

FLORENCE 1 LIGHT TABLE LAMP

SKU# 260280

Rated Voltage 220-240V~ 50Hz

Thank you for purchasing this quality Lucci product. To ensure correct function and safety, please read and follow all instructions carefully before assembly, installation and use of this product. Please keep the instructions for future reference.

Warranty

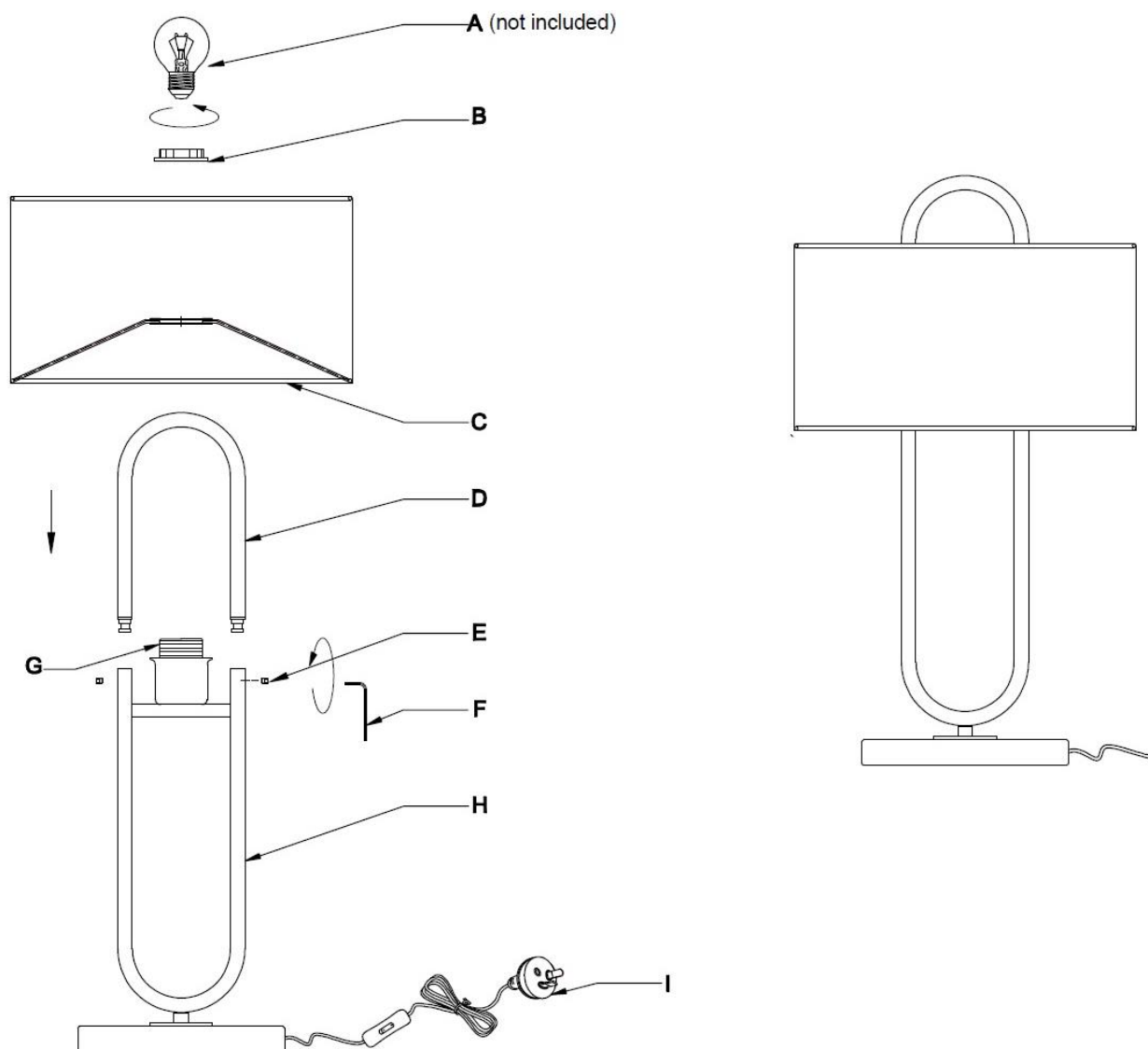
- This portable luminaire is covered by a 12-month warranty valid for in-store replacement or refund only.
- The warranty period starts from the date of purchase. Please retain the proof of purchase.
- Warranty will be void if there is any damage due to improper usage or modification to the portable luminaire.
- Failure to comply with the instructions in this manual may increase the risk of damage or injury and will void the warranty.

Installation Requirements

- Select a suitable location for this portable luminaire:
 - Ensure it is on a flat and stable surface.
 - This portable luminaire is suitable for indoor use only.
 - Do not place flammable material near or over the portable luminaire.
 - Ensure the portable luminaire is not installed in direct line of an air vent/system.
 - If the portable luminaire is placed in an area prone to moisture, ensure that the area is well ventilated, and an appropriately rated exhaust fan is used if required. Damage or corrosion caused by moisture is not a product fault, and as such is not covered under warranty.
- Do not exceed the maximum wattage rating.
- Take care not to pull any electrical wires during unpacking as this may damage the connection.
- Lay out all the components on a smooth surface and make sure no components are missing before assembling. If parts are missing, return the complete product to the place of purchase for inspection or replacement.
- Check whether the luminaire has been damaged during transport. Do not operate/install any product which appears damaged in any way. Return the complete product to the place of purchase for inspection, repair or replacement.
- Do not plug into the mains power socket-outlet before or during assembly. Only do so after the portable luminaire is fully assembled with the globe installed and is ready to use for the first time.

Installation Directions

1. Remove all packaging material from the portable luminaire and the lamp shade (C).
2. Install the top half (D) of the luminaire onto the bottom half (H) of the luminaire and secure the grub screws (E) with the supplied Allen key (F).
3. Remove the lamp holder ring (B) from the lamp holder (G).
4. Install the lamp shade (C) onto the lamp holder (G) and secure using the lamp holder ring (B).
5. Install a globe (A - not included) into the lamp holder (G). Do not exceed the maximum rated wattage
6. Select a suitable location for the portable luminaire. See the installation requirements above.
7. Insert the plug (I) into the mains power socket outlet and ensure it is fully plugged in.
8. Turn the power on at the mains power socket outlet.
9. Use the cord line switch to turn the portable lamp on/off.



Safety Tips

- Always ensure the power is OFF and the portable luminaire has cooled down before performing any maintenance, cleaning, changing the globe or making any adjustment to the portable luminaire.
- The external flexible cable or cord of this luminaire cannot be replaced; if the cable or cord is damaged, the luminaire shall be destroyed.
- Young children should be supervised to ensure that they do not play with the portable luminaire.
- Handle the portable luminaire and shade with care to avoid any damage or breakage.
- Select a suitable location away from liquids and hazards.
- To clean, wipe with a soft damp cloth. Do NOT soak or immerse the product in water or other liquids.
- Ensure that the fitting does not come in contact with corrosive chemicals/solvents or abrasive cleaners etc.

Specifications

SKU #	260280
Rated Voltage	220-240V~ 50Hz
Rated Wattage	45W Max.
Lamp Holder	ES / E27
Weight	3.3kg
Dimensions	H:570mm Dia:330mm