

SPACE II LED FLOOR LAMP

SKU# 261144, 261145, 261146

Rated Voltage 12V DC

Thank you for purchasing this quality Lucci product. To ensure correct function and safety, please read and follow all instructions carefully before assembly, installation and use of the product. Please keep the instructions for future reference.

Warranty

- This product is covered by a 3 year warranty. Please retain proof of purchase.
- Warranty will be void if there is any damage due to improper usage or modification to the product.
- Failure to comply with the instructions in this manual may increase the risk of damage or injury and will void warranty.

Installation requirements

- Select a suitable location for the luminaire;
 - Ensure it is on a flat and stable surface.
 - This product is suitable for indoor use only.
 - Do not place flammable material near or over the luminaire.
 - Ensure the luminaire is not placed next to any air vents and is not in any moist or damp areas.
- Only use the supplied plug in LED driver with this luminaire.
- Take care not to pull any electrical wires during unpacking as this may damage the connection.
- Lay out all the components on a smooth surface and make sure there are no components missing before assembling.
If parts are missing, return the complete product to the place of purchase for inspection or replacement.
- Check whether the luminaire has been damaged during transport. Do not operate any product which appears damaged in any way. Return the complete product to the place of purchase for inspection, repair or replacement.
- Do not plug into the mains power socket outlet before or during assembly. Only do so after the portable lamp is fully assembled and ready to use for the first time.

Installation directions

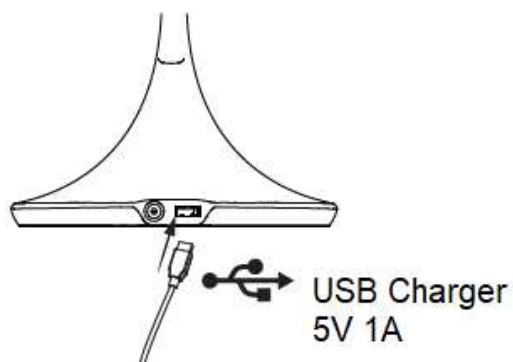
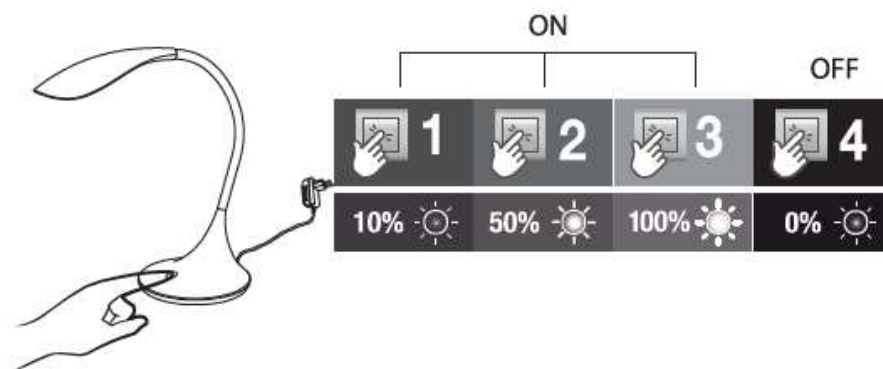
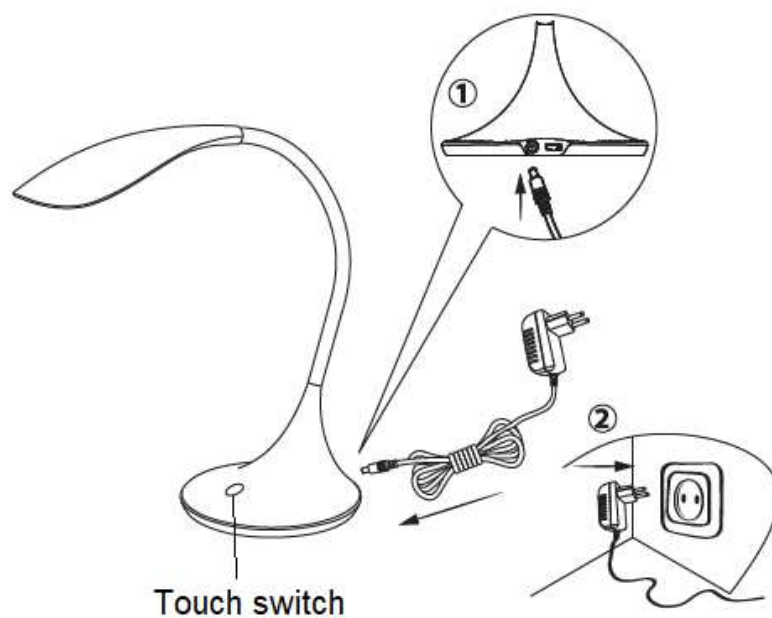
Operation of the portable lamp:

1. Connect the quick connector of the adaptor to the luminaire.
2. Insert the adaptor into the mains socket outlet and ensure it is fully plugged in.
3. Press the touch button once to turn the lamp on.
4. Press the touch button again to dim the light accordingly. This luminaire has a 3-step dimming function (10% - 50% - 100%).
5. Press the touch button to turn the lamp off.
6. Adjust the lamp head to your preferred lighting angle.

Operation of the USB charger:

You can charge your electronic device via the USB outputs on the base of the luminaire. The output is rated DC 5V/1A. (Refer to the instruction manual of your device for the required charge current)

Note: If the charge current of your device is over the limit of the rated current, the charger will be self-protected. In this case, your device will not charge unless you reconnect according to the rated output.



Safety tips

- Always ensure the power is OFF and the luminaire has cooled down before performing any maintenance, cleaning or adjustment to the luminaire.
- To avoid injury or damage to the luminaire, ensure that power leads and screws are secure before connecting the power.
- Young children should be supervised to ensure that they do not play with the portable lamp.
- Handle the luminaire and/or shade with care to avoid any damage or breakage.
- Select a suitable location away from liquids and hazards.
- Ensure that the luminaire does not come in contact with corrosive chemicals/solvents or abrasive cleaners etc.
- To clean, wipe with a damp clean cloth. Never soak the luminaire with water.

Specifications

SKU #	261144	261145	261146
Model #	DE13112H10-WH	DE13112H10-BL	DE13112H10-SIL
Colour	WHITE	BLACK	SILVER
Rated Voltage	12V DC		
Rated Power	Max.11.5W		
USB Charger	5V, 1A		
LED Specs	4.5W, 400 Lumens, 3000K Warm White 3-step dimming (10%-50%-100%)		
Weight	1.2kg		
Dimensions	H: 400mm W: 170mm L: 220mm		