

LEDlux Frisco

SKU# 261198, 261199

Rated Voltage 24V  1000mA

Thank you for purchasing this quality Lucci product. To ensure correct function and safety, please read and follow all instructions carefully before assembly, installation and use. Please keep the instructions for future reference.

Warranty

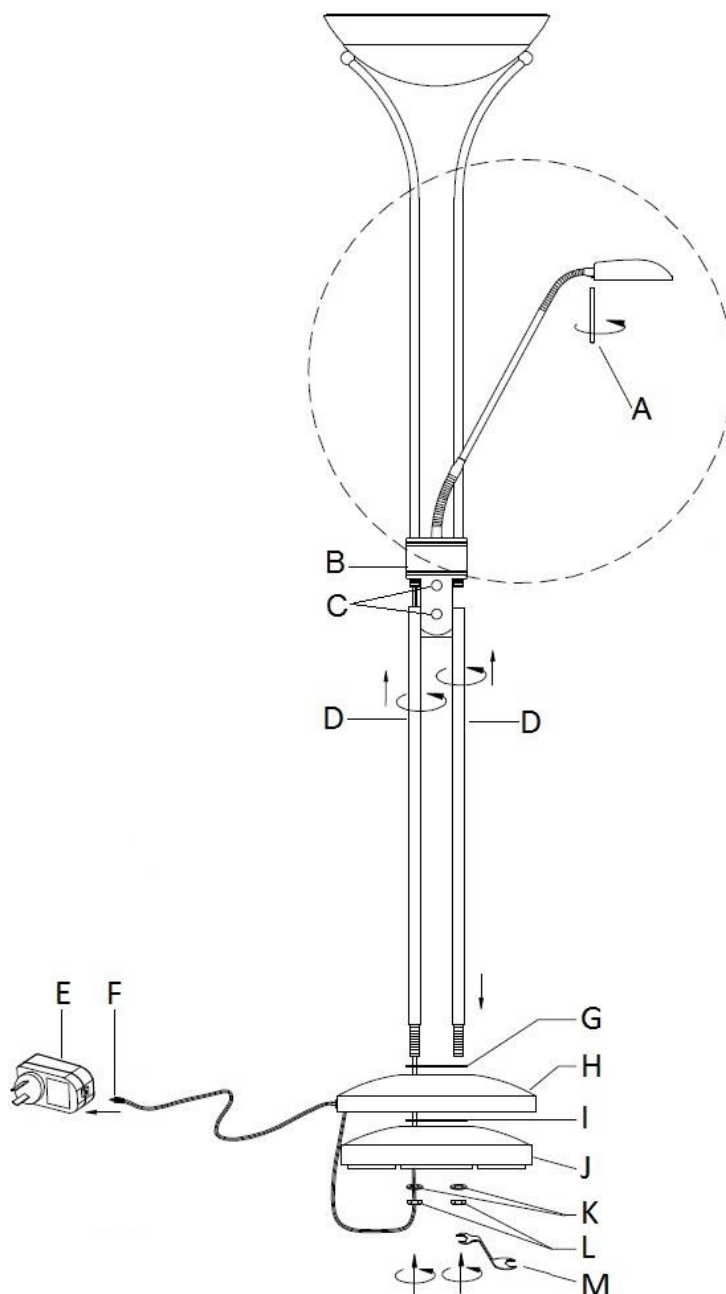
- This fitting is covered by a 3 year warranty from the date of purchase.
- Please retain proof of purchase and return to the store for any warranty enquiries.
- Warranty will be void if there is any damage due to improper usage or modification to the fitting.
- Failure to comply with the instructions in this manual may increase the risk of damage or injury and will void warranty.

Installation Requirements

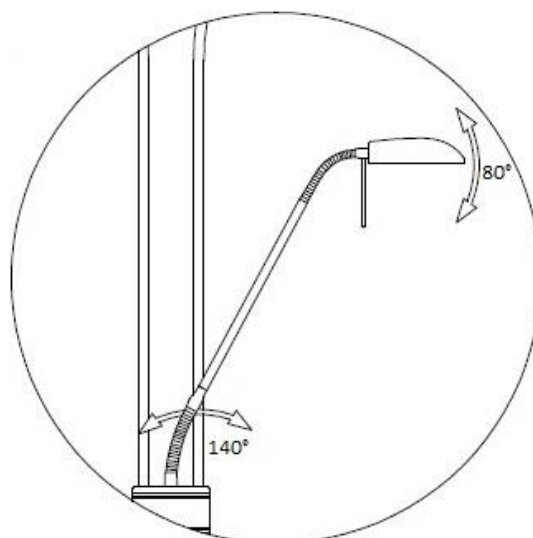
- Select a suitable location for installation;
 - Ensure it is on a flat and stable surface.
 - This product is suitable for indoor use only.
 - Do not place flammable material near or over the fitting.
 - Ensure the fitting is not installed in direct line of an air vent/system and is not placed in any moist or damp areas.
- Take care not to pull any electrical wires during unpacking as this may damage the connection.
- Lay out all the components on a smooth surface and make sure there are no components missing before assembling. If parts are missing, return the complete product to the place of purchase for inspection or replacement.
- Check whether the fitting has been damaged during transport. Do not operate/install any product which appears damaged in any way. Return the complete product to the place of purchase for inspection, repair or replacement.
- Do not plug into the mains power socket outlet before or during assembly. Only do so after the portable lamp is fully assembled and ready to use for the first time.

Installation Directions

1. Remove all packaging material from the product.
2. To help with assembly, lay the fitting on its side, on a smooth non scratch surface.
3. Pull the cord out from the bottom of the base as you assemble the fitting to remove any slack in the cord. Take care not to cross thread or twist and damage the cord.
4. Attach both rods (D) to the switch mechanism (B).
5. Insert the bracket (G) onto the bottom of the rods (D).
6. Place another bracket (I) over the lamp base (J) followed by the lamp base cover (H).
7. Insert the washers (K) followed by the nuts (L) onto the end of the rods (D) and secure them with the spanner (M) which is included.
8. Install the adjusting handle (A) onto the head of the smaller lamp.
9. Once fully assembled, pull the excess cable out from the bottom of the lamp and out through the side of the base.
10. Insert the plug (F) into the LED driver (E).
11. Select a suitable location for the light fitting. See the installation requirements above.
12. Insert the LED driver (E) into the socket outlet and ensure it is fully plugged in.
13. Turn power on at the socket outlet.
14. Adjust the smaller lamp to the desired angle. Do not adjust the arm more than 140° and head more than 80° as this may damage the internal wires. (See diagram on the next page.)
15. Use the switches (C) to turn both the lamps on/off.



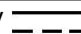
NOTE: When adjusting the arm or the head of the fitting, do not adjust more than the angle shown below as this may damage the internal wires.



Safety Tips

- Always ensure the power is OFF and the fitting has cooled down before performing any maintenance, cleaning or making any adjustment to the fitting.
- The external flexible cable or cord of this luminaire cannot be replaced; if the cable or cord is damaged, the luminaire shall be destroyed.
- To avoid injury or damage to the fitting, ensure that power leads and screws are secure before connecting the power.
- Young children should be supervised to ensure that they do not play with the portable lamp.
- Handle the fitting and/or shade with care to avoid any damage or breakage.
- Select a suitable location away from liquids and hazards.
- Ensure that the fitting does not come in contact with corrosive chemicals, etc.
- To clean, wipe with a damp clean cloth. Never soak the fitting with water.

Specifications

SKU #	261198	261199
Colour	Brushed Chrome	Black
Rated Voltage	24V  1000mA	
Rated Wattage	27W	
LEDs	1700 lumens, 3000K, Dimmable, Non-replaceable	
Weight	9.0kg	
Dimensions	H:1800mm W:600mm MAX	