

BALLY 3LT FLOOR LAMP

SKU# 261505, 261506

Rated Voltage 220-240V~ 50Hz

Thank you for purchasing this quality Lucci product. To ensure correct function and safety, please read and follow all instructions carefully before assembly, installation and use of this product. Please keep the instructions for future reference.

Warranty

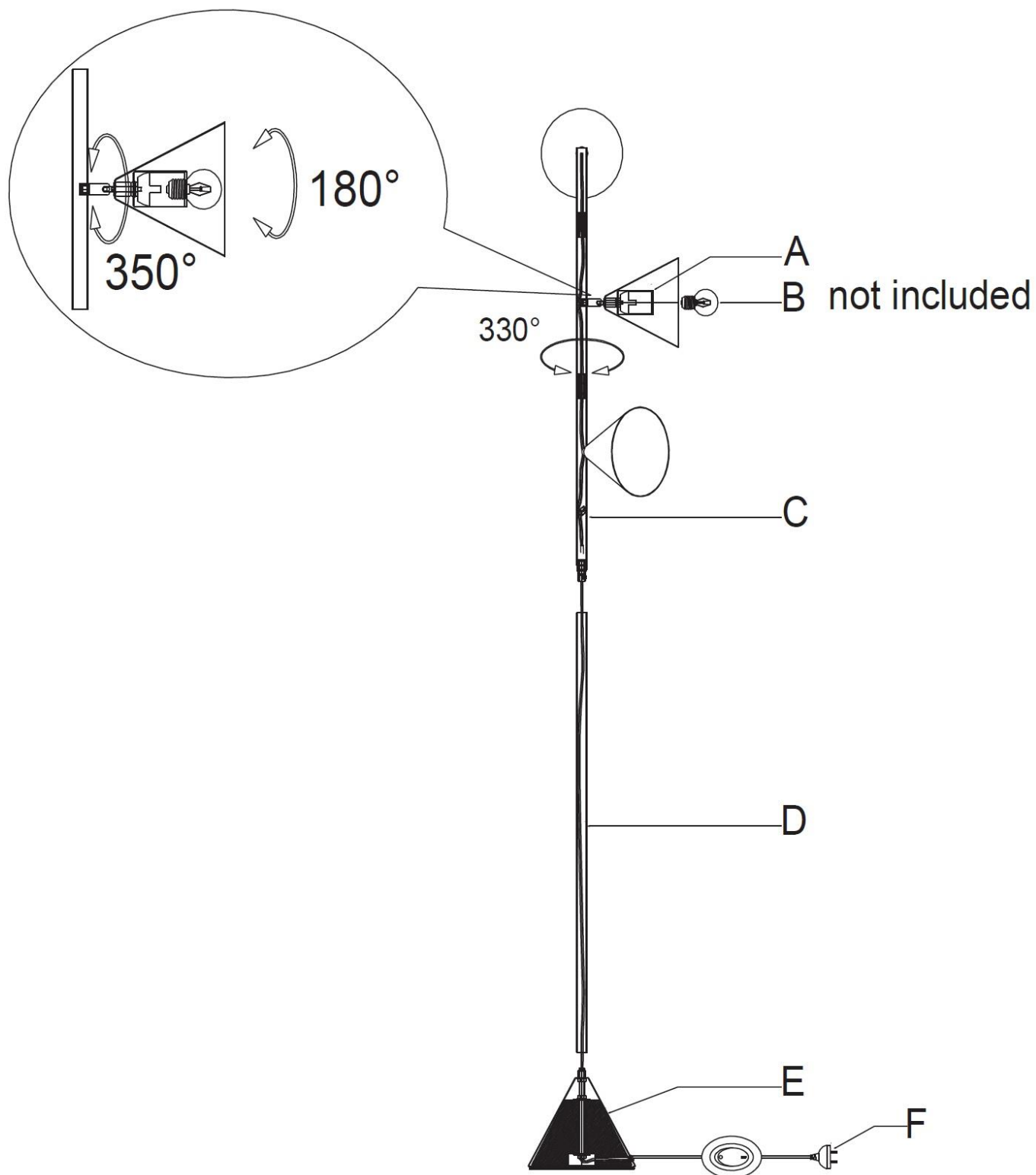
- This luminaire is covered by a 12 month warranty from the date of purchase. Please retain proof of purchase.
- Warranty will be void if there is any damage due to improper usage or modification to the luminaire.
- Failure to comply with the instructions in this manual may increase the risk of damage or injury and will void warranty.

Installation Requirements

- Select a suitable location for this luminaire:
 - Ensure it is on a flat and stable surface.
 - This luminaire is suitable for indoor use only.
 - Do not place flammable material near or over the luminaire.
 - Ensure the luminaire is not installed in direct line of an air vent/system.
 - If the luminaire is placed in an area prone to moisture, ensure that the area is well ventilated and an appropriately rated exhaust fan is used if required. Damage or corrosion caused by moisture is not a product fault, and as such is not covered under warranty.
- Do not exceed the maximum wattage rating.
- Take care not to pull any electrical wires during unpacking as this may damage the connection.
- Lay out all the components on a smooth surface and make sure there are no components missing before assembling. If parts are missing, return the complete product to the place of purchase for inspection or replacement.
- Check whether the luminaire has been damaged during transport. Do not operate/install any product which appears damaged in any way. Return the complete product to the place of purchase for inspection, repair or replacement.
- Do not plug into the mains power socket outlet before or during assembly. Only do so after the luminaire is fully assembled with the globe installed and is ready to use for the first time.

Installation Directions

1. Remove all packaging material from the product and be careful not to throw away accessories that may be hidden within the packaging material. Place the luminaire on a smooth non-scratch surface to help with assembly.
2. Install the top half of the luminaire (C) onto the bottom half of the luminaire (D), followed by the base (E). Pull the cord out from the bottom as you assemble to remove any slack in the cord. Take care not to cross thread or twist and damage the cord.
3. Install globes (B - not included) into the lamp holders (A). Do not exceed the maximum rated wattage.
4. Select a suitable location for the portable luminaire. See the installation requirements above.
5. Insert the plug (F) into the mains power socket outlet and ensure it is fully plugged in.
6. Adjust the shades to your desired angle.
NOTE: Do not adjust the head more than 180° and do not rotate the head more than 350° as this may damage the knuckle joint or damage the internal wiring.
NOTE: Do not rotate the top part of the luminaire more than 330° as this may damage the internal wiring.
7. Turn power on at the mains power socket outlet.
8. Use the cord line foot switch to turn the luminaire on/off.



NOTE: Do not adjust the more than 180° and do not rotate the head more than 350° as this may damage the knuckle joint or damage the internal wiring.

NOTE: Do not rotate the top part of the luminaire more than 330° as this may damage the internal wiring.

Safety Tips

- Always ensure the power is OFF and the luminaire has cooled down before performing any maintenance, cleaning, changing the globe or making any adjustment to the luminaire.
- The external flexible cable or cord of this luminaire cannot be replaced; if the cable or cord is damaged, the luminaire shall be destroyed.
- Young children should be supervised to ensure that they do not play with the portable lamp.
- Handle the luminaire and/or shade with care to avoid any damage or breakage.
- Select a suitable location away from liquids and hazards.
- To clean, wipe with a soft damp cloth. Do NOT soak or immerse the product in water or other liquids.
- Ensure that the luminaire does not come in contact with corrosive chemicals/solvents or abrasive cleaners etc.

Specifications

SKU #	261505	261506
Colour	Matte White	Matte Black
Rated Voltage	220-240V~ 50Hz	
Rated Wattage	135W Max. (3x Max. 45W)	
Lamp Holder	ES / E27	
Weight	5.2kg	
Dimensions	H:1730mm L:360mm W:200mm	