

YORKE FLOOR LAMP

SKU# 269167

Rated Voltage 220-240V~ 50Hz

Thank you for purchasing this quality Lucci product. To ensure correct function and safety, please read and follow all instructions carefully before assembly, installation and use of this product. Please keep instructions for future reference.

Warranty

- This fitting is covered by a 12 month warranty from the date of purchase. Please retain proof of purchase.
- Warranty will be void if there is any damage due to improper usage or modification to the fitting.
- Failure to comply with the instructions in this manual may increase the risk of damage or injury and will void warranty.

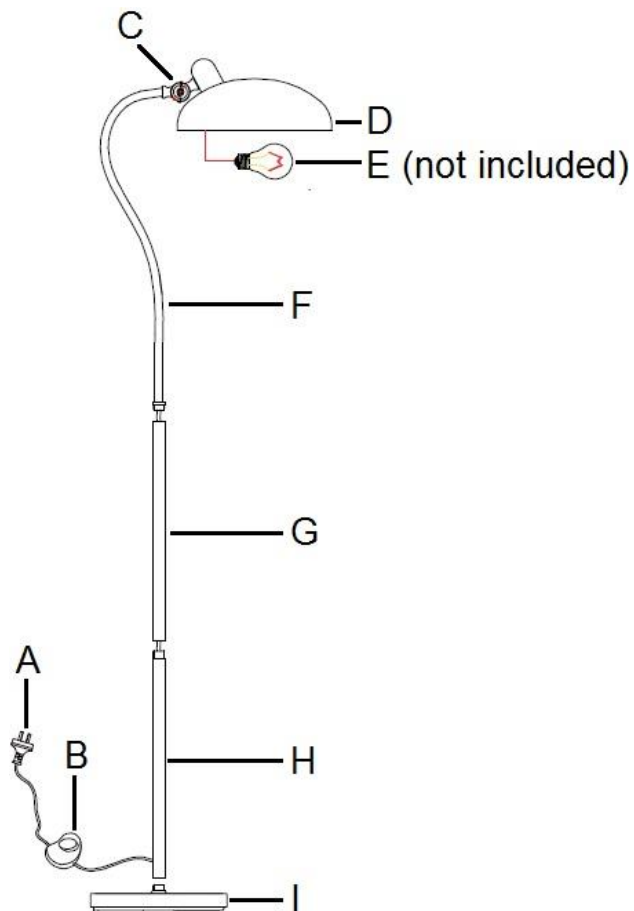
Installation requirements

- Select a suitable location for installation:
 - Ensure it is on a flat and stable surface.
 - This product is suitable for indoor use only.
 - Do not place flammable material near or over the fitting.
 - Ensure the fitting is not installed in direct line of an air vent/system.
 - If the fitting is placed in an area prone to moisture, ensure that the area is well ventilated and an appropriately rated exhaust fan is used if required. Damage or corrosion caused by moisture is not a product fault, and as such is not covered under warranty.
- Do not exceed the maximum wattage rating.
- Take care not to pull any electrical wires during unpacking as this may damage the connection.
- Lay out all the components on a smooth surface and make sure there are no components missing before assembling. If parts are missing, return the complete product to the place of purchase for inspection or replacement.
- Check whether the fitting has been damaged during transport. Do not operate/install any product which appears damaged in any way. Return the complete product to the place of purchase for inspection, repair or replacement.
- Do not plug into the mains power socket outlet before or during assembly. Only do so after the portable lamp is fully assembled with the globe installed and is ready to use for the first time.

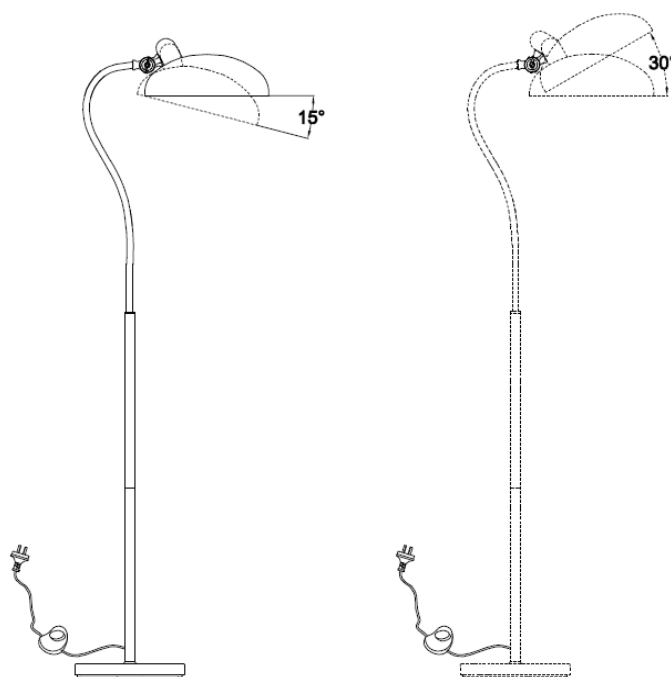
Installation directions

1. Remove all packaging material from the product.
2. To help with assembly, lay the fitting on its side on a smooth non scratch surface.
3. Install the centre rod (G) onto the top part of the fitting (F), followed by the bottom rod (H) and then onto the base (I). Pull the cord out from the bottom rod (H) as you assemble to remove any slack in the cord. Take care not to cross thread or twist and damage the cord during assembly.
4. Adjust the shade (D) of the fitting by loosening the locking nut (C).
Never adjust the shade (D) without first loosening the locking nut (C).
Never adjust the shade (D) more than 45° as this may damage the internal wires.
5. After adjusting the shade (D) to the desired angle, re-tighten the locking nut (C).
The shade may be hot to touch during normal operation. Turn off the fitting and allow it to cool down before making any adjustment to the fitting.
6. Ensure that the fitting is well balanced and will not tip over easily.
7. Install a globe (E - not included) into the lamp holder. Do not exceed the maximum wattage rating.
8. Insert the plug (A) into the mains power socket outlet and ensure it is fully plugged in.
9. Turn power on at the mains power socket outlet.
10. Use the cord line switch (B) to turn on/off the table lamp.

NOTE: The locking nut (C) must be loosened before adjusting the angle of the shade (D).
If the locking nut (C) is not loosened before the shade (D) is adjusted, it may damage the locking nut (C) and the warranty will be void.



NOTE: When adjusting the shade (D), do not adjust more than 45° as this may damage the internal wires.



Safety tips

- Always ensure the power is OFF and the fitting has cooled down before performing any maintenance, cleaning, changing the globe or making any adjustment to the fitting.
- To avoid injury or damage to the fitting, ensure that power leads and screws are secure before connecting the power.
- Young children should be supervised to ensure that they do not play with the portable lamp.
- Handle the fitting and/or shade with care to avoid any damage or breakage.
- Select a suitable location away from liquids and hazards.
- Ensure that the fitting does not come in contact with corrosive chemicals, etc.
- To clean, wipe with a damp clean cloth. Never soak the fitting with water.

Specifications

SKU #	269167
Rated Voltage	220-240V~ 50Hz
Rated Wattage	45W Max.
Lamp Holder	ES / E27
Weight	5.0kg
Dimensions	H:1530mm MAX W:280mm