

GLOW LED CANDLES (3 PACK)

SKU# 269295, 269296

Rated Voltage 3.0V

Thank you for purchasing this quality Lucci product. To ensure correct function and safety, please read and follow all instructions carefully before assembly, installation and use of this product. Please keep the instructions for future reference.

Warranty

- This product is covered by a 12-month warranty valid for in-store replacement or refund only.
- The warranty period starts from the date of purchase. Please retain the proof of purchase for any warranty enquires.
- Warranty will be void if there is any damage due to improper usage or modification to the product.
- Failure to comply with the instructions in this manual may increase the risk of damage or injury and will void warranty.

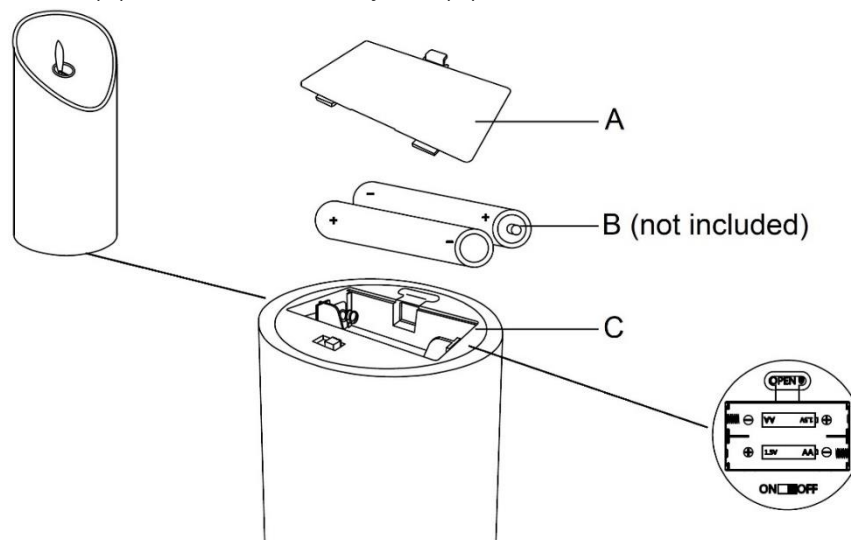
Installation Requirements

- **Candle Battery:** Total of 6x 1.5V AA battery (not included). 2x 1.5V AA battery (not included) for each candle.
- **Remote Battery:** CR2025 button battery (included)
- Select a suitable location for this product:
 - This product is not waterproof.
 - This product is suitable for indoor use only.
 - Keep away from liquids, dusty, humid or hot areas.
 - Keep out of direct sunlight. These LED candles are made from wax and they can melt if placed in sunlight for prolonged periods of time.
- Lay out all the components on a smooth surface and make sure there are no components missing. If parts are missing, return the complete product to the place of purchase for inspection or replacement.
- Check whether the product has been damaged during transport. Do not operate/install any product which appears damaged in any way. Return the complete product to the place of purchase for inspection, repair or replacement.

Battery Installation/Replacement

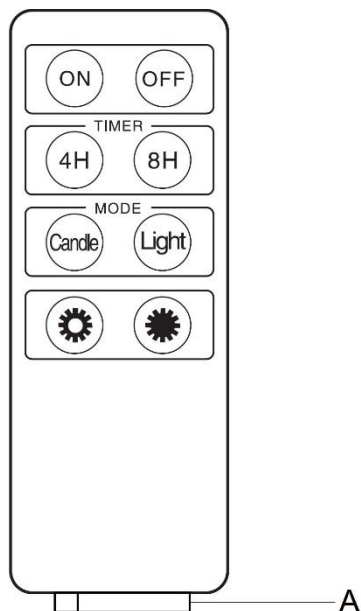
CANDLE BATTERY - Total: 6x AA batteries (not included)

1. At the base of the candle, pull the tab and lift out the battery box lid (A) from the battery box (C).
2. Install 2x AA batteries (B – not included) into the battery box (C). Ensure the batteries are inserted with the correct polarity.
3. Install the battery box lid (A) back over the battery box (C) and ensure it is secure.



REMOTE BATTERY – 1x CR2025 battery (included)

1. At the base of the remote, push the tab to the side and pull the battery cover (A) out from the remote.
2. Install 1x CR2025 button battery into the battery cover (A). Ensure the battery is installed with the correct polarity.
3. Install the battery cover (A) back into the remote and ensure it is secure.



Operation Directions

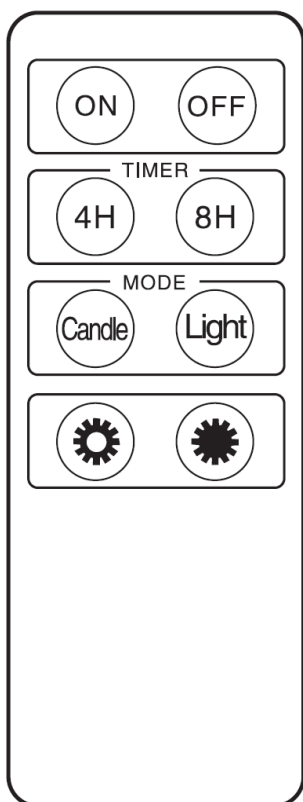
MANUAL OPERATION

At the base of the candle, use the ON/OFF switch to turn the product ON or OFF.

REMOTE OPERATION

The switch as the base of candle must be ON to use the remote.

The remote must be pointed directly at the candle to operate.



ON Turn candle ON.

OFF Turn candle OFF.

4H Timer function – Will automatically turn off after 4 hours.

8H Timer function – Will automatically turn off after 8 hours.

Candle Candle mode – Light will flicker.

Light Light mode – Light will be steady.

Increase brightness.

Decrease brightness.

Battery Tips

- If the battery box lid or remove cover has been cracked or damaged, do not continue to use this product.
- Always replace a full set of batteries:
 - Do not mix old/used batteries and new batteries.
 - Do not mix different battery brands.
 - Do not mix different battery types (e.g. alkaline with lithium or other battery types).
- Batteries shall only be installed or replaced by an adult or under adult supervision.
- Do not use rechargeable batteries in this product.
- The supply terminals are not to be short-circuited.
- Ensure the batteries are inserted with the correct polarity.
- Remove batteries from the product when not in use for long periods of time.
- When the product is not in use, turn it OFF at the base of the candle. This will increase the battery life.

Safety Precautions for Battery



WARNING – KEEP OUT OF REACH OF CHILDREN




- **CAUTION!** – Do not ingest coin/button battery – Chemical burn hazard.
- **The remote supplied with this product contains a coin/button battery.**
- If the coin/button battery is swallowed, it may lead to serious injury in as little as 2 hours or death, due to chemical burns and potential perforation of the esophagus.
- If you suspect your child has swallowed or inserted a coin/button battery inside any part of the body, immediately call the Australian Poisons Information Centre on **13 11 26** for fast, expert advice, 24-hours, 7 days a week.
- Keep new and used batteries away from children.
- Dispose of flat or used batteries immediately and safely (so they cannot be retrieved by children). Flat or used batteries can still be dangerous. Contact your local council to safely dispose of the battery.
- Regularly check the remote supplied with this product and make sure the battery compartment is correctly secured, e.g. that the screw or other mechanical fastener is tightened. If the battery compartment does not close securely, stop using the product and keep it away from children.
- Battery Leaks: Battery contains chemicals and should be treated as any chemical would. Take precautions when handling leaked battery chemicals. Battery chemicals should not be placed near the eyes or ingested. Contact the Australian Poisons Information Centre on **13 11 26** for fast, expert advice, 24-hours, 7 days a week.
- Tell others about the risk associated with button batteries and how to keep their children safe.

Safety Tips and Warnings

- This product is NOT a toy. Keep out of reach of small children. NOT recommended for children aged 3 and under.
- Young children should be supervised to ensure that they do not play with this product.
- This product is for decorative purposes only.
- This product is not suitable to be painted.
- Handle the product with care, do not squeeze, bend or drop the product as this may damage the internal components.
- The LEDs are not replaceable and there are no serviceable parts, do not attempt to dismantle or open the product.
- To clean, wipe with a soft damp cloth or duster. Do NOT soak or immerse the product in water or other liquids.
- Ensure that the product does not come in contact with corrosive chemicals/solvents or abrasive cleaners etc.

Specifications

SKU#	269295	269296
Colour	White	Ivory
Rated Voltage	3.0V 	
Rated Wattage	0.6W	
Battery - Candle	2x 1.5V AA batteries (not included) – Each candle	
Battery - Remote	1x CR2025 (included)	
Weight	0.2kg	
Dimensions	Small: H:100mm Dia:73mm Medium: H128mm Dia:73mm Large: 151mm Dia:73mm	