

LENNOX LED TABLE LAMP

SKU# 269427, 269428

Rated Voltage 220-240V~ 50Hz

Thank you for purchasing this quality Lucci product. To ensure correct function and safety, please read and follow all instructions carefully before assembly, installation and use of this luminaire. Please keep instructions for future reference.

Warranty

- This portable luminaire is covered by a 3-year warranty valid for in-store replacement or refund only.
- The warranty period starts from the date of purchase. Please retain the proof of purchase.
- Warranty will be void if there is any damage due to improper usage or modification to the portable luminaire.
- Failure to comply with the instructions in this manual may increase the risk of damage or injury and will void the warranty.

Installation Requirements

- Select a suitable location for the portable luminaire:
 - Ensure it is on a flat and stable surface.
 - This portable luminaire is suitable for indoor use only.
 - Do not place flammable material near or over the portable luminaire.
 - Ensure the portable luminaire is not installed in direct line of an air vent/system.
 - If the portable luminaire is placed in an area prone to moisture, ensure that the area is well ventilated, and an appropriately rated exhaust fan is used if required. Damage or corrosion caused by moisture is not a product fault, and as such is not covered under warranty.
- Take care not to pull any electrical wires during unpacking as this may damage the connection.
- Lay out all the components on a smooth surface and make sure no components are missing before assembling. If parts are missing, return the complete product to the place of purchase for inspection or replacement.
- Check whether the luminaire has been damaged during transport. Do not operate/install any product which appears damaged in any way. Return the complete product to the place of purchase for inspection, repair or replacement.
- Do not plug into the mains power socket outlet before or during assembly. Only do so after the portable luminaire is fully assembled and is ready to use for the first time.

Installation Directions

1. Remove all packaging material from the portable luminaire.
2. Select a suitable location for your portable lamp. See the requirements above.
3. Adjust the luminaire arm (C) according to your requirement.

NOTE: Do not swing the arm (C) more than 190° to the left and 110° to the right, as this may damage the knuckle joint or the internal wiring.

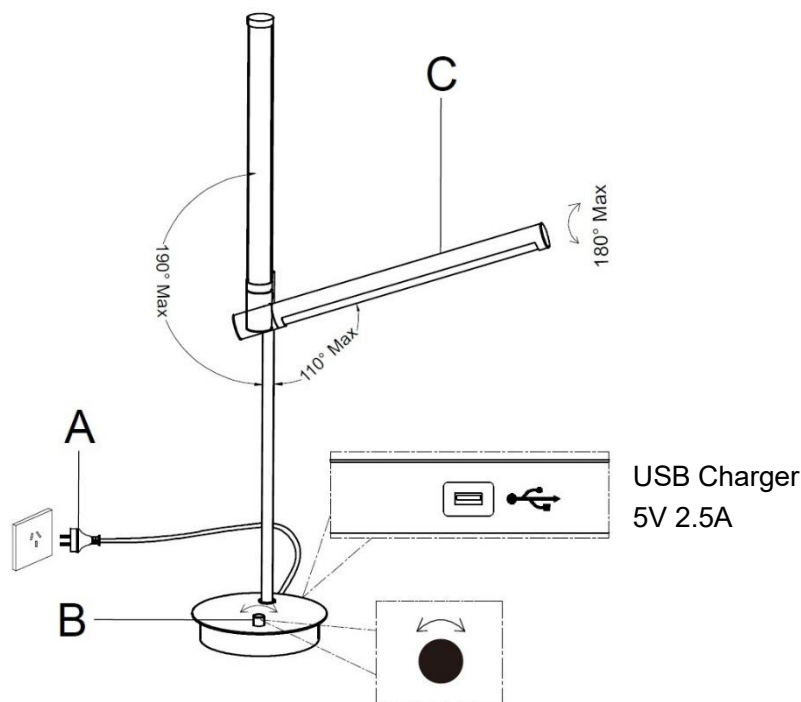
NOTE: Do not rotate the arm (C) more than 180°, as this may damage the knuckle joint or the internal wiring

4. Insert the plug (A) into the mains power socket outlet and ensure it is fully plugged in.
5. Turn on the mains power socket outlet.
6. Use the rotary dimmer switch (B) to turn the portable luminaire ON/OFF and to adjust the brightness level.

Operation of the USB charger:

You can charge your electronic device via the USB output on the base of the luminaire. The output is rated DC 5V 2.5A. (Refer to the instruction manual of your electronic device for the required charging current)

NOTE: If the charge current of your device is over the limit of the rated current, the charger will be self-protected. In this case, your device will not charge unless you reconnect according to the rated output.



NOTE: Do not adjust the arm (C) more than 190° to the left and 110° to the right, as this may damage the knuckle joint or the internal wiring.

NOTE: Do not rotate the arm (C) more than 180°, as this may damage the knuckle joint or the internal wiring.

NOTE: If the charging current of your device is over the limit of the rated current, the charger will be self-protected. In this case, your device will not charge unless you reconnect according to the rated output.

Safety Tips

- Always ensure the power is OFF and the portable luminaire has cooled down before performing any maintenance, cleaning or making any adjustment to the portable luminaire.
- The external flexible cable or cord of this luminaire cannot be replaced; if the cable or cord is damaged, the luminaire shall be destroyed.
- To avoid injury or damage to the luminaire, ensure that power leads and screws are secure before connecting the power.
- Young children should be supervised to ensure that they do not play with the portable luminaire.
- Handle the luminaire and shade with care to avoid any damage or breakage.
- Select a suitable location away from liquids and hazards.
- To clean, wipe with a soft damp cloth. Do NOT soak or immerse the product in water or other liquids.
- Ensure that the luminaire does not come in contact with corrosive chemicals/solvents or abrasive cleaners etc..
- The light source of this luminaire is not replaceable; when the light source reaches its end of life, the whole luminaire shall be replaced. There are no serviceable parts, do not attempt to dismantle or open the luminaire.

Specifications

SKU #	269427	269428
Colour	Matte Black	Antique Brass Finish
Rated Voltage	220-240V~ 50Hz	
Rated Wattage	22.5W (10W LED light + 12.5W USB charger)	
USB Charger	5V 2.5A	
LED Specs	550 lumens, Warm White 3000K, CRI>80, Dimmable	
Weight	1.7kg	
Dimensions	H:830mm L:170mm W:470mm	