

SCALA 1 LIGHT TABLE LIGHT

SKU# 269700, 269701

Rated Voltage 220-240V~ 50Hz

Thank you for purchasing this quality Lucci product. To ensure correct function and safety, please read and follow all instructions carefully before assembly, installation and use of this product. Please keep the instructions for future reference.

Warranty

- This portable luminaire is covered by a 12-month warranty valid for in-store replacement or refund only.
- The warranty period starts from the date of purchase. Please retain the proof of purchase.
- Warranty will be void if there is any damage due to improper usage or modification to the portable luminaire.
- Failure to comply with the instructions in this manual may increase the risk of damage or injury and will void the warranty.

Installation Requirements

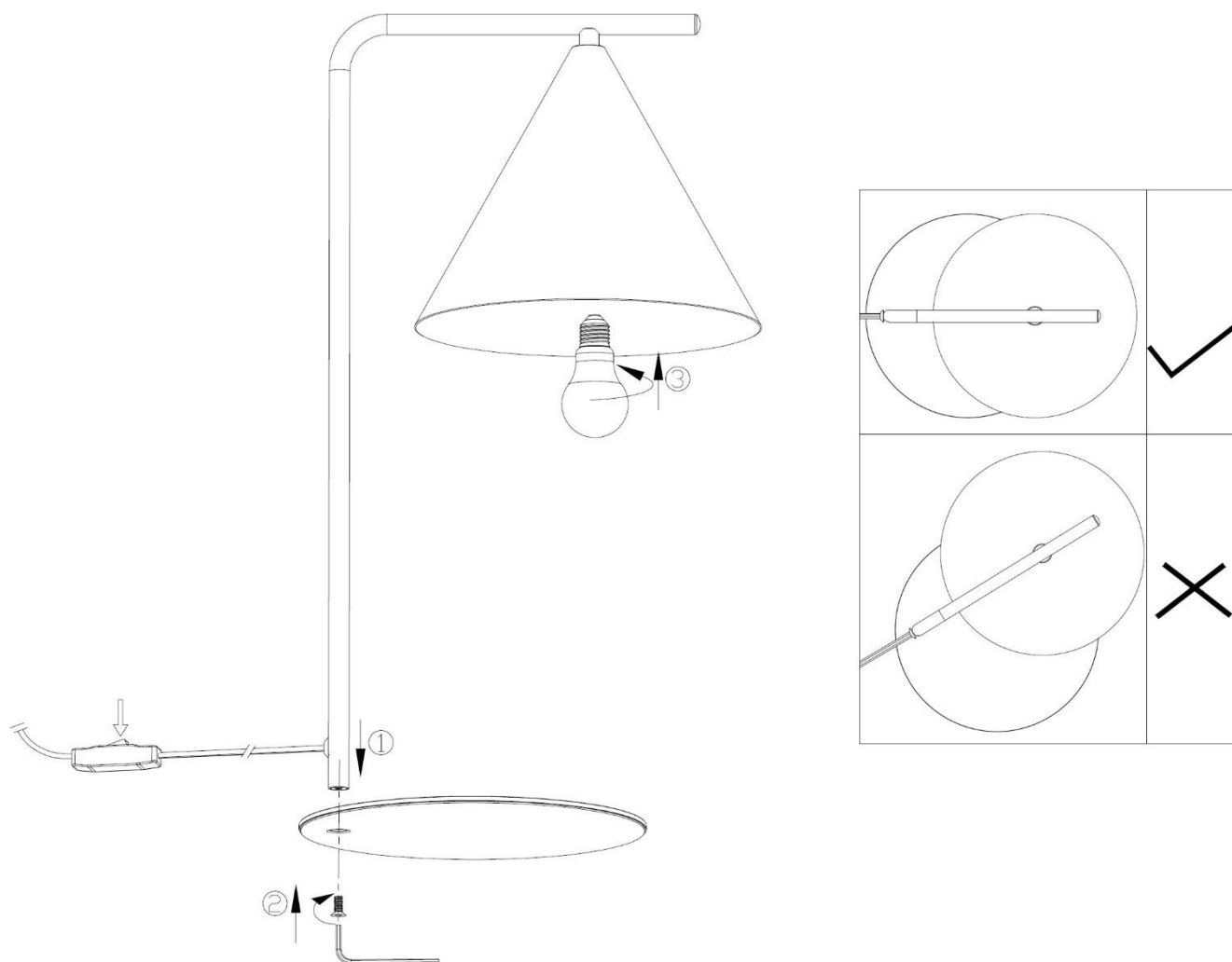
- Select a suitable location for this portable luminaire:
 - Ensure it is on a flat and stable surface.
 - This portable luminaire is suitable for indoor use only.
 - Do not place flammable material near or over the portable luminaire.
 - Ensure the portable luminaire is not installed in the direct line of an air vent/system.
 - If the portable luminaire is placed in an area prone to moisture, ensure that the area is well ventilated, and an appropriately rated exhaust fan is used if required. Damage or corrosion caused by moisture is not a product fault, and as such is not covered under warranty.
- Do not exceed the maximum wattage rating.
- Take care not to pull any electrical wires during unpacking as this may damage the connection.
- Lay out all the components on a smooth surface and make sure no components are missing before assembling. If parts are missing, return the complete product to the place of purchase for inspection or replacement.
- Check whether the luminaire has been damaged during transport. Do not operate/install any product which appears damaged in any way. Return the complete product to the place of purchase for inspection, repair or replacement.
- Do not plug into the mains power socket-outlet before or during assembly. Only do so after the portable luminaire is fully assembled with the globe installed and is ready to use for the first time.

Installation Directions

1. Remove all packaging material from the portable luminaire.
2. Place the portable luminaire on its side to help with assembly and ensure it is on a smooth non-scratch surface.
3. Install the luminaire onto the base and secure by tightening the hex screw with the allen key provided.
4. Check and ensure the luminaire is aligned straight and centred over the base.

NOTE: If the luminaire is not aligned correctly this will affect the stability of the portable lamp.

5. Install a LED globe (not included) into the lamp holder. Do not exceed the maximum wattage rating.
6. Select a suitable location for the portable luminaire. See the installation requirements above.
7. Insert the plug into the mains power socket outlet and ensure it is fully plugged in.
8. Turn the power on at the mains power socket outlet.
9. Use the cord line switch to turn the portable lamp on/off.



Safety Tips

- Always ensure the power is OFF and the portable luminaire has cooled down before performing any maintenance, cleaning, changing the globe or making any adjustment to the portable luminaire.
- The external flexible cable or cord of this luminaire cannot be replaced; if the cable or cord is damaged, the luminaire shall be destroyed.
- Young children should be supervised to ensure that they do not play with the portable luminaire.
- Handle the portable luminaire and shade with care to avoid any damage or breakage.
- Select a suitable location away from liquids and hazards.
- To clean, wipe with a soft damp cloth. Do NOT soak or immerse the product in water or other liquids.
- Ensure that the product does not come in contact with corrosive chemicals/solvents or abrasive cleaners etc.

Specifications

SKU #	269700	269701
Art. No.	205479N	205478N
Colour	White	Black
Rated Voltage	220-240V~ 50Hz	
Rated Wattage	15W Max. (LED only)	
Lamp Holder	ES / E27	
Weight	2.0kg	
Dimensions	H:500mm Dia:295mm	