


BEAM SMART FLOOR LAMP

SKU# 269705, 269706

Rated Voltage 24V  1.0A

To ensure correct function and safety, please read and follow all instructions carefully before assembly, installation and use of the product. Please keep the instructions for future reference.

Warranty

- This portable luminaire is covered by a 3-year warranty valid for in-store replacement or refund only.
- The warranty period starts from the date of purchase. Please retain the proof of purchase.
- Warranty will be void if there is any damage due to improper usage or modification to the portable luminaire.
- Failure to comply with the instructions in this manual may increase the risk of damage or injury and will void the warranty.

Installation Requirements

- Select a suitable location for the portable luminaire:
 - Ensure it is on a flat and stable surface.
 - This portable luminaire is suitable for indoor use only.
 - Do not place flammable material near or over the portable luminaire.
 - Ensure the portable luminaire is not installed in direct line of an air vent/system.
 - If the portable luminaire is placed in an area prone to moisture, ensure that the area is well ventilated, and an appropriately rated exhaust fan is used if required. Damage or corrosion caused by moisture is not a product fault, and as such is not covered under warranty.
- Only use the supplied plug in LED driver with this luminaire.
- Take care not to pull any electrical wires during unpacking as this may damage the connection.
- Lay out all the components on a smooth surface and make sure no components are missing before assembling. If parts are missing, return the complete product to the place of purchase for inspection or replacement.
- Check whether the luminaire has been damaged during transport. Do not operate/install any product which appears damaged in any way. Return the complete product to the place of purchase for inspection, repair or replacement.
- Do not plug into the mains power socket outlet before or during assembly. Only do so after the portable luminaire is fully assembled and is ready to use for the first time.

Installation Directions

1. Remove all packaging material from the luminaire.
2. Select a suitable location for the luminaire. See the installation requirements above.
3. Install the luminaire (A) into the base (B) and secure by tightening the screws (C) with a Phillips head screwdriver (D – not included)
4. Adjust the head to the desired height and angle. (See the diagram on the bottom of the next page)
NOTE: When adjusting the head, do not rotate more than 330° as this may damage the internal wires.
When adjusting the body, do not bend more than 15° as this may damage the internal wires.
When adjusting the body, do not rotate more than 300° as this may damage the internal wires.
5. Insert the connector (F) into the base of the floor lamp.
6. Insert the LED driver (G) into the mains socket outlet and ensure it is fully plugged in.
7. Turn power on at the mains power socket outlet.
8. Double press the touch switch (E) to turn the luminaire ON or OFF.

9. Short press the touch switch (E) to change between the 4 different scene settings:

SLEEP: 2200K at 330 lumens.

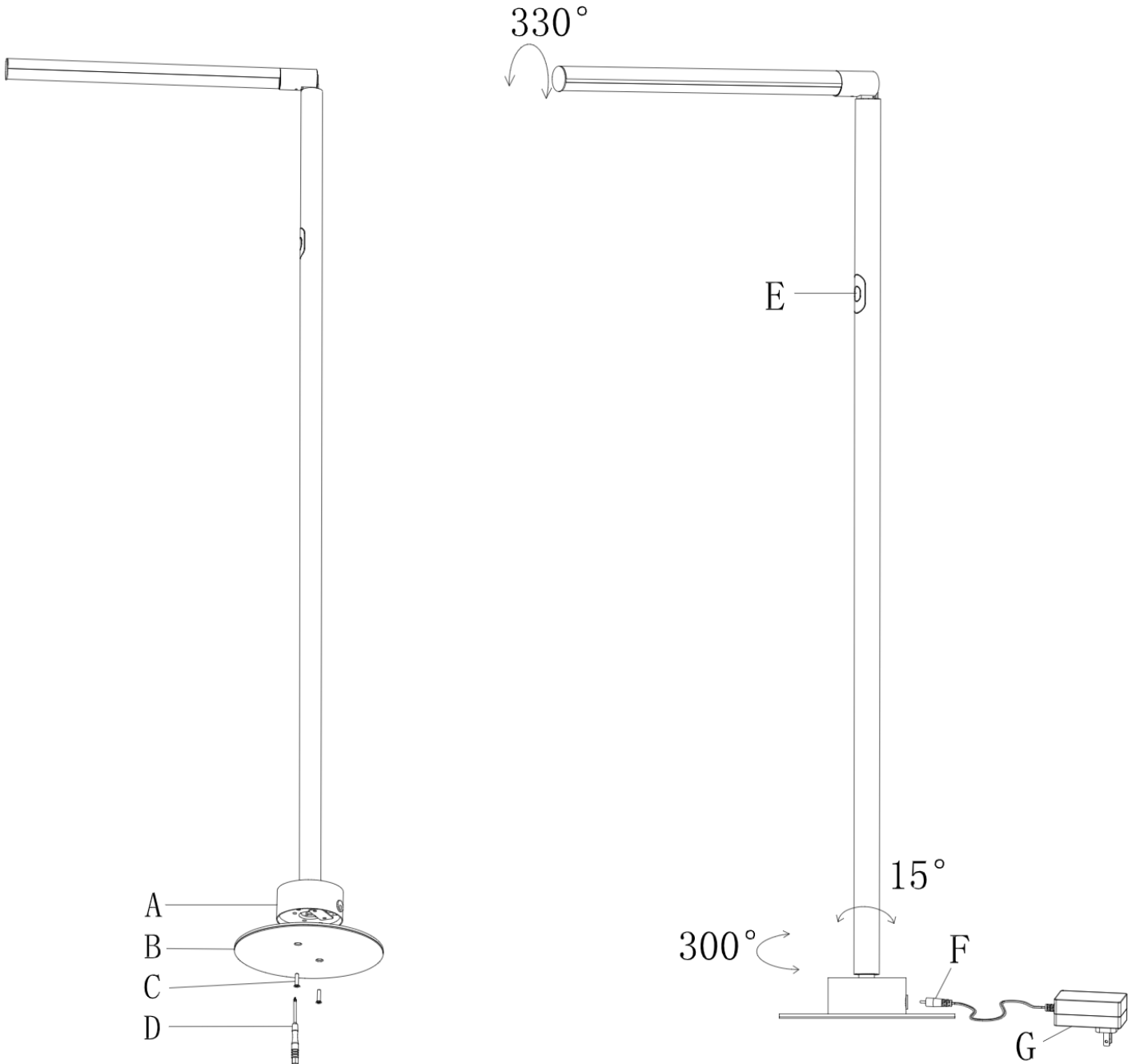
NIGHT: 3000K at 1310 lumens.

DAY: 5000K at 1380 lumens.

COLOUR: Cycle through 7 different colours.

NOTE: Using the touch switch to operate this portable luminaire will only cycle through the different scene settings. For full control/function such as dimming, colour temperature, LED colours; the Lucci Connect APP is required.

10. Refer to the Lucci Connect User Guide for the installation and use of the Lucci Connect APP.




NOTE: When adjusting the head, do not rotate more than 330° as this may damage the internal wires.
When adjusting the body, do not bend more than 15° as this may damage the internal wires.
When adjusting the body, do not rotate more than 300° as this may damage the internal wires.

Safety Tips

- Always ensure the power is OFF and the portable luminaire has cooled down before performing any maintenance, cleaning or making any adjustment to the portable luminaire.
- The external flexible cable or cord of this luminaire cannot be replaced; if the cable or cord is damaged, the luminaire shall be destroyed.
- To avoid injury or damage to the luminaire, ensure that power leads and screws are secure before connecting the power.
- Young children should be supervised to ensure that they do not play with the portable luminaire.
- Handle the luminaire and shade with care to avoid any damage or breakage.
- Select a suitable location away from liquids and hazards.
- To clean, wipe with a soft damp cloth. Do NOT soak or immerse the product in water or other liquids.
- Ensure that the luminaire does not come in contact with corrosive chemicals/solvents or abrasive cleaners etc.
- The light source of this luminaire is not replaceable; when the light source reaches its end of life, the whole luminaire shall be replaced. There are no serviceable parts, do not attempt to dismantle or open the luminaire

Specifications

SKU #	269705	269706
Colour	Black	White
Rated Voltage	24V  1.0 A (must use the supplied LED driver)	
Rated Wattage	24W Max.	
Connectivity	Bluetooth 5.2 or Wi-Fi 2.4GHz	
LED Specs	Colour Switching LEDs, CRI≥90, Dimmable via Lucci Connect APP.	
LED Specs	SLEEP: 2200K at 330 lumens. NIGHT: 3000K at 1310 lumens. DAY: 5000K at 1380 lumens. COLOUR: Cycle through 7 different colours.	
Weight	2.8kg	
Dimensions	H:1368mm W:250mm L:580mm	