

## SALINA LED FLOOR LAMP

SKU# 269892

Rated Voltage 24V 

To ensure correct function and safety, please read and follow all instructions carefully before assembly, installation and use of this luminaire. Please keep the instructions for future reference.

### Warranty

- This portable luminaire is covered by a 3-year warranty valid for in-store replacement or refund only.
- The warranty period starts from the date of purchase. Please retain the proof of purchase.
- The warranty will be void, if there is any damage due to improper usage or modification to the portable luminaire.
- Failure to comply with the instructions in this manual may increase the risk of damage or injury and will void the warranty.

### Installation Requirements

- Select a suitable location for this portable luminaire:
  - Ensure it is on a flat and stable surface.
  - This portable luminaire is suitable for indoor use only.
  - Do not place flammable material near or over the portable luminaire.
  - Ensure the portable luminaire is not installed in direct line of an air vent/system.
  - If the portable luminaire is placed in an area prone to moisture, ensure that the area is well ventilated, and an appropriately rated exhaust fan is used if required. Damage or corrosion caused by moisture is not a product fault, and as such is not covered under warranty.
- Only use the supplied plug in LED driver with this luminaire.
- Take care not to pull any electrical wires during unpacking as this may damage the connection.
- Lay out all the components on a smooth surface and make sure there are no components missing before assembling. If parts are missing, return the complete product to the place of purchase for inspection or replacement.
- Check whether the luminaire has been damaged during transport. Do not operate/install any luminaire which appears damaged in any way. Return the complete product to the place of purchase for inspection, repair or replacement.
- Do not plug into the mains power socket outlet before or during assembly. Only do so after the luminaire is fully assembled and is ready to use for the first time.

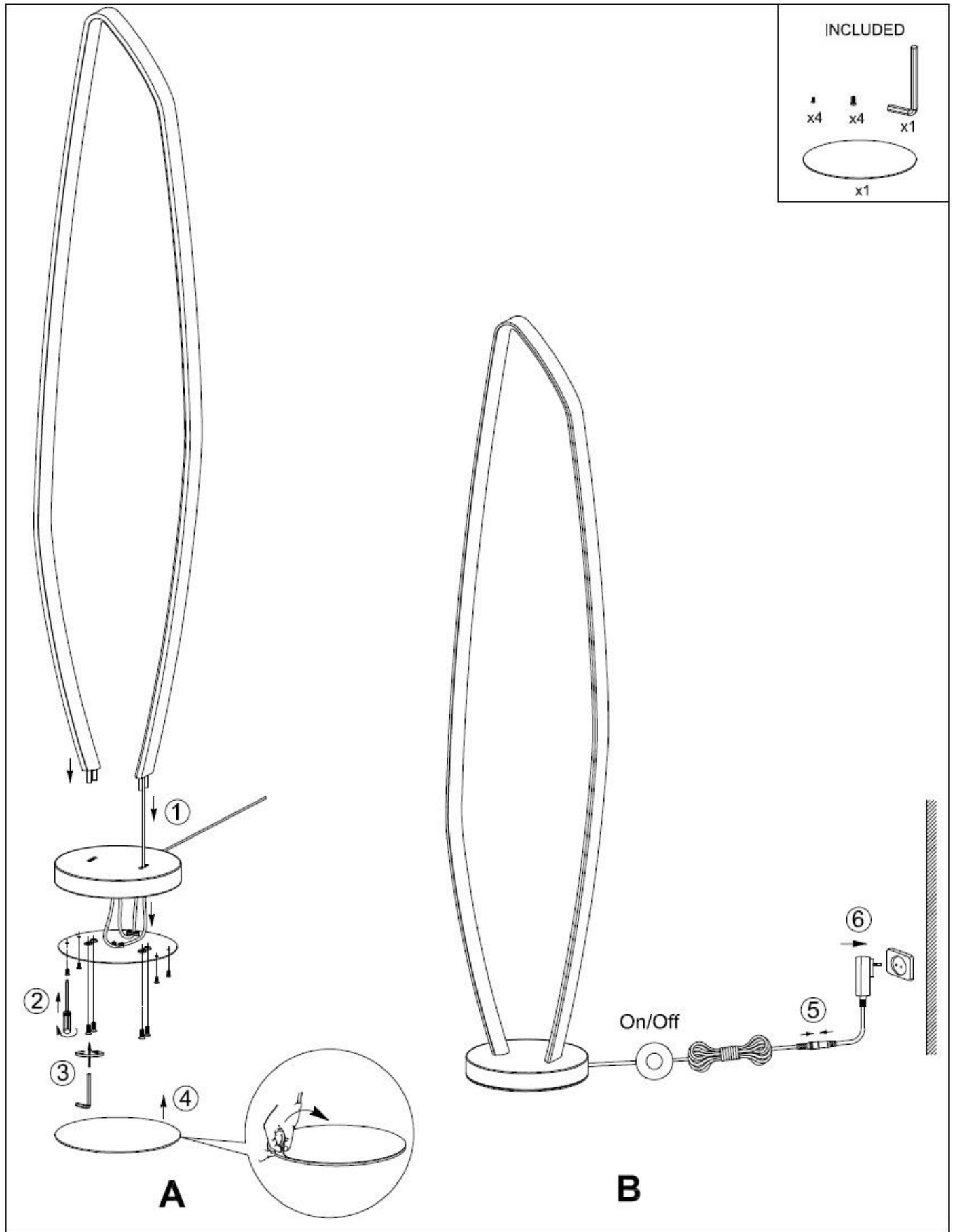
### Installation Directions

Remove all packaging material from the product and be careful not to throw away accessories that may be hidden within the packaging material. Place the portable luminaire on a smooth non-scratch surface to help with assembly.

1. Install the top section of the luminaire onto the base, pull the cord out from the base to remove any slack.
2. Secure the top section of the luminaire by tightening the screws at the bottom of the base.
3. Install the bottom cover plate onto the bottom of the base and secure by tightening the hex screws with the allen key provided.

**NOTE: Take care not to squash any of the internal wiring when install the bottom cover plate.**

4. Remove the adhesive backing from the circular luminaire mat and stick onto the bottom of the luminaire base.
5. Connect the DC connectors from the luminaire and plug in LED driver together.
6. Insert the plug in LED driver into socket outlet and ensure it is fully plugged in and secure.
7. Use the cord line switch to turn the portable luminaire ON/OFF.



## Safety Tips

- Always ensure the power is OFF and the portable luminaire has cooled down before performing any maintenance, cleaning or making any adjustment to the portable luminaire.
- If the external flexible cable or cord of this luminaire is damaged, it shall be exclusively replaced by the manufacturer or his service agent or a similar qualified person in order to avoid a hazard.
- The light source of this luminaire is not replaceable; when the light source reaches its end of life the whole luminaire shall be replaced. There are no serviceable parts, do not attempt to dismantle or open the luminaire.
- To avoid injury or damage to the luminaire, ensure that power leads and screws are secure before connecting the power.
- Young children should be supervised to ensure that they do not play with the portable luminaire.
- Handle the luminaire and shade with care to avoid any damage or breakage.
- Select a suitable location away from liquids and hazards.
- To clean, wipe with a soft damp cloth. Do NOT soak or immerse the product in water or other liquids.
- Ensure that the luminaire does not come in contact with corrosive chemicals/solvents or abrasive cleaners etc.

## Specifications

SKU #	269892
Art. No.	206416N
Rated Voltage	24V
Rated Wattage	25W Max.
LED Specs	1100 lumens, 3000K Warm White, CRI≥80
Weight	2.5kg
Dimensions	H:1285mm W:290mm L:200mm