

## COLE ALARM CLOCK & WIRELESS CHARGER

SKU# 280213, 280214, 280215

Rated Voltage 4 x 1.5V AAA battery OR 5V 1.5A DC

Thank you for purchasing this quality Lucci product. To ensure correct function and safety, please read and follow all instructions carefully before assembly, installation and use of this product. Please keep the instructions for future reference.

### Warranty

- This product is covered by a 12-month warranty from the date of purchase. Please retain proof of purchase.
- Warranty will be void if there is any damage due to improper usage or modification to the product.
- Failure to comply with the instructions in this manual may increase the risk of damage or injury and will void warranty.

### Installation Requirements

- **Powered by 6V DC (4 x 1.5 AAA batteries not included) OR 5V DC 1.5A (USB cable included)**  
**NOTE: A CR2032 Button battery is contained ONLY for memorizing the clock/settings. No replacement is required for this battery if the product is regularly powered by AAA batteries and/or USB input. Refer to the section about the safety information of button batteries.**
- Select a suitable location for this product:
  - This product is not waterproof.
  - This product is suitable for indoor use only.
  - Keep away from liquids, dusty, humid, direct sun light, cooking areas or hot areas.
- Lay out all the components on a smooth surface and make sure there are no components missing. If parts are missing, return the product to the place of purchase for inspection or replacement.
- Check whether the product has been damaged during transport. Do not operate/install any product which appears damaged in any way. Return the complete product to the place of purchase for inspection, repair or replacement.

### Operation Directions

#### Battery installation/Replacement

1. Open the lid of the battery compartment on the back of the product.
2. Install 4 x AAA batteries into the battery compartment. Ensure the batteries are inserted with the correct polarity.
3. Install the lid back over the battery compartment and ensure it is secure.
4. Alternative, the product can be powered by 5V DC via the provided USB cable.

**NOTE:** Please ensure an appropriate power adaptor / device is used according to the rated input (5V DC, 1.5A) of this product.

#### Settings & Operation

##### **A. Display mode setting**

Short press the SET key to set the three different display mode dP-1, dP-2:

- dP-1 mode: The LED display will show the time, room temperature and the Year/Month/Date rotationally.
- dP-2 mode: The LED display will show the time and temperature only.

##### **B. Time and Calendar, and Temperature setting**

Long press the SET key for 3 seconds to enter the setting mode. Use the UP/DOWN key to adjust the alarm, time, date, and 12/24 hours mode.

Press the UP key to set the Celsius and Fahrenheit unit of the temperature.

##### **C. Brightness adjustment**

Long press the UP key until the L1 is displayed. Press the DOWN key to reduce the brightness level to L2, L3. Brightness can be increased again by pressing the UP key.

# Installation Instructions

## D. Power saving mode

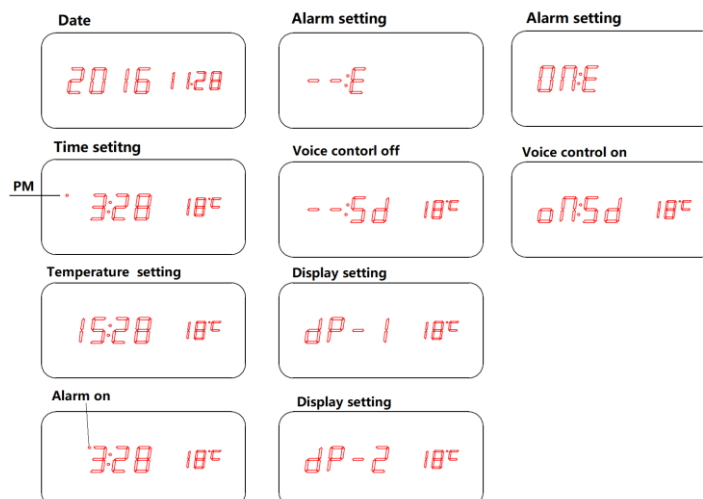
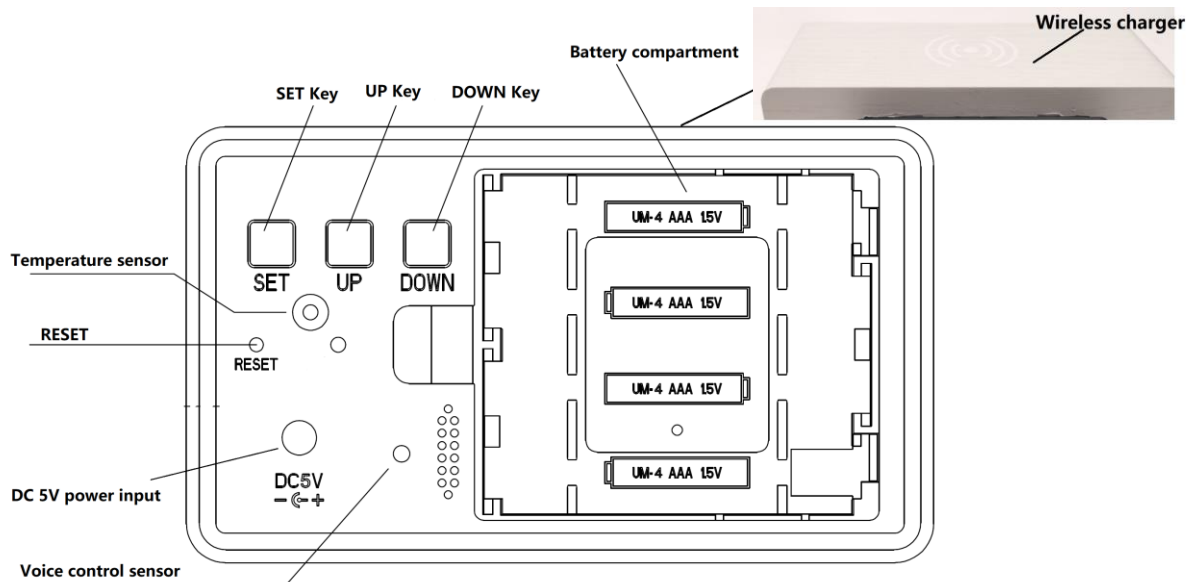
Press the DOWN key to set the power saving mode.

- oNSd mode: The LED display will be switched off after 30 seconds. Display can be activated if the external sound/voice over 60dB.

- --Sd mode: The LED display will be always on.

## E. RESET Button

Press the RESET Button to reset to the factory default setting.



## Wireless Charging:

NOTE: Wireless charging function only works when the device is powered via the DC 5V power input.

Place your device on the wireless charging area. Make sure the device is over the circle symbol.

Charging will activate automatically. Check the status of your device to ensure charging is activated.

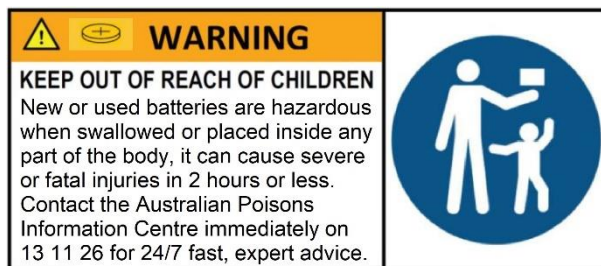
NOTE: The wireless charger is rated 5V DC, 1.0A. And it is only compatible with Qi-compatible devices. Only charge your compatible devices. If unsure, check the user manual of your device.

**NOTE: Slightly adjust the position of your device if charging is not activated.**

**WARNING: DO not place any other metal objects on the wireless charging area.**

## Battery Tips and Warnings

- **WARNING – KEEP BATTERIES OUT OF REACH OF CHILDREN.**
- **CAUTION – Do not ingest battery—Chemical burn hazard.**
- If the coin/button cell battery is swallowed, it can cause severe internal burns in just 2 hours and can lead to death due to chemical burns and potential perforation of the oesophagus.
- If you think batteries might have been swallowed or placed inside any part of the body, seek immediate medical attention.
- If you suspect your child has swallowed or inserted a button battery, immediately call the 24-hour Poisons Information Centre on **13 11 26** for fast, expert advice.
- Regularly check the product and make sure the battery box lid is correctly secured. If the battery compartment does not close securely, stop using the product and keep it away from children.
- If the battery box lid has been cracked or damaged, do not continue to use this product.
- Dispose of used batteries immediately and safely (so they cannot be retrieved by children). Flat batteries can still be dangerous.
- Keep new and used batteries away from children.
- Batteries shall only be installed or replaced by an adult. Battery box lid must be tightened after replacement.
- Do not use rechargeable batteries in this product.
- Ensure the batteries are inserted with the correct polarity.
- Dispose of used button batteries immediately and safely. Flat batteries can still be dangerous.



## Safety Tips and Warnings

- **This product is NOT a toy. Keep out of reach of small children.**
- **Young children should be supervised to ensure that they do not play with the product.**
- To clean, wipe with a soft dry cloth or duster. Do NOT soak or immerse the product in water or other liquids.
- Ensure that the product does not come in contact with corrosive chemicals/solvents or abrasive cleaners etc.
- Dispose of exhausted batteries immediately and safely (so they cannot be retrieved by children). Contact your local council to safely dispose of the battery.

## Specifications

SKU #	280213	280214	280215
Colour	White	Teak	Black
Rated voltage / battery	6V DC (4 x 1.5 AAA batteries not included) OR 5V DC 1.5A (USB cable included) Built-in CR2032 button battery for memory function (Included)		
Wireless charger	DC 5V 1.0A		
Weight	0.3kg		
Dimensions	H:70mm L:160mm W: 70mm		