

15-MIN RUN ON TIMER

SKU# 291013

Rated Voltage 220-240V~ 50Hz

To ensure correct function and safety, please read and follow all instructions carefully before assembly, installation and use of this run on timer. Please keep instructions for future reference.

Warranty

- This product is covered by a 12-month warranty. The warranty is from date of purchase, not the date of installation.
- If the product is not installed by a licensed electrician, the warranty will be void.
- Please retain proof of purchase and evidence of installation by a licensed electrician for any warranty enquiries.
- Warranty will be void if there is any damage due to improper usage or modification to the product.
- Failure to comply with the instructions in this manual may increase the risk of damage or injury and will void the warranty.

Installation Requirements

- **Must be wired and installed by a licensed electrician and in accordance with the current local and national wiring rules. AS/NZS 3000 Electrical Installations (the latest edition).**
- This timer must be installed within a wall mounted electrical flush box or inside the fan, where it cannot be accessed.
- An isolation wall switch must be included in the wiring installation. The isolation wall switch allows disconnecting of the run on timer and loads from the mains 240VAC power during maintenance and cleaning of the connected load.
- This timer is only suitable for motor loads.
- This timer is NOT suitable for resistive loads, capacitive loads, combination loads or ballasted lamp loads.
- This product is suitable for indoor use only.

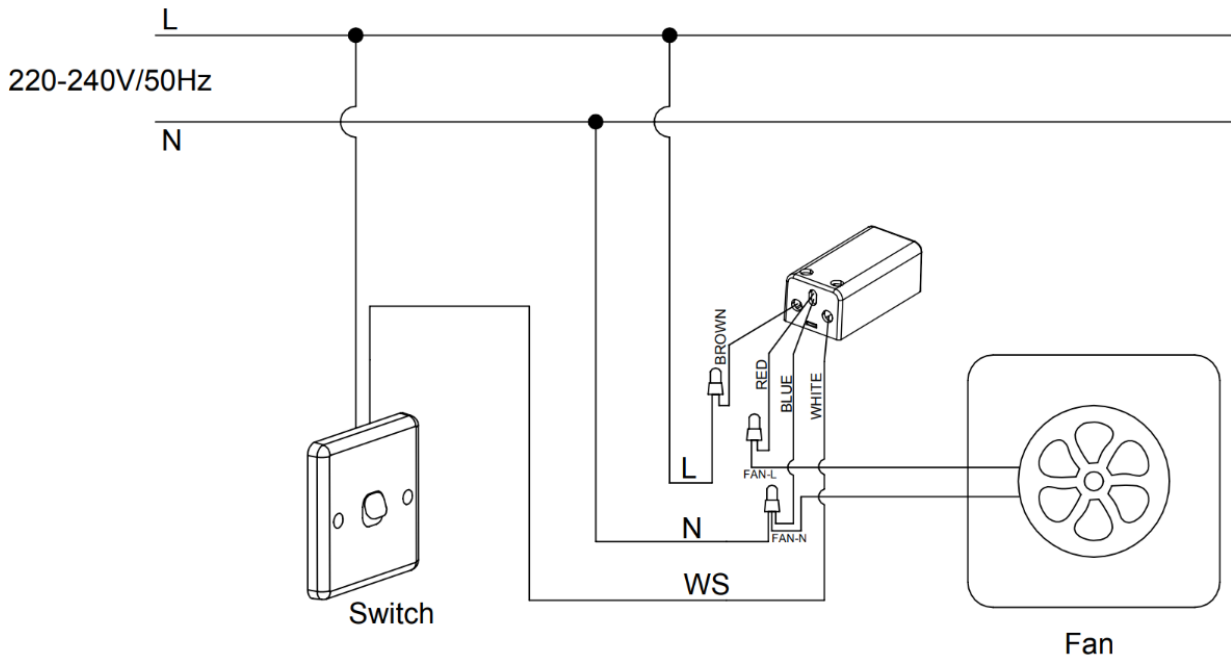
Installation & Operation Directions**WARNING – HIGH VOLTAGE**

- **Power to the circuit must be switched OFF at the switchboard before the installation. Household power can cause SERIOUS INJURY or DEATH.**
- **Wiring must meet all local and national electrical wiring codes.**

ELECTRICAL CONNECTION

1. Ensure power to the circuit you are working on is disconnected at the switchboard.
2. This run on timer requires a Neutral connection.
3. Connect the run-on timer as shown in the wiring diagram on page 2.
4. Ensure each wire is connected to the corresponding terminal:
Mains Live (L), Mains Neutral (N), Wall Switch Live (WS), Fan Live (FAN-L), Fan Neutral (FAN-N).
5. Test the run on timer function to ensure it is fully operational:
 - a. Turn the connected motor load ON.
 - b. Turn the connected motor load OFF.
 - c. The connected motor load will remain ON and turn OFF after 15 minutes.

Wiring Diagram



NOTE:

- **An isolation wall switch must be included in the wiring installation. The isolation wall switch allows disconnecting of the run on timer and loads from the mains 240VAC power during maintenance and cleaning of the connected load.**
- **This timer must be installed within a wall mounted electrical flush box or inside the fan, where it cannot be accessed.**

Changing Function Modes:

The timer is preset to **Delay-Off Mode**. This mode will automatically turn the fan OFF after 15 minutes.

To Deactivate Delay-Off Mode:

1. Turn the timer **ON**.
2. Quickly switch the timer **OFF and ON** 5 times in a row, with no more than **1.5 seconds** between each switch.

To Reactivate Delay-Off Mode:

1. Turn the timer **ON**.
2. Quickly switch the timer **OFF and ON** 5 times in a row, with no more than **1.5 seconds** between each switch.

Specifications

SKU#	291013
Rated Voltage	220-240V~ 50Hz
Rated Wattage	60W (Motor Load only)
Delay Off Time	Preset to 15 minutes
Switching Type	Without contact gap (semiconductor switching device)