

WIFI & RF REMOTE CONTROL FOR CEILING FAN

SKU# 299041

Rated Voltage 220V - 240V~ 50Hz

Thank you for purchasing this quality Lucci product. To ensure correct function and safety, please read and follow all instructions carefully before assembly, installation and use of this product. Please keep the instructions for future reference.

Warranty

- This product is covered by a 2 year warranty. The warranty is from date of purchase, not the date of installation.
- If this product is not assembled and installed by a licensed electrician the warranty will be void.
- Please retain proof of purchase and evidence of installation by a licensed electrician for any warranty enquiries.
- Warranty will be void if there is any damage due to improper usage or modification to the product.
- Failure to comply with the instructions in this manual may increase the risk of damage or injury and will void warranty.

Installation Requirements

- The receiver must be installed by a licensed electrician.
- All wiring and installation of this product must adhere to latest local and national wiring rules. eg. AS/NZS 3000 Electrical installations in Australia.
- **NOTE: A double pole wall switch must be included in the wiring installation. The double pole switch allows the receiver to disconnect from the mains 240VAC power during maintenance and cleaning of the ceiling fan.**
- **NOTE: Do not install the receiver with an existing fan wall controller. Remove any existing fan wall controller and replace with a double pole wall switch, to power the receiver.**

CAUTION!



- Do not exceed rated power input specification.
- Select a suitable location for installation:
 - This product is suitable for indoor use only.
 - The receiver must be installed in the canopy of the ceiling fan.
- **NOTE: This ceiling fan remote controller is only suitable for controlling the ceiling fan motor and the light kit associated with the ceiling fan only. Any other use would be considered as misuse and warranty will be void.**
- **NOTE: The controller wiring circuit must NOT be shared with any electrical equipment that is sensitive to voltage fluctuation, such as infrared sensor lights.**
- DO NOT use the wiring of the controller, other than for the purpose of supplying power into the controller and connections to the equipment that is under control. Any outside wiring connections which are not part of the controller/controlled circuit, may affect the operation of the controller and will void warranty.
- This remote control is only suitable where the receiver can be inserted inside the canopy cover safely and securely.
- The maximum ceiling pitch angle should not be exceeded. It will damage the receiver and result in electric shock. Please check with the retailer about the maximum pitch angle suitable for ceiling fan with remote control.
- Do not use a solid state dimmer with this ceiling fan receiver.
- Fan installation must be complete including assembly of blades before operating the remote control.
- Take care not to pull any electrical wires during unpacking as this may damage the connection.
- Lay out all the components on a smooth surface and make sure there are no components missing before assembling.
- If parts are missing, return the complete product to the place of purchase for inspection or replacement.
- Check whether the product has been damaged during transport. Do not operate/install any product which appears damaged in any way. Return the complete product to the place of purchase for inspection, repair or replacement.
- Remove all packaging material from the product and be careful not to throw away accessories that may be hidden within the packaging material.

NOTE: Before the installation of the receiver, determine which type of ceiling fan you have.

Type 1 - Earth wire is separate from the ceiling fan quick connector.

The additional adaptor loom is NOT required.

Refer to page 2, the installation instructions below.

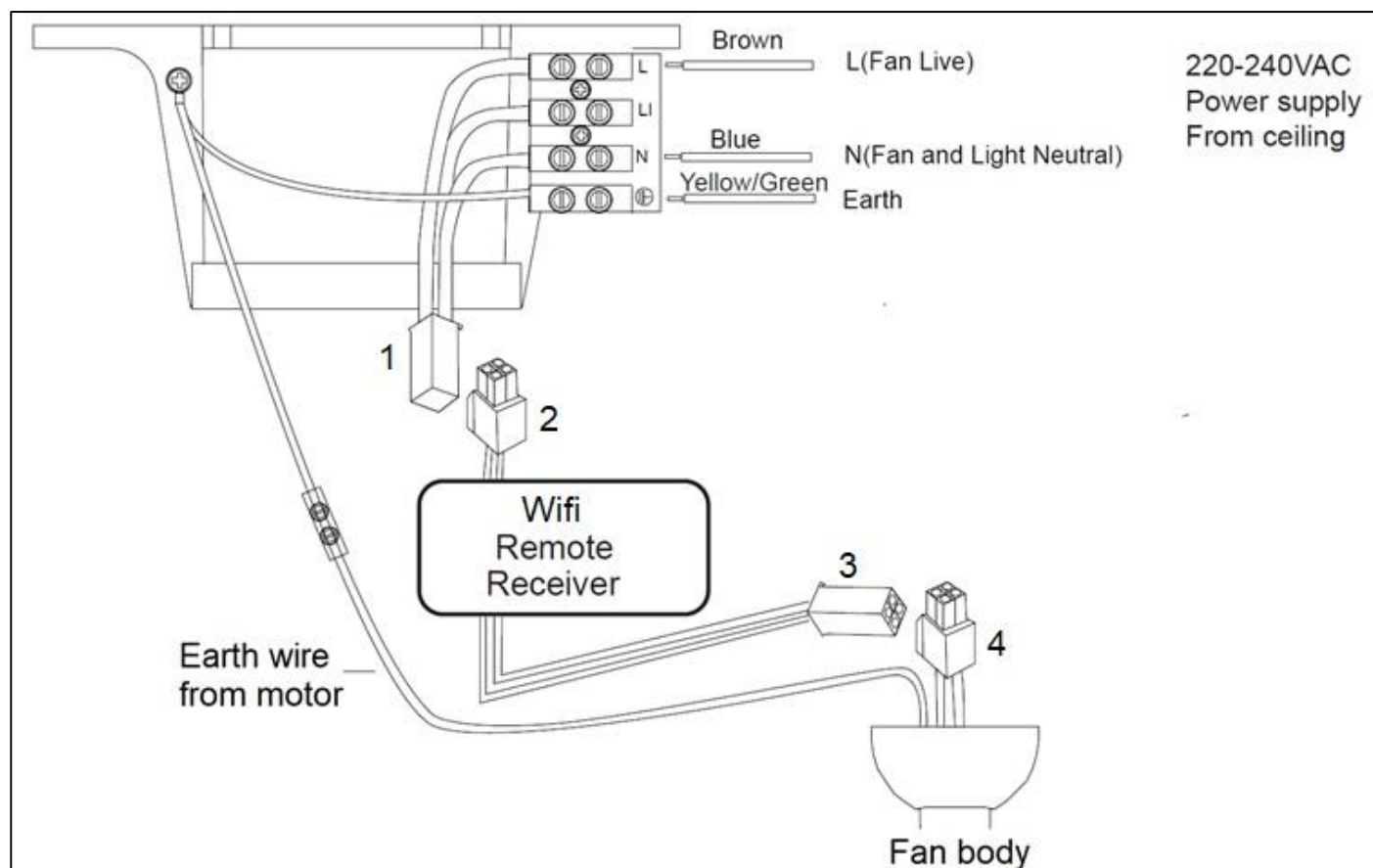
Type 2 - Earth wire is incorporated with the ceiling fan quick connector.

The additional adaptor loom is required for installation.

Refer to page 3 for installation instructions.

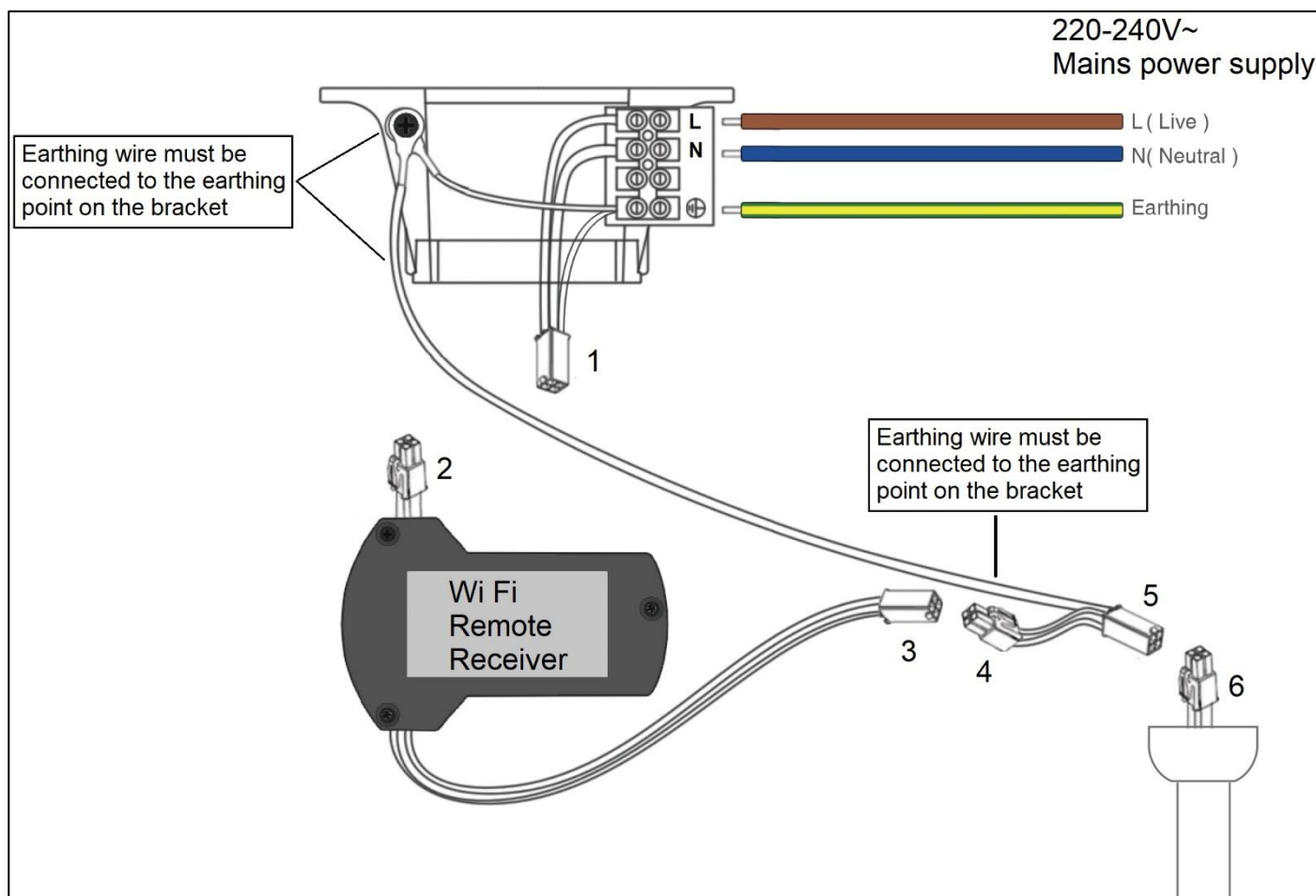
Installation for Type 1 fans - Earth wire is separate from the ceiling fan quick connector

1. Switch off the mains power before installation.
2. Uninstall the canopy of the ceiling fan from the bracket.
3. Unplug the quick connector between the bracket (1) and the ceiling fan body (4).
4. Connect the quick connector from the bracket (1) to the Wi-Fi remote receiver input (2).
5. Connect the Wi-Fi remote receiver output (3) to ceiling fan body connector (4).
6. Carefully insert the Wi-Fi remote receiver above the hanger ball in the remainder spacing in the mounting bracket. Take care not to damage or loosen any of the wiring.
7. Install the canopy of the ceiling fan back on to the bracket.
8. Switch on the power then set up the WIFI control or pair the RF remote control according to the 'Lucci CONNECT user guide'.



Installation for Type 2 fans - Earth wire is incorporated with the ceiling fan quick connector

1. Switch off the mains power before installation.
2. Uninstall the canopy of the ceiling fan from the bracket.
3. Unplug the quick connector between the bracket (1) and the ceiling fan body (6).
4. Connect the quick connector from the bracket (1) to the Wi-Fi remote receiver input (2).
5. Connect the Wi-Fi remote receiver output (3) to the male end of the additional adaptor loom (4).
6. Connect the female end of the additional adaptor loom (5) to the ceiling fan body connector (6)
7. Install the earthing wire from the additional adaptor loom to the earthing point onto the bracket of the ceiling fan.
Ensure the star washer is installed so there is full earth continuity.
8. Ensure the earth wiring is secure and correct, by performing an earthing continuity test from the fan's accessible metal body back to the earth terminal at the terminal block on the mounting bracket.
9. Carefully insert the Wi-Fi remote receiver above the hanger ball in the remainder spacing in the mounting bracket.
Take care not to damage or loosen any of the wiring.
10. Install the canopy of the ceiling fan back on to the bracket.
11. Switch on the power then set up the WIFI control or pair the RF remote control according to the 'Lucci CONNECT user guide'.



Battery Tips and Warnings for the transmitter

There is a button battery (3V CR2032) included as accessory for the transmitter.

- **WARNING** – KEEP BATTERIES OUT OF REACH OF CHILDREN.
- **CAUTION** – Do not ingest battery—Chemical burn hazard.
- If the coin/button cell battery is swallowed, it can cause severe internal burns in just 2 hours and can lead to death due to chemical burns and potential perforation of the oesophagus.
- If you think batteries might have been swallowed or placed inside any part of the body, seek immediate medical attention.
- If you suspect your child has swallowed or inserted a button battery, immediately call the 24-hour Poisons Information Centre on **13 11 26** for fast expert advice.
- Regularly check the product and make sure the battery box lid is correctly secured. If the battery compartment does not close securely, stop using the product and keep it away from children.
- If the battery box lid has been cracked or damaged, do not continue to use this product.
- Dispose of used batteries immediately and safely (so they cannot be retrieved by children). Flat batteries can still be dangerous.
- Keep new and used batteries away from children.
- Exhausted batteries are to be removed from the product.
- Batteries shall only be installed or replaced by an adult. Securely tighten the battery box lid after replacement.
- Do not use rechargeable batteries in this product.
- The supply terminals are not to be short-circuited.
- Ensure the batteries are inserted with the correct polarity.
- Remove batteries from the product when not in use for long periods of time.

Safety Tips

- Always ensure the power is OFF before performing any maintenance, cleaning or making any adjustment to the product.
- This product is to be used with a ceiling fan only. Do not use this product for any other purpose. The receiver must be installed inside the canopy of ceiling fan before setting up the WIFI & RF remote.
- Young children should be supervised to ensure that they do not play with the transmitter.
- Select a suitable location away from liquids and hazards.
- Do NOT soak or immerse the product in water or other liquids.
- Ensure that the product does not come in contact with corrosive chemicals/solvents or abrasive cleaners etc.

Specifications

SKU #	299041
Rated Voltage	220 - 240V~ 50Hz
Rated Load	Motor: Max.0.75A, Use with the AC motor of ceiling fan only Light: Max.100W, Non-dimmable
Weight	0.2kg / Set
Dimensions	Receiver: H:28mm W:80mm L:125mm Transmitter: H:12mm W:42mm L:110mm
Frequency	RF frequency: 433.92MHz, Range: 10m WIFI frequency: 2.4GHz
Battery	DC 3V CR2032 button battery (Included as accessory)