

1

Before commencing work, isolate the mains power supply at the circuit breaker.



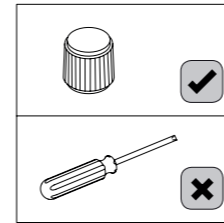
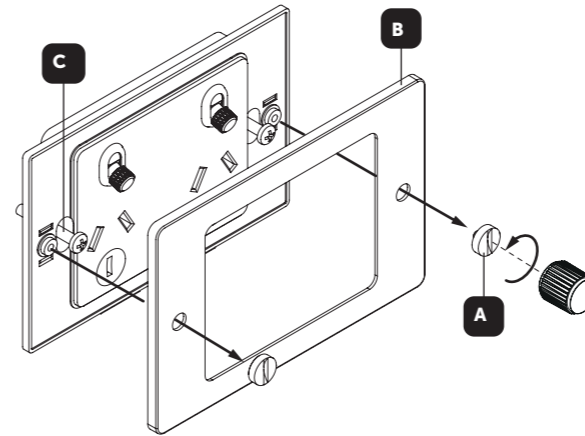
CAUTION:
Verify power supply is OFF before proceeding.

2

If unit is to be used as a replacement for an existing product, remove existing unit from its location and disconnect the wiring.

3

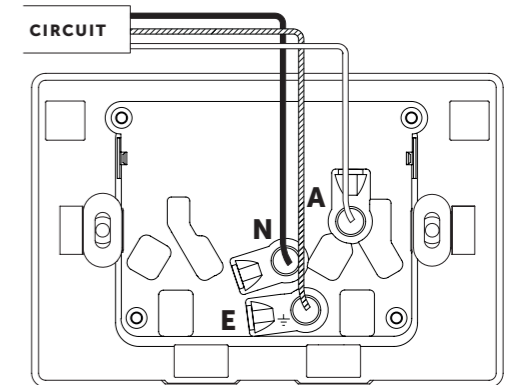
Remove the unit from its packaging. Remove the coin cap screws (A) using tool provided. This will release face plate (B) to reveal the locations for the mounting screws required for installation (C).



To avoid damage to the coin caps, always fasten using the plastic tool provided.

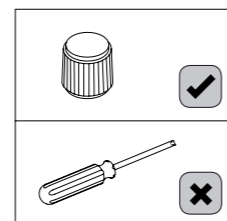
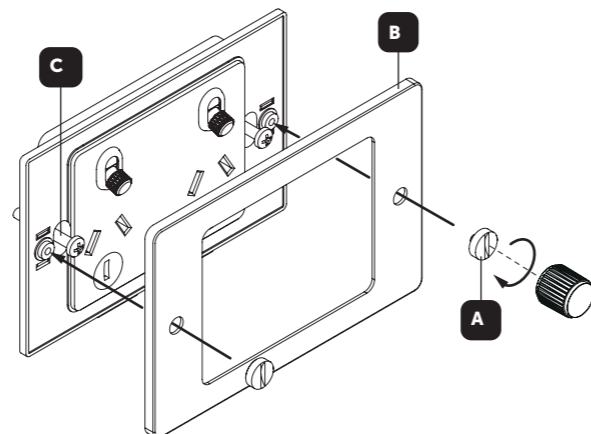
4

Connect the wires as shown in wiring diagram below. Use green/yellow sleeving on earth conductors that are not insulated. Ensure terminals are properly tightened and no bare wire is visible. Push back unit into mounting box, making sure that no wires become trapped.



5

Use a screwdriver to fix the unit onto the backbox via the supplied mounting screws (C). Fit the face plate (B), and secure using the coin cap screws (A) using the tool provided.



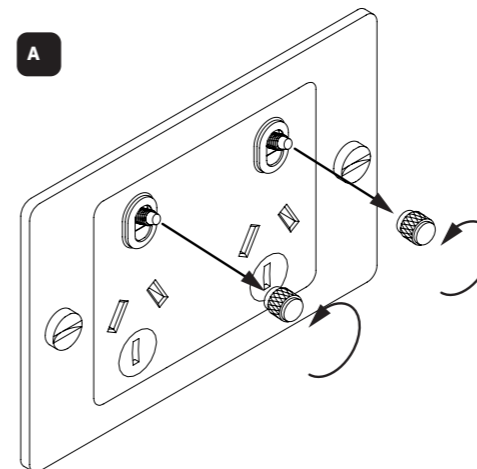
To avoid damage to the coin caps, always fasten using the plastic tool provided.

6

OPTIONAL: BLING YOUR SOCKET
Requires Socket Detail Kit.

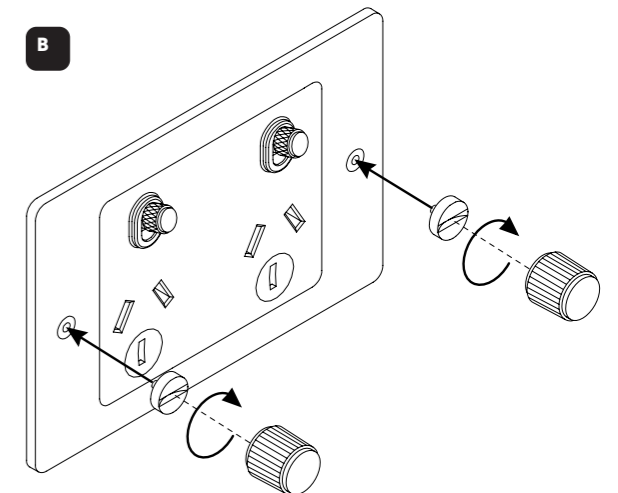
A) Remove the socket toggles simply by unscrewing each by hand in an anticlockwise direction. Replace with identical components from the detail kit, available in 5 finishes.

B) Remove the coin caps using the plastic tool provided. Replace with identical components from the detail kit, available in 5 finishes.



7

Once installation is complete, reconnect the mains power supply at the circuit breaker.



EN

TECHNICAL SPECIFICATION

2G GPO / Socket / Switched
250VAC / 10A Max / Class II

IMPORTANT NOTES

READ BEFORE INSTALLATION

1. All wiring and installation must adhere to the latest local and national regulations.
2. Must be installed by a licensed electrician.
3. Do not exceed the rated power values.
4. Indoor use only.
5. To reduce the risk of discolouration or tarnishing, avoid installation on wet plaster.



AS/NZS 3112:2017
AS/NZS 3133:2013 + A1:2014 + A2:2016

WARRANTY INFORMATION

The warranty period extends two (2) years from the date of the original purchase.

RECYCLING ELECTRICAL PRODUCTS

Buster and Punch encourages all its customers to make note of this symbol and avoid putting any waste electrical goods in your domestic waste bin or container. Please ensure you take your waste electrical goods to a suitable facility for disposal.

