

HARTLEY 2 LIGHT WALL BRACKET

SKU# 300954, 300955

Rated Voltage 220-240V~ 50Hz

To ensure correct function and safety, please read and follow all instructions carefully before assembly, installation and use of this product. Please keep instructions for future reference.

Warranty

- This luminaire is covered by a 12-month warranty. The warranty is from the date of purchase, not the date of installation.
- If the luminaire is not assembled and installed by a licensed electrician, the warranty will be void.
- Please retain the proof of purchase and evidence of installation by a licensed electrician for any warranty enquiries.
- Warranty will be void if there is any damage due to improper usage or modification to the luminaire.
- Failure to comply with instructions in this manual may increase the risk of damage or injury and will void the warranty.

Installation Requirements

- This luminaire must be assembled and installed by a licensed electrician.
- All wiring and installation of the luminaire must adhere to the latest local and national wiring rules.
E.g. AS/NZS 3000 Electrical Installations.
- This luminaire is a Class I product and must be earthed during wiring and installation.
- Do not exceed the maximum wattage rating. This luminaire must be used with GU10 LED lamps only.
- Select a suitable location for installation:
 - This luminaire is suitable for use in indoor environments only.
 - The mounting point must support 2 times the weight of the luminaire.
 - If installing a luminaire in an area prone to moisture, ensure that the area is well ventilated, and an appropriately rated exhaust fan is used if required. Damage or corrosion by environmental exposure (including salt air, high humidity, moisture or condensation) is not a product fault, and as such is not covered under warranty.
- Take care not to pull any electrical wires during unpacking as this may damage the connection.
- Lay out all the components on a smooth surface and make sure no components are missing before assembling.
- If parts are missing, return the complete product to the place of purchase for inspection or replacement.
- Check whether the luminaire has been damaged during transport. Do not operate/install any product which appears damaged in any way. Return the complete product to the place of purchase for inspection, repair or replacement.
- Ensure power to the circuit you are working on has been switched OFF before commencing any electrical work.

Installation Directions

1. Remove all packaging material from the product and be careful not to throw away accessories that may be hidden within the packaging material. If assembly is required, place the luminaire on a smooth non-scratch surface.
2. Select a suitable location for installation, see the requirements on Page 1.
3. Remove the shades (K) from the luminaire (F) by turning it counterclockwise.
4. Remove the mounting bracket (B) from the luminaire (F) by loosening the slotted screw (E) on the side with the slotted screwdriver.
5. Use the mounting bracket (B) as a template to mark the screw hole positions on the wall.
6. Install the mounting bracket (B) onto the wall by using appropriately sized mounting screws (C) and anchors (A). Ensure the screws (C) and anchors (A) used are suitable for the mounting surface and the surrounding environment.
7. Adjust the appropriate bracket (H) height of the luminaire by loosening and locking the screws (G) on the bracket (H) of the luminaire.
8. Connect the mains supply wire to the terminal block (D). Ensure the wires are secure and no bare wires are exposed.


Mains Supply Wire

Earth – Yellow/Green 

Neutral – Blue or Black

Live – Brown or Red

Luminaire Wire / Terminal Block

Yellow/Green 

Blue or N

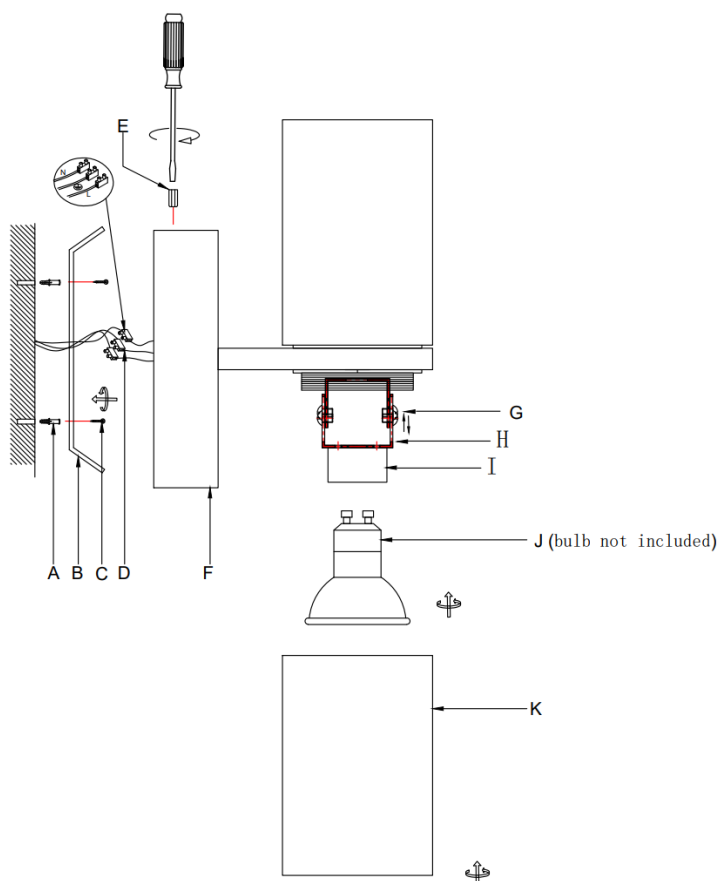
Brown or L

NOTE: This luminaire is a Class I product and must be earthed during wiring and installation.

9. Install the luminaire (F) onto the mounting bracket (B) and secure it by tightening the slotted screw (E) on the side with the slotted screwdriver.
10. Install the globes (J - not included) into the lamp holders (I). Do not exceed the maximum wattage rating.

NOTE: This luminaire must be used with LED GU10 lamps only

11. Install the shades (K) back onto the luminaire and secure by turning them clockwise.
12. After the installation, switch on the luminaire to test all the lighting functions and enjoy your new luminaire.



Safety Tips

- Always ensure the power is OFF and the luminaire has cooled down before performing any maintenance, cleaning, changing the globe or making any adjustment to the luminaire.
- To avoid injury or damage to the luminaire, ensure that power leads and screws are secure before connecting power.
- Select a suitable location away from liquids and hazards.
- When attempting to clean the luminaire, do NOT soak or immerse the luminaire in water or other liquids.
- Use the included sandpaper to clean up any scarf marks on the gypsum shade. Use of liquids or damp cloths may result in an inconsistent finish on the gypsum shade.
- Ensure that the luminaire does not come into contact with corrosive chemicals/solvents or abrasive cleaners etc.

Specifications

SKU #	300954	300955
Colour/Finish	Aged Brass Finish / Natural Travertine	Brushed Nickel / Silver Travertine
Rated Voltage	220-240V~ 50Hz	
Rated Wattage	20W Max. (2x Max.10W, GU10 LED Globe only, not included)	
Lamp Holder	GU10	
Weight	1.2kg	
Back Plate Dimensions	W:60mm L: 120mm	
Luminaire Dimensions	H:220mm W:70mm E:135mm	