

SOLSTICE LED WALL SCONE

SKU# 300958, 300959

Rated Voltage 220-240V~ 50Hz.

To ensure correct function and safety, please read and follow all instructions carefully before assembly, installation and use of this product. Please keep instructions for future reference.

Warranty

- This luminaire is covered by a 3-year warranty. The warranty is from the date of purchase, not the date of installation.
- If the luminaire is not assembled and installed by a licensed electrician, the warranty will be void.
- Please retain the proof of purchase and evidence of installation by a licensed electrician for any warranty enquiries.
- Warranty will be void if there is any damage due to improper usage or modification to the luminaire.
- Failure to comply with instructions in this manual may increase the risk of damage or injury and will void the warranty.

Installation Requirements

- This luminaire must be assembled and installed by a licensed electrician.
- All wiring and installation of the luminaire must adhere to the latest local and national wiring rules. E.g. AS/NZS 3000 Electrical Installations.
- The luminaire is a Class I product and must be earthed during wiring and installation.
- Select a suitable location for installation:
 - This luminaire is suitable for use in indoor environments only.
 - The mounting point must support 2 times the weight of the luminaire.
 - If installing a luminaire in an area prone to moisture, ensure that the area is well ventilated, and an appropriately rated exhaust fan is used if required. Damage or corrosion caused by environmental exposure (including salt air, high humidity, moisture or condensation) is not a product fault, and as such is not covered under warranty.
- **“Scene Change at the Wall Switch”** functionality is enabled when the toggle switch on the luminaire is set to the “WC” position. This colour shifting function is designed to operate with a mechanical or relay ON/OFF switch, as well as selected semi-conductor ON/OFF switches, such as MFL Artisan or Lucci Power Dimmers with ON/OFF functionality. Please note the colour shifting function may not operate correctly on all semi-conductor switches and will not work on switches that features a ‘soft-start’ function.
- This luminaire is dimmable, and the use of an LED dimmer is strongly recommended. Please see **Highly Recommended Dimmers** Section of the Specifications on Page 5 for a range of LED Dimmers that have been specifically designed & tested for use with this luminaire.
 - NOTE:** Dimming may cause buzzing sounds or a slight flicker. There may be slight delays with the LED light start up or slight uneven light performance when more than one LED light fitting is linked together, switched ON or dimmed. This is not a product fault and as such is not covered under warranty.
 - NOTE:** Some dimmers have a minimum load of 20W. Ensure the dimmer position is on the maximum setting before turning on the LED light and adjust the dimmer down to your desired light level.
 - NOTE:** Testing cannot account for installation variables such as variation in mains supply voltage, cable capacitance, electrical noise, transients, surges and ripple control signals (commonly found in NSW & QLD).
 - NOTE:** The information provided is correct to the best of Beacon Lighting’s knowledge at the date of publication.
- Take care not to pull any electrical wires during unpacking as this may damage the connection.
- Lay out all the components on a smooth surface and make sure no components are missing before assembling. If parts are missing, return the complete product to the place of purchase for inspection or replacement.
- Check whether the luminaire has been damaged during transport. Do not operate/install any product which appears damaged in any way. Return the complete product to the place of purchase for inspection, repair or replacement.

Installation Directions

NOTE: Ensure power to the circuit you are working on has been switched OFF before commencing any electrical work.

1. Remove all packaging material from the product and be careful not to throw away accessories that may be hidden within the packaging material. If assembly is required, place the luminaire on a smooth non-scratch surface.
2. Remove the mounting bracket (B) from the luminaire (E) by loosening the screws (G) on the upper side.
3. Use the mounting bracket (B) as a template to mark the screw hole positions on the wall.
4. Install the mounting bracket (B) onto the wall by using appropriately sized mounting screws (C) and anchors (A). Ensure the screws (C) and anchors (A) used are suitable for the mounting surface and the surrounding environment.
5. Connect the mains supply wires to the terminal block (F).

Mains Supply Wire

Earth – Yellow/Green

Neutral – Blue or Black

Live – Brown or Red

Luminaire Wire / Terminal block

Yellow/Green or 

Blue or N

Brown or L

Ensure that the wires are secure, and no bare wires are exposed.

NOTE: The luminaire is a Class I product and must be earthed during wiring and installation.

6. Install the luminaire (E) onto the mounting bracket (B) and secure it by tightening the screws (F) on upper side.
7. The colour temperature of this luminaire can be pre-set to a desired colour temperature OR operated via the connected wall switch. Use the toggle switch (H) in the luminaire (E) to select your desired colour temperature (“WW” for 3000K *Warm White*, “CW” for 4000K *Cool White*, or “DL” for 5000K *Daylight*) or move the switch to the “WC” (*Wall Control*) setting to enable “Scene Change at the Wall Switch” functionality.

NOTE: The toggle switch (H) must only be operated when power to the luminaire has been switched off.

Changing toggle switch settings while the luminaire is powered may cause damage to the LED driver.

8. After the installation, switch on the luminaire to test all the lighting functions and enjoy your new lighting product.

SCENE CHANGE AT THE WALL SWITCH (3000K – 5000K – 4000K):

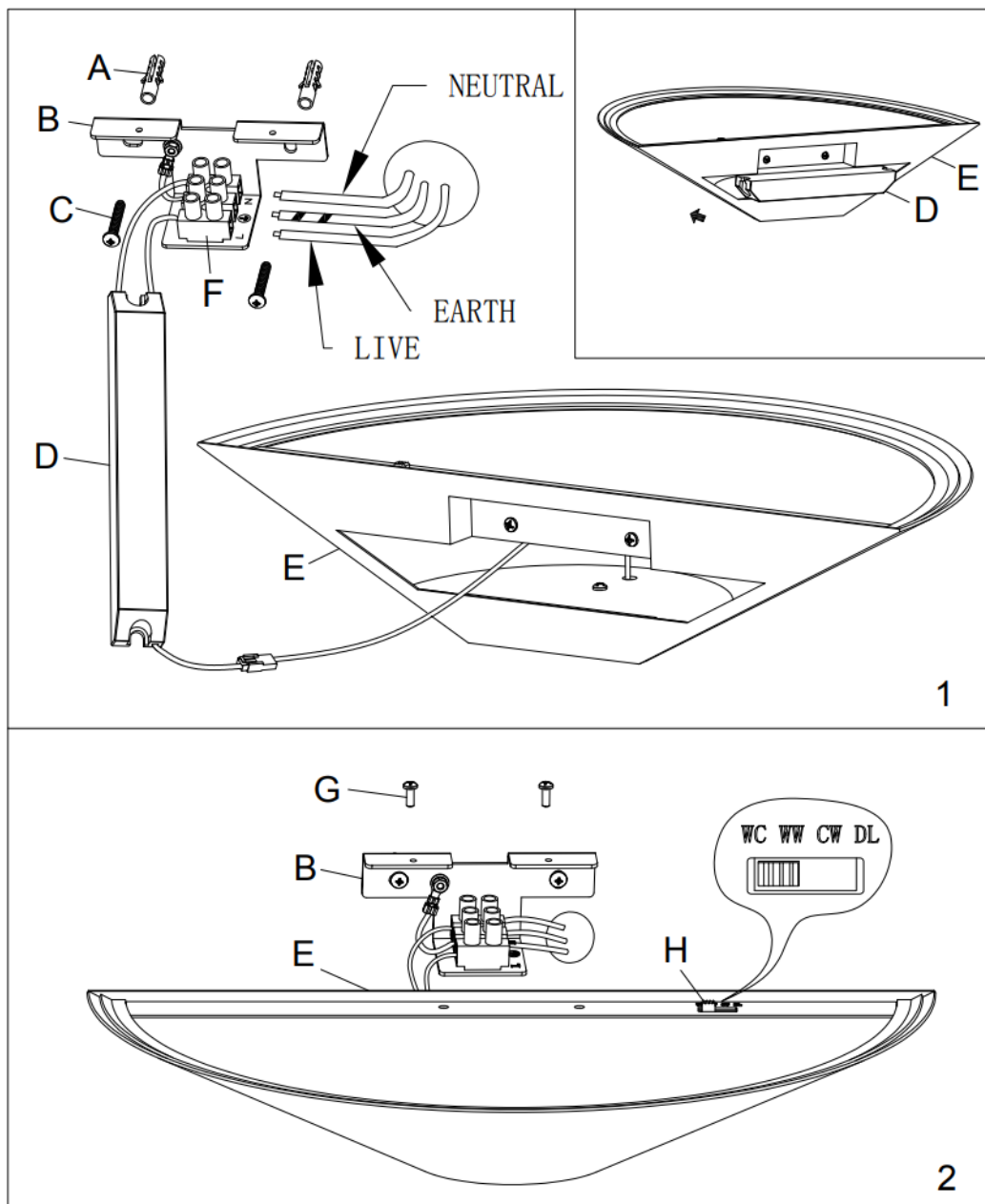
- To operate the “Scene Change at the Wall Switch” colour shifting function, use the connected mechanical or relay ON/OFF wall switch.

NOTE: The switch on the luminaire must be at the “WC” (Wall Control) position. Do not adjust the position of the switch unless power to the luminaire has been switched off.

NOTE: If the luminaire is installed with dimmer, it is recommended to turn the dimmer to the highest position before adjusting the colour temperature as below.

- While the luminaire is on, toggle the wall switch OFF and ON again within 3 seconds. The colour shifting sequence will jump from 3000K → 5000K → 4000K.
- For the colour shifting to memorise the colour temperature, leave the wall switch OFF for over 7 seconds.
- To reset the colour shifting, toggle the wall switch OFF and ON twice within 1 second. Repeat if it doesn’t reset.

NOTE: If using an MFL Artisan or Lucci Power Dimmer, please see the Dimmer Installation Manual for instructions on how to operate the colour shifting functions correctly.



Safety Tips

- Always ensure the power is OFF and the luminaire has cooled down before performing any maintenance, cleaning, changing the lamps or making any adjustment to the luminaire.
- To avoid injury or damage to the luminaire, ensure that power leads and screws are secure before connecting power.
- Select a suitable location away from liquids and hazards.
- To clean, wipe with a soft damp cloth. Do NOT soak or immerse the luminaire in water or other liquids.
- Ensure that the luminaire does not come in contact with corrosive chemicals/solvents or abrasive cleaners etc.
- The luminaire must not be used if the protective shield or shade has been cracked or damaged. Replace the protective shield or shade before using the luminaire.
- The light source of this luminaire is not replaceable; when the light source reaches its end of life the whole luminaire shall be replaced. There are no serviceable parts, do not attempt to dismantle or open the luminaire.
- The LED Driver (D) in this luminaire is replaceable, and shall only be replaced by the manufacturer, their service agent or a similarly qualified person, such as a licenced electrician.

Troubleshooting		
PROBLEM	POSSIBLE CAUSE	SUGGESTED SOLUTION
Does not work. (New installation)	Loose wiring or no power to the luminaire.	Check your circuit breaker/safety switch box and turn on the power to your circuit.
		Contact the installing licensed electrician to check if the luminaire has been installed correctly.
Does not work. (Existing installation)	No power to the luminaire.	Check your circuit breaker/safety switch box and turn on the power to your circuit.
		Contact your nearest Beacon Lighting store.
Flickers when dimming. (New installation)	Non-recommended dimmer used.	Check the dimmer used. Ensure the dimmer used is on the list of recommended dimmers in this manual.
	Some dimmers have a variable loading adjustment function. This may not have been adjusted during the installation of the dimmer.	The variable resistor needs to be adjusted to suit the luminaire load to reduce the flickering.
Flickers when dimming. (Existing installation)	Dimmer position on low.	Ensure the dimmer position is on the maximum setting before turning on the luminaire and adjust the dimmer down to your desired light level.
Buzzing sound.	Non-recommended dimmer used.	Check the dimmer used. Ensure the dimmer used is on the list of recommended dimmers in this manual.
Uneven light on start-up	Dimmer position on low when switched on.	Ensure the dimmer position is on the maximum setting before turning on the luminaire and adjust the dimmer down to your desired light level.

Specifications		
SKU #	300958	300959
Colour	Black	White
Rated Voltage	220-240V~ 50Hz	
Rated Wattage	18W Max.	
LED Driver	CA-018-040N2F-450-01 (SKU#P020025)	
LED Specs	Dimmable, Colour Shifting (3000K-4000K-5000K) LEDs*, CRI ≥ 90	
Rated Lumens	1150 lumens MAX	
Highly Recommended Dimmers	All Lucci , MFL and Buster + Punch Dimmers	
Compatible Dimmers	Clipsal 31E2PUDM, 42E350RUD2M-VW, 32E450UDM. DIGINET LED Smart MEDM, HPM Cat. 400T. DETA:6032B series 2 Zimi Powermesh PMPUSWV1G	
Weight	1.0kg	
Back Plate Diameter	W:350mm E: 175mm	
Luminaire Dimensions	H: 72mm W:350mm E: 175mm	

***NOTE:** Use the toggle switch on the luminaire to select the colour temperature (“WW” for 3000K *Warm White*, “CW” for 4000K *Cool White*, or “DL” for 5000K *Daylight*) or move the switch to the “WC” (*Wall Control*) setting to enable “Scene Change at the Wall Switch” functionality. Please note the toggle switch must only be operated when power to the luminaire has been switched off. Changing the toggle switch settings while the luminaire is powered may cause damage to the LED driver.

***NOTE:** The “Scene Change at the Wall Switch” function is designed to operate with a mechanical or relay ON/OFF switch, as well as selected semi-conductor ON/OFF switches, such as MFL Artisan or Lucci Power Dimmers with ON/OFF functionality outlined above. Please note this colour shifting function may not operate correctly on all semi-conductor switches and will not work on switches that features a ‘soft-start’ function.