

## MILAN LED WALL BRACKET

SKU# 307000, 307001

Rated Voltage 220-240V~ 50Hz

Thank you for purchasing this quality MFL product. To ensure correct function and safety, please read and follow all instructions carefully before assembly, installation and use of this product. Please keep instructions for future reference.

### Warranty

- This fitting is covered by a 3 year warranty. The warranty is from date of purchase, not the date of installation.
- If the fitting is not assembled and installed by a licensed electrician the warranty will be void.
- Please retain proof of purchase and evidence of assembly and installation by a licensed electrician.
- Warranty will be void if there is any damage due to improper usage or modification to the fitting.
- Failure to comply with the instructions in this manual may increase the risk of damage or injury and will void warranty.
- This fitting is not suitable for use with dimmer switches. Warranty will be void if the fitting is used on the same circuit which has a dimmer switch.

### Installation Requirements

- This fitting must be assembled and installed by a licensed electrician.
- All wiring and installation of the light fitting must adhere to local and national wiring rules.  
eg. AS/NZS 3000:2007/Amendment 2:2012 Electrical installations.
- This fitting is a Class I product and must be earthed.
- Select a suitable location for installation:
  - This product is suitable for indoor use only.
  - The mounting point must support 2 times the weight of the fitting.
  - Ensure the fitting is not installed in direct line of an air vent/system.
  - If installing a fitting in an area prone to moisture, ensure that the area is well ventilated and an appropriately rated exhaust fan is used if required. Damage or corrosion caused by moisture is not a product fault, and as such is not covered under warranty.
- Take care not to pull any electrical wires during unpacking as this may damage the connection.
- Lay out all the components on a smooth surface and make sure there are no components missing before assembling. If parts are missing, return the complete product to the place of purchase for inspection or replacement.
- Check whether the fitting has been damaged during transport. Do not operate/install any product which appears damaged in any way. Return the complete product to the place of purchase for inspection, repair or replacement.
- Ensure power to the circuit you are working on has been switched OFF before commencing any electrical work.

### Installation Directions

1. Remove all packaging material from the product and be careful not to throw away accessories that may be hidden within the packaging material. If assembly is required, lay the fitting on a smooth non-scratch surface.
2. Remove the mounting bracket (D) from the fitting by loosening the screw (A) at the top of the fitting.
3. Use the mounting bracket (D) as a template to mark the screw positions on the wall.
4. Install the mounting bracket (D) onto the wall by using appropriately sized mounting screws (E) and anchors (F). Ensure the screws (E) and anchors (F) used are suitable for the mounting surface and surrounding environment.
5. Connect the mains supply wire to the terminal block (C). Ensure the wires are secure and no bare wires are exposed.


#### Mains Supply Wire

Earth – Yellow/Green

Neutral – Blue or Black

Live – Brown or Red

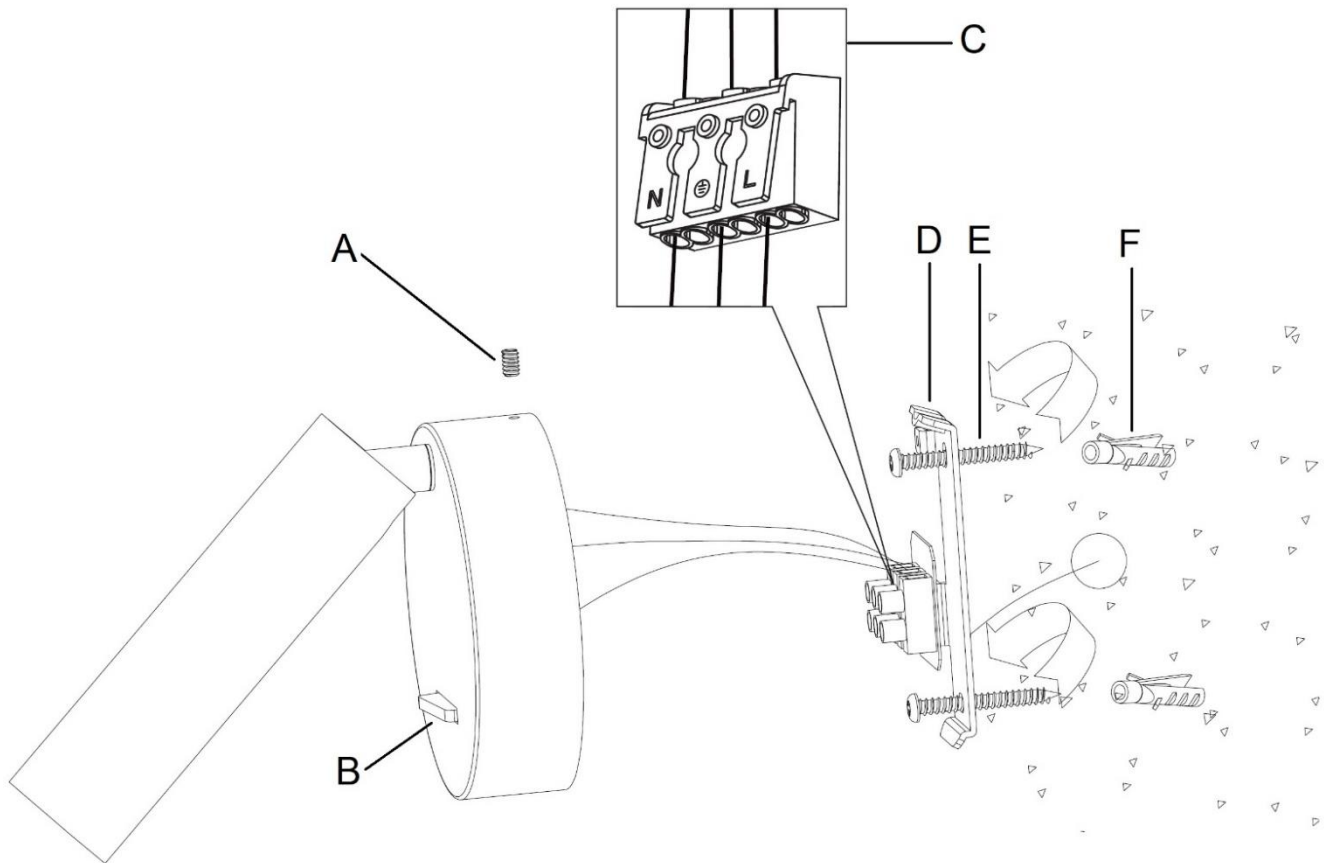
#### Fitting Wire

Yellow/Green or 

Blue or N

Brown or L

6. Install the fitting back onto the mounting bracket (D) and secure by tightening the screw (A) at the top of the fitting.
7. Use the switch (B) to turn the fitting on/off.
8. After the installation, switch on the fitting to test and enjoy your new lighting product.



## Safety Tips

- Always ensure the power is OFF and the fitting has cooled down before performing any maintenance, cleaning or making any adjustment to the fitting.
- To avoid injury or damage to the fitting, ensure that power leads and screws are secure before connecting the power.
- The LEDs are not replaceable and there are no serviceable parts, do not attempt to dismantle or open the product.
- Select a suitable location away from liquids and hazards.
- To clean, wipe with a soft damp cloth. Do NOT soak or immerse the product in water or other liquids.
- Ensure that the fitting does not come in contact with corrosive chemicals/solvents or abrasive cleaners etc.

## Specifications

SKU #	307000	307001
Colour	Black	White
Rated Voltage	220-240V~ 50Hz	
Rated Wattage	6.5W (including LED driver)	
LED specs	Sharp LEDs, 320 Lumens, 3000K, CRI:93, Non-dimmable	Sharp LEDs, 400 Lumens, 3000K, CRI:93, Non-dimmable
Weight	0.3kg	
Dimensions	H:115mm Dia:90mm	