

## ARIAL SUNSET WALL BRACKET

SKU# 309120

Rated Voltage 220-240V~ 50Hz

Thank you for purchasing this quality Lucci product. To ensure correct function and safety, please read and follow all instructions carefully before assembly, installation and use of this luminaire. Please keep instructions for future reference.

### Warranty

- This luminaire is covered by a 3 year warranty. The warranty is from date of purchase, not the date of installation.
- If the luminaire is not assembled and installed by a licensed electrician the warranty will be void.
- Please retain proof of purchase and evidence of installation by a licensed electrician for any warranty enquiries.
- Warranty will be void if there is any damage due to improper usage or modification to the luminaire.
- Failure to comply with the instructions in this manual may increase the risk of damage or injury and will void warranty.
- The use of non-compatible dimmers may damage your LED light fitting and will void the warranty.

### Installation Requirements

- Must be installed by a licensed electrician.
- All wiring and installation of the luminaire must adhere to the latest local and national wiring rules.  
eg. AS/NZS 3000 Electrical Installations.
- This is a Class I luminaire and must earthed.
- Select a suitable location for installation:
  - This luminaire is suitable for indoor use only.
  - The mounting point must support 2 times the weight of the luminaire.
  - Ensure the luminaire is not installed in direct line of an air vent/system.
  - If installing a luminaire in an area prone to moisture, ensure that the area is well ventilated and an appropriately rated exhaust fan is used if required. Damage or corrosion caused by moisture is not a product fault, and as such is not covered under warranty.
- This luminaire is dimmable and has been tested at the date of publication with the dimmers listed in the specification section. The use of a LED dimmer such as the Lucci LEDlux SKU# 290998 or SKU# 290997 or SKU# 299043 dimmer is highly recommended.

**NOTE:** For the best dimming range, use the Lucci LEDlux SKU# 290998 dimmer and adjust the variable resistor at the minimum and maximum dimming positions on the dimmer during the installation.

**NOTE:** Dimming may cause buzzing sounds or a slight flicker. There may be slight delays with the LED light start-up or slight uneven light performance when more than one LED luminaire is linked together, switched ON or dimmed. This is not a product fault and therefore not covered under warranty.

**NOTE:** Some dimmers have a minimum load of 20W. Ensure the dimmer position is on the maximum setting before turning on the LED light and adjust the dimmer down to your desired light level.

**NOTE:** Testing cannot account for installation variables such as variation in mains supply voltage, cable capacitance, electrical noise, transients, surges and ripple control signals (commonly found in NSW & QLD).
- Take care not to pull any electrical wires during unpacking as this may damage the connection.
- Lay out all the components on a smooth surface and make sure there are no components missing before assembling. If parts are missing, return the complete product to the place of purchase for inspection or replacement.
- Check whether the luminaire has been damaged during transport. Do not operate/install any product which appears damaged in any way. Return the complete product to the place of purchase for inspection, repair or replacement.
- Ensure power to the circuit you are working on has been switched OFF before commencing any electrical work.

## Installation Directions

Remove all packaging material from the product and be careful not to throw away accessories that may be hidden within the packaging material. If assembly is required, place on a smooth non-scratch surface.

1. Remove the mounting bracket from the luminaire by loosening the screws.
2. Use the mounting bracket as a template to mark the screw positions on the wall.

Install the mounting bracket onto the wall by using appropriately sized mounting screws and anchors. Ensure the screws and anchors used are suitable for the mounting surface and the surrounding environment.

3. Connect the mains supply wire to the terminal block.

### Mains Supply Wire

Earth – Yellow/Green

Neutral – Blue or Black

Live – Brown or Red

### Luminaire Wire

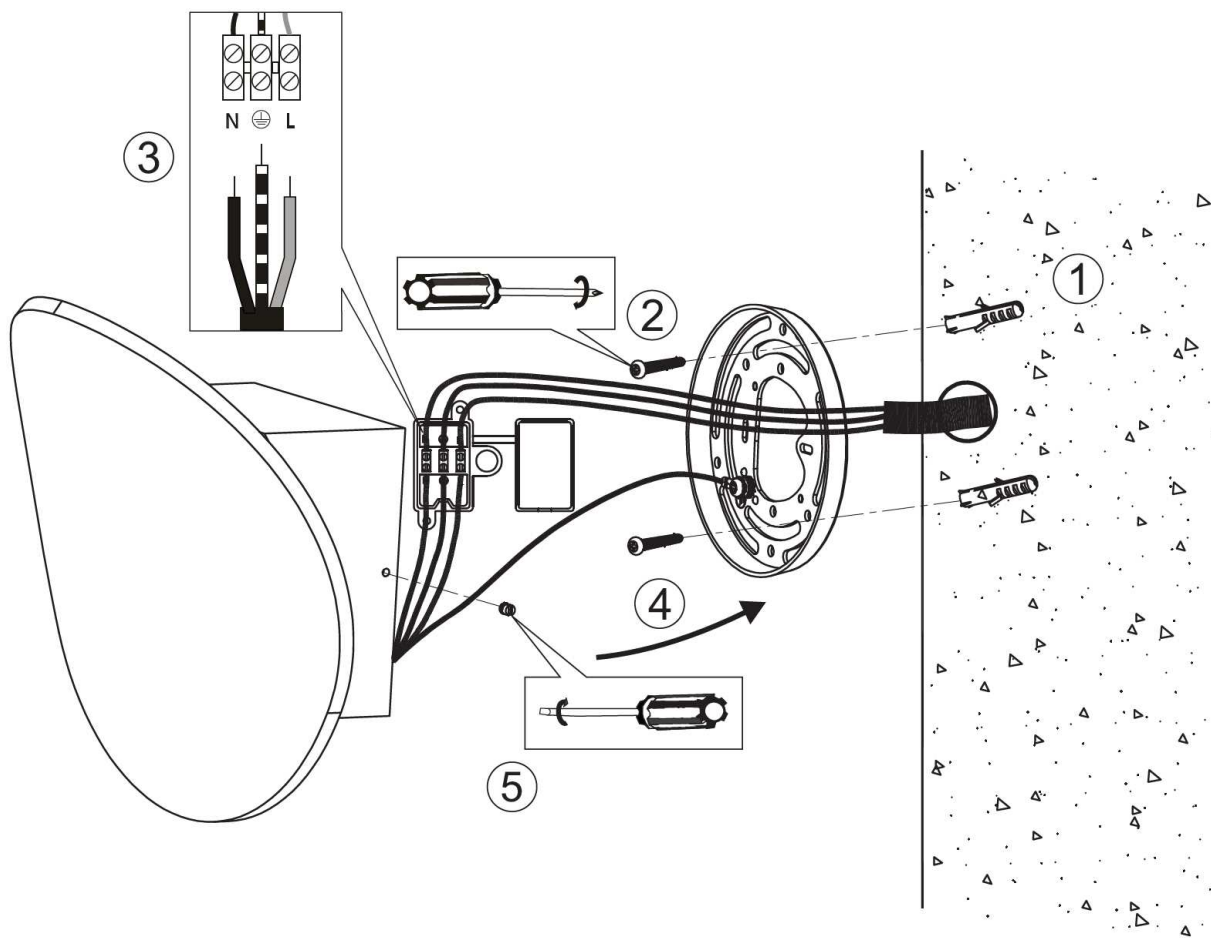
Yellow/Green or

Blue or N

Brown or L

Ensure the wires are secure and no bare wires are exposed.

4. Install the luminaire onto the mounting bracket.
5. Secure the mounting bracket by tightening the screws.
6. After the installation, switch on the luminaire to test all the lighting functions and enjoy your new luminaire.



## Safety Tips

- Always ensure the power is OFF and the luminaire has cooled down before performing any maintenance, cleaning or making any adjustment to the luminaire.
- To avoid injury or damage to the luminaire, ensure that power leads and screws are secure before connecting the power.
- Select a suitable location away from liquids and hazards.
- To clean, wipe with a soft damp cloth. Do NOT soak or immerse the luminaire in water or other liquids.
- Ensure that the luminaire does not come in contact with corrosive chemicals/solvents or abrasive cleaners etc.
- The light source in this luminaire is not replaceable; when the luminaire reaches its end of life the whole luminaire shall be replaced. Do not attempt to dismantle the light source in any circumstances.

## Specifications

|                    |   |  |
|--------------------|---|--|
| SKU #              | 309120  |  |
| Model #            | 1617CT  |  |
| Colour             | White   |  |
| Rated Voltage      | 220-240V~ 50Hz  |  |
| Rated Wattage      | 13W   |  |
| LEDs               | 1100 Lumen, 3000 - 2000K, CRI>90<br><b>NOTE: Colour temperature will change from 3000K – 2000K when dimmed down</b> |  |
| Dimmer information | Highly recommended Dimmer for all sku#  | Lucci LEDlux SKU# 290998, SKU# 290997, SKU# 299043   |
|                    | Compatible dimmers for all sku#   | B&P DIM-002;<br>DIGINET LED Smart MEDM;<br>Clipsal 31E2RUDM, 32E450TM, 32E450UDM, 31E2PUDM and 32ELEDM;<br>HPM Cat.400T. |
| Weight             | 0.882 kg  |  |
| Dimensions         | L:198mm W:215mm E:107mm   |  |