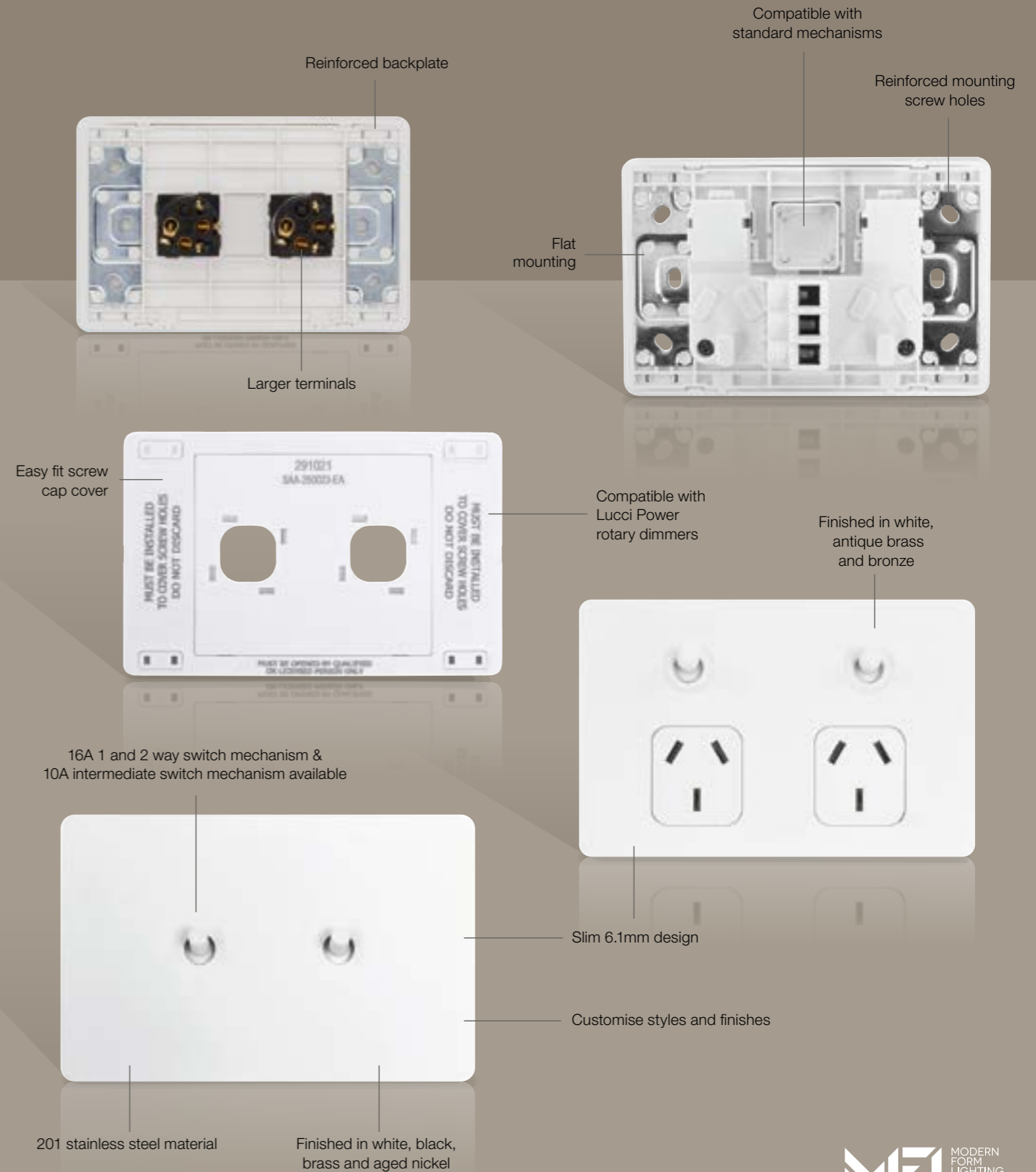




# MFL Forge

MFL Forge is a premium collection of customisable switches expertly crafted from high-quality stainless steel with painted matte and electroplated brushed finishes. Designed for versatility and true aesthetic appeal, choose from the Heritage and Modern ranges, with customisable toggles and dimmer details to suit any design style. Forge balances functionality with refined style, making it the ultimate choice for sophisticated interiors.

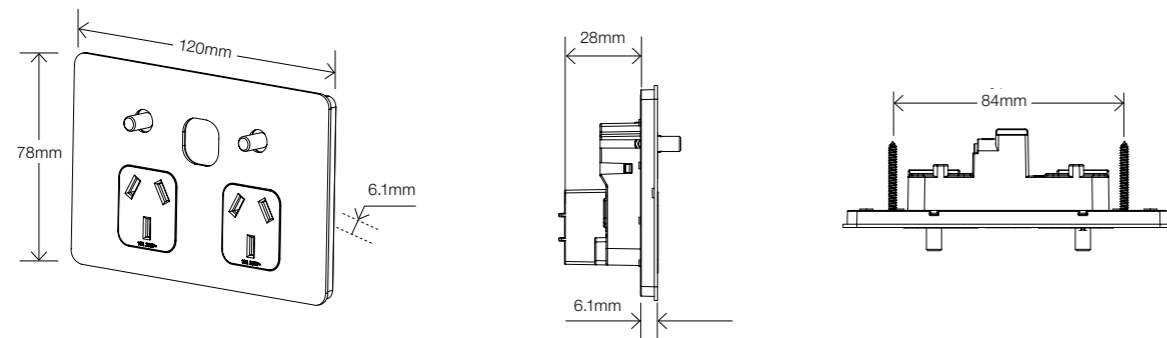


# MFL Forge Modern - Powerpoints



Mounting position Horizontal	Mounting centers 84mm	Mounted extension 6.1mm	Terminal screws PH2	Control type Toggle switch	Terminal capacity 4 x 2.5mm <sup>2</sup>
Stripping length 16mm	Recessed depth 30mm	Cut-out 95mm x 54mm	Warranty 10 years	Approval number SAA-242036-EA	Compliance standard AS/NZS 3112:2017 AS/NZS 3100:2022

Colour	Material	Finish	Forge Modern Twin Powerpoint	Forge Modern Twin Powerpoint Extra Switch
			SKU	SKU
White	201 stainless steel fascia and polycarbonate plate	Painted, Matte	291036	291040
Black	201 stainless steel fascia and polycarbonate plate	Painted, Matte	291037	291041
Brass	201 stainless steel fascia and polycarbonate plate	Electroplated, Brushed	291038	291042
Aged Nickel	201 stainless steel fascia and polycarbonate plate	Electroplated, Brushed	291039	291043

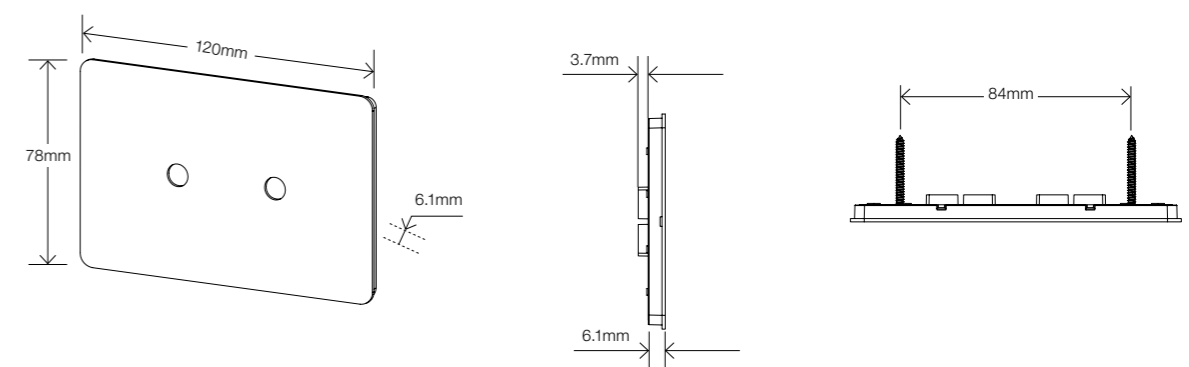


# MFL Forge Modern - Grid Plates



Mounting position Horizontal or vertical	Mounting centers 84mm	Mounted extension 6.1mm	Terminal screws N/A	Control type Toggle switch	Terminal capacity N/A
Stripping length N/A	Recessed depth 27mm includes switch	Cut-out 95mm x 54mm	Warranty 10 years	Approval number SAA250023-EA	Compliance standard AS 3133:2020 AS/NZS 3100:2022

Colour	Material	Finish	1G Grid Plate	2G Grid Plate	3G Grid Plate	4G Grid Plate
			SKU	SKU	SKU	SKU
White	201 stainless steel fascia and polycarbonate plate	Painted, Matte	291020	291021	291022	291123
Black	201 stainless steel fascia and polycarbonate plate	Painted, Matte	291024	291025	291026	291027
Brass	201 stainless steel fascia and polycarbonate plate	Electroplated, Brushed	291028	291029	291030	291031
Aged Nickel	201 stainless steel fascia and polycarbonate plate	Electroplated, Brushed	291032	291033	291034	291035

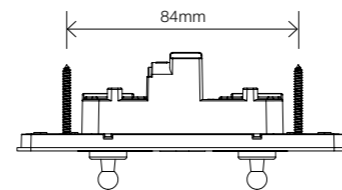
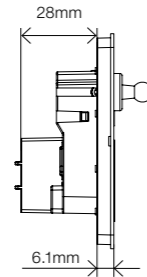
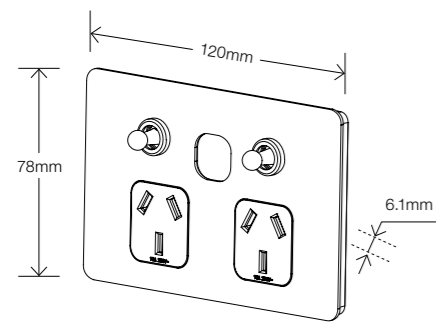


# MFL Forge Heritage - Powerpoints



Mounting position Horizontal	Mounting centers 84mm	Mounted extension 6.1mm	Terminal screws PH2	Control type Toggle	Terminal capacity 4 x 2.5mm <sup>2</sup>
Stripping length 16mm	Recessed depth 30mm	Cut-out 95mm x 54mm	Warranty 10 years	Approval number SAA-242036-EA	Compliance standard AS/NZS 3112 AS/NZS 3100

			Twin Powerpoint	Twin Powerpoint Extra Switch
Colour	Material	Finish	SKU	SKU
White	201 stainless steel fascia and polycarbonate plate	Painted, Matte	291063	291066
Antique Brass	201 stainless steel fascia and polycarbonate plate	Electroplated, Brushed	291064	291067
Bronze	201 stainless steel fascia and polycarbonate plate	Electroplated, Brushed	291065	291068

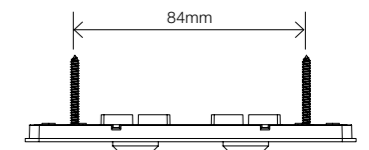
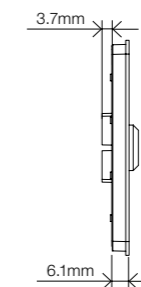
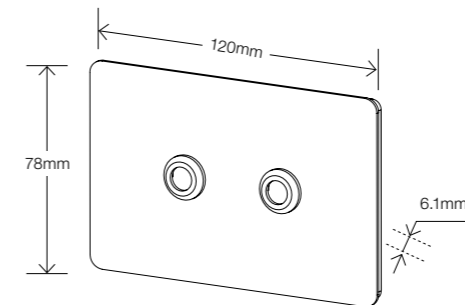


# MFL Forge Heritage - Grid Plates



Mounting position Horizontal or vertical	Mounting centers 84mm	Mounted extension 6.1mm	Terminal screws N/A	Control type Toggle	Terminal capacity N/A
Stripping length N/A	Recessed depth 27mm includes switch	Cut-out 95mm x 54mm	Warranty 10 years	Approval number SAA250023-EA	Compliance standard AS 3133 AS/NZS 3100

			1G Grid Plate	2G Grid Plate	3G Grid Plate	4G Grid Plate
Colour	Material	Finish	SKU	SKU	SKU	SKU
White	201 stainless steel fascia and polycarbonate plate	Painted, Matte	291051	291052	291053	291054
Antique Brass	201 stainless steel fascia and polycarbonate plate	Electroplated, Brushed	291055	291056	291057	291058
Bronze	201 stainless steel fascia and polycarbonate plate	Electroplated, Brushed	291059	291060	291061	291062



# MFL Forge - Mechanisms and Accessories

MFL Forge is versatile, allowing you to customise switches to suit your space. Choose between Heritage or Modern styles, customising any toggle finish with any grid plate to achieve your design vision. For added functionality, select a rotary dimmer with a matching dimmer detail to create a seamless and elegant finish.



# MFL Forge - Mechanisms and Accessories



Forge Modern Toggle  
SKU 291085



Forge Heritage Toggle  
SKU 291091



Dimmer detail only\*  
SKU 291077



White



Black



Brass



Aged Nickel



Antique Brass



Bronze



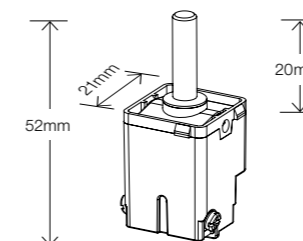
10 YEAR WARRANTY



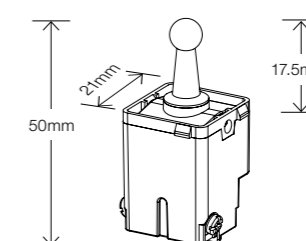
LARGER TERMINALS

<b>Dimmer Detail</b> Compatible Dimmers Lucci Power Rotary Dimmers 290917 290993 290994	<b>Mounting centers</b> N/A	<b>Mounted extension</b> Modern toggle: 23mm Heritage toggle: 20mm Dimmer: 25mm	<b>Terminal screws</b> PH1	<b>Control Type</b> Switch: Toggle Dimmer: Rotary	<b>Terminal capacity</b> Switch: 4 x 1.5mm <sup>2</sup>
<b>Stripping length</b> 10mm	<b>Recessed depth</b> 27mm	<b>Cut-out</b> N/A	<b>Warranty</b> 10 years	<b>Approval number</b> SAA250023-EA	<b>Compliance standard</b> AS 3133:2020 AS/NZS 3100:2022

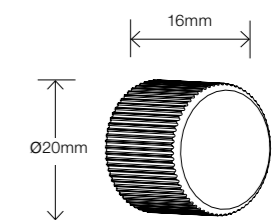
Colour	Material	Finish	Modern	Modern	Heritage	Heritage	Dimmer Detail
			1/2 way Toggle Switch	Intermediate Toggle Switch	1/2 way Toggle Switch	Intermediate Toggle Switch	
White	Polycarbonate and brass	Painted, Matte	SKU 291085	SKU 291044	SKU 291091	SKU 291069	SKU 291077
Black	Polycarbonate and brass	Painted, Matte	SKU 291086	SKU 291045	SKU 291092	SKU 291073	SKU 291078
Brass	Polycarbonate and brass	Electroplated, Brushed	SKU 291087	SKU 291046	SKU 291093	SKU 291070	SKU 291079
Aged Nickel	Polycarbonate and brass	Electroplated, Brushed	SKU 291088	SKU 291047	SKU 291094	SKU 291072	SKU 291081
Antique Brass	Polycarbonate and brass	Electroplated, Brushed	SKU 291089	SKU 291048	SKU 291095	SKU 291074	SKU 291076
Bronze	Polycarbonate and brass	Electroplated, Brushed	SKU 291090	SKU 291049	SKU 291096	SKU 291071	SKU 291080



Forge Modern



Forge Heritage



\*Dimmer detail only, compatible dimmers sold separately.

