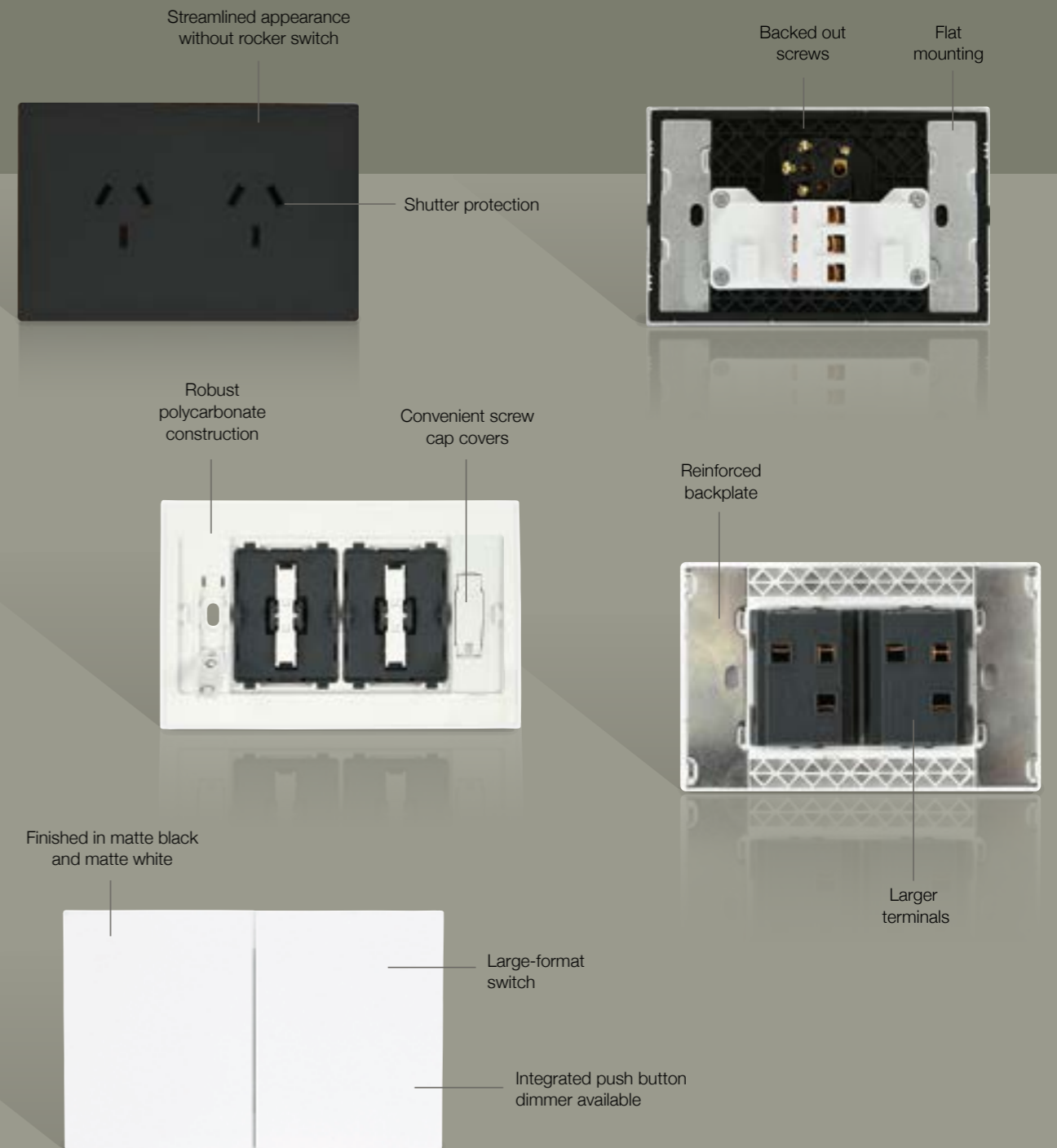
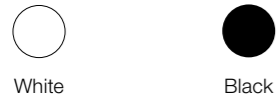


MFL Axis

MFL Axis redefines everyday essentials with bold, European-inspired large-format switches, dimmers, and powerpoints that make a confident design statement. Blending minimalist form with cutting-edge design, the range is engineered for modern interiors and finished in matte polycarbonate. Designed to elevate any architectural space, Axis delivers a striking combination of durability, elegance, and contemporary style.

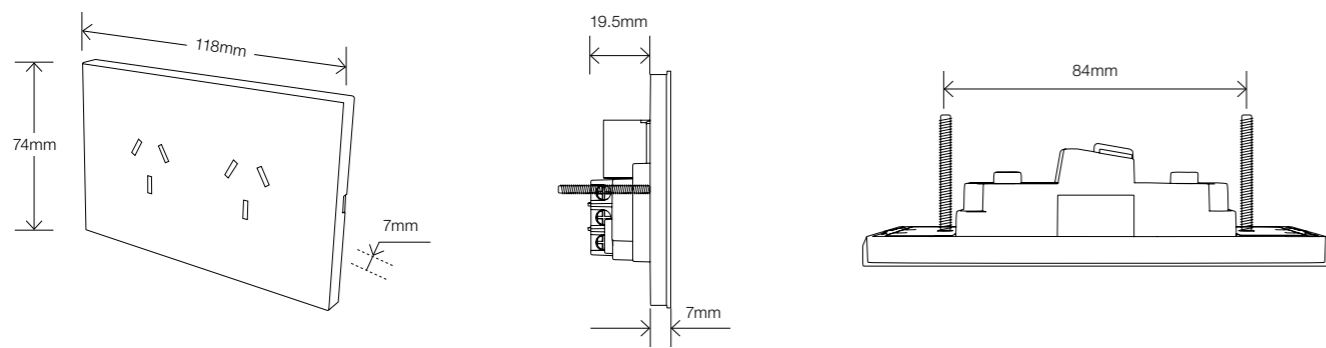


MFL Axis - Powerpoints



Mounting position Horizontal	Mounting centers 84mm	Mounted extension 7mm	Terminal screws PH2	Control type N/A	Terminal capacity 4 x 2.5mm ²
Stripping length 10mm	Recessed depth 20mm	Cut-out 95mm x 54mm	Warranty 10 years	Approval number SAA-251093-EA	Compliance standard AS/NZS 3112:2017 AS/NZS 3100:2022

			Twin Powerpoint	Twin Powerpoint Extra Switch
Colour	Material	Finish	SKU	SKU
White	Polycarbonate	Matte	297212	297214
Black	Polycarbonate	Matte	297213	297215

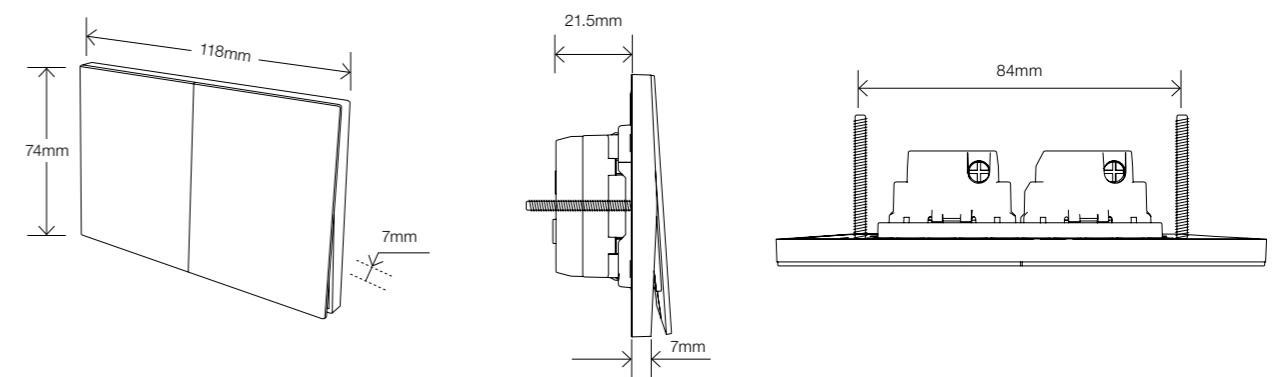


MFL Axis - Switches



Mounting position Horizontal	Mounting centers 84mm	Mounted extension 7mm	Terminal screws PH2	Control type Rocker	Terminal capacity 4 x 1.5mm ²
Stripping length 10mm	Recessed depth 20mm	Cut-out 95mm x 54mm	Warranty 10 years	Approval number SAA-251092-EA	Compliance standard AS 3133:2020 AS/NZS 3100:2022

				1G Switch	2G Switch	3G Switch
Colour	Material	Finish	SKU	SKU	SKU	
White	Polycarbonate	Matte	297200	297201	297202	
Black	Polycarbonate	Matte	297203	297204	297205	

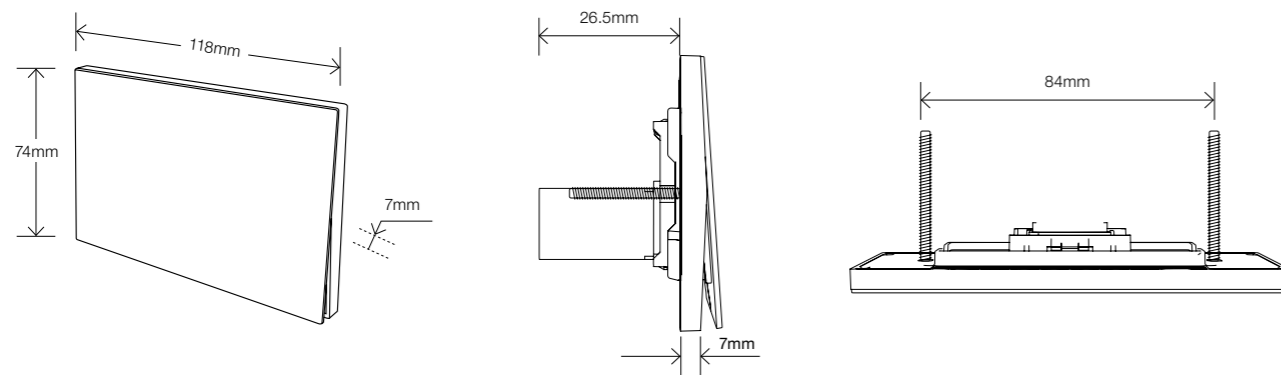


MFL Axis - Dimmer Switches



Mounting position Horizontal	Mounting centers 84mm	Mounted extension 7mm	Terminal screws PH1 dimmer PH2 switch	Control type Rocker	Terminal capacity 4x1.5mm ²
Stripping length 5mm	Recessed depth 45mm	Cut-out 95mm x 54mm	Warranty 10 years	Approval number SAA-251092-EA	Compliance standard AS 3133:2020 AS/NZS 3100:2022

Colour	Material	Finish	1G Dimmer SKU	2G Dimmer SKU	1G Dimmer + 1G Switch SKU
White	Polycarbonate	Matte	297206	297207	297208
Black	Polycarbonate	Matte	297209	297210	297211



MFL Axis - Intermediate Switch



Mounting position Horizontal	Mounting centers N/A	Mounted finish -	Terminal screws PH2	Control type Rocker	Terminal capacity 2 by 2 x 1.5mm ²
Stripping length 10mm	Recessed depth 25mm	Cut-out N/A	Warranty 10 years	Approval number SAA-251092-EA	Compliance standard AS 3133:2020 AS/NZS 3100:2022

Colour	Material	Finish	Compatible with 3G switch plates SKU	Compatible with 1G & 2G switch plates SKU
NA	Polycarbonate	NA	297216	297217

