

Buster + Punch

The Buster + Punch range blends cutting-edge design with premium functionality, drawing inspiration from London's street art and subculture scene. Available in polycarbonate matte black and white, as well as metal finishes in white, black, brass, smoked bronze and steel, the range offers stylish toggle switches and dimmers that can be customised with brass, stainless steel or smoked bronze detail kits. Each solid metal detail kit features Buster + Punch's signature diamond-cut cross-knurl pattern and distinctive screw caps for a tactile, industrial look. Easy to install and designed to pair seamlessly with matching powerpoints, this range brings bold, statement-making style to any space.

Signature cross-knurl detail for tactile feel



Toggles and screw caps can be upgraded to other finishes including brass, stainless steel, and smoked bronze



4mm flat plate



Durable polycarbonate structure



Details kits can be changed out into various colours



Discreet raised logo design



Signature coin screws



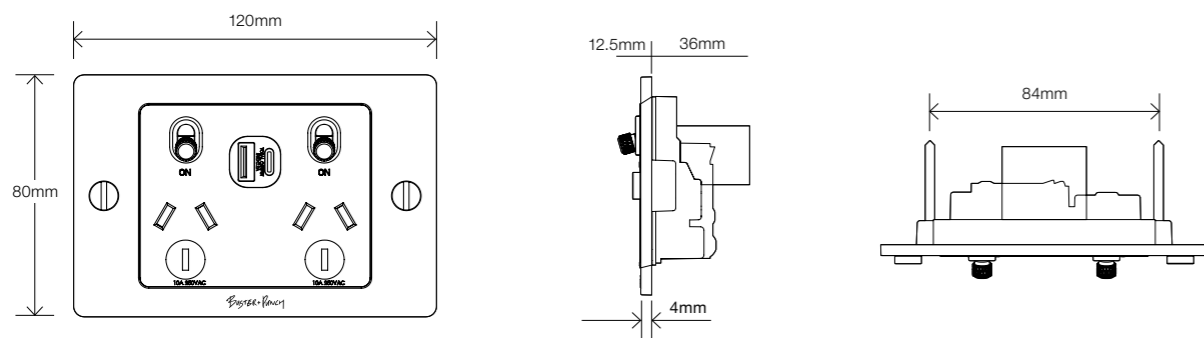
Captive screws

Buster + Punch Electricity Polycarbonate - Twin Powerpoints

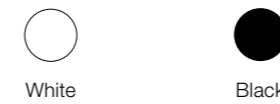


Mounting position Horizontal	Mounting centers 84mm	Mounted extension 6mm	Terminal screws PH2	Control type Toggle	Terminal capacity 4 x 2.5mm ²
Stripping length 16mm	Recessed depth Standard: 23mm USB A+C: 40mm	Cut-out 95mm x 54mm	Warranty 2 years	Approval number SAA-180906-EA	Compliance standard AS/NZS 3112 AS/NZS 3100

			Twin powerpoint	Twin powerpoint USB A+C
Colour	Material	Finish	SKU	SKU
White	Aluminium toggle, polycarbonate plate	Matte	299102	299104
Black	Aluminium toggle, polycarbonate plate	Matte	299103	299105

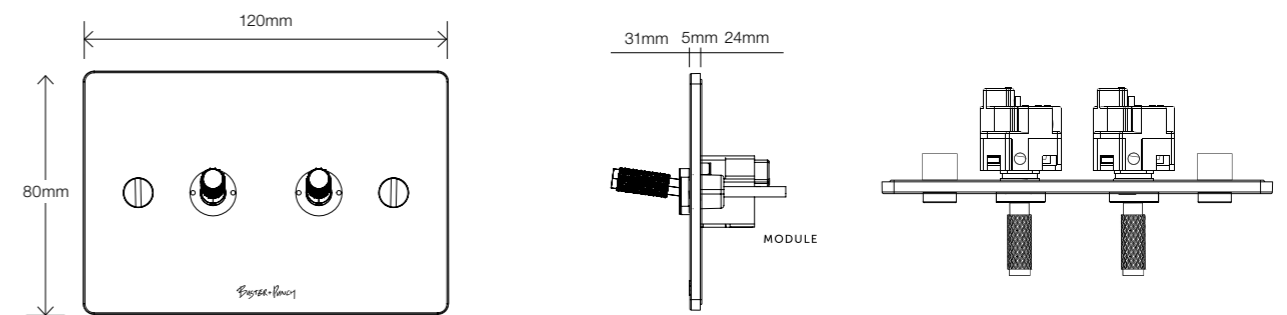


Buster + Punch Electricity Polycarbonatate - Switches



Mounting position Horizontal	Mounting centers 84mm	Mounted extension 5mm	Terminal screws SL3	Control type Toggle	Terminal capacity 2 x 1.5mm ²
Stripping length 8mm	Recessed depth 25mm	Cut-out 95mm x 54mm	Warranty 2 years	Approval number SAA-230472-EA	Compliance standard AS 3133 AS/NZS 3100

			1G Switch	2G Switch	3G Switch	4G Switch
Colour	Material	Finish	SKU	SKU	SKU	SKU
White	Aluminium toggle, polycarbonate plate	Matte	299094	299095	299096	299097
Black	Aluminium toggle, polycarbonate plate	Matte	299090	299091	299092	299093



BUSTER + PUNCH



BUSTER + PUNCH

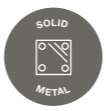
Buster + Punch Electricity Polycarbonate - Dimmers



White

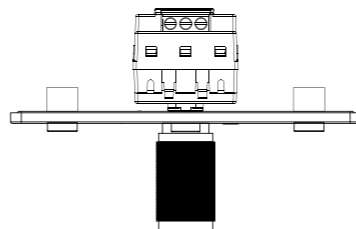
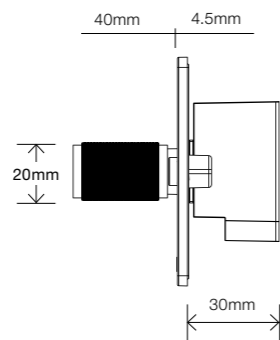
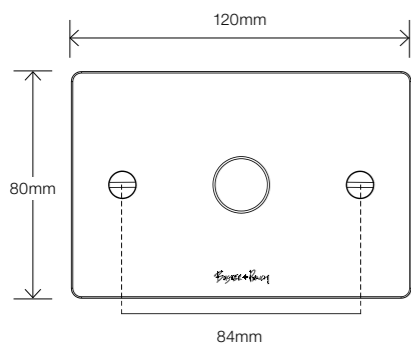


Black



Mounting position Horizontal	Mounting centers 84mm	Mounted extension 5mm	Terminal screws N/A	Control type Rotary	Terminal capacity N/A
Stripping length N/A	Recessed depth 22mm	Cut-out 95mm x 54mm	Warranty 2 years	Approval number SAA-202180-EA	Compliance standard AS/NZS 60669

			1G Dimmer	2G Dimmer
Colour	Material	Finish	SKU	SKU
White	Aluminium detail, polycarbonate plate	Matte	299100	299101
Black	Aluminium detail, polycarbonate plate	Matte	299098	299099



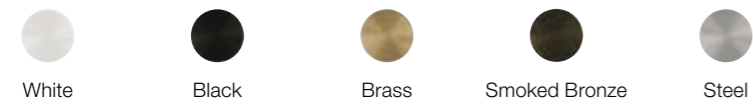
BUSTER + PUNCH



BUSTER + PUNCH

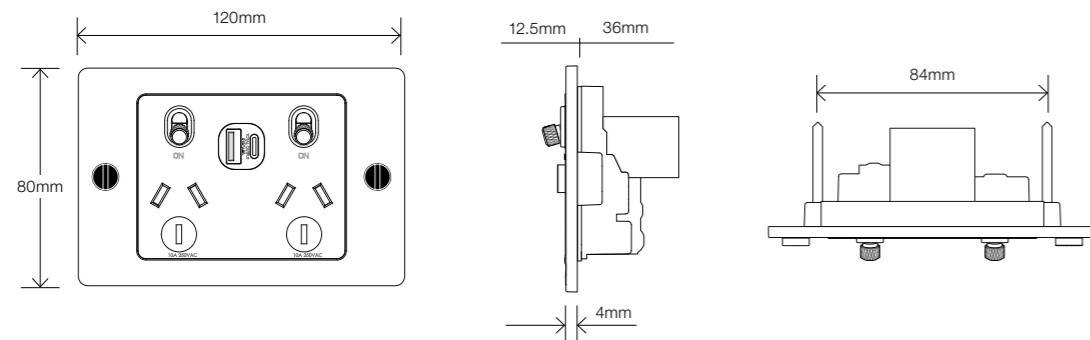


Buster + Punch Electricity Metal - Twin Powerpoints

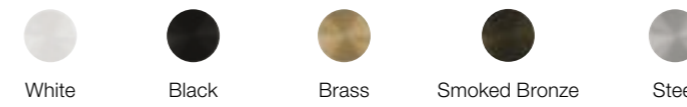


Mounting position Horizontal	Mounting centers 84mm	Mounted extension 4.5mm	Terminal screws PH2	Control type Toggle	Terminal capacity 4 x 2.5mm ²
Stripping length 16mm	Recessed depth Standard: 23mm USB A+C: 40mm	Cut-out 95mm x 54mm	Warranty 2 years	Approval number SAA-180906-EA	Compliance standard AS/NZS 3112 AS/NZS 3100

			Twin Powerpoint	Twin Powerpoint USB A+C
Colour	Material	Finish	SKU	SKU
White	Stainless steel	Matte Paint	299690	299695
Black	Stainless steel	Matte Paint	299691	299696
Brass	Brass metal	Clear laquer	299692	299697
Smoked Bronze	Stainless steel	Electroplated	299693	299698
Steel	Stainless steel	Electroplated	299694	299699

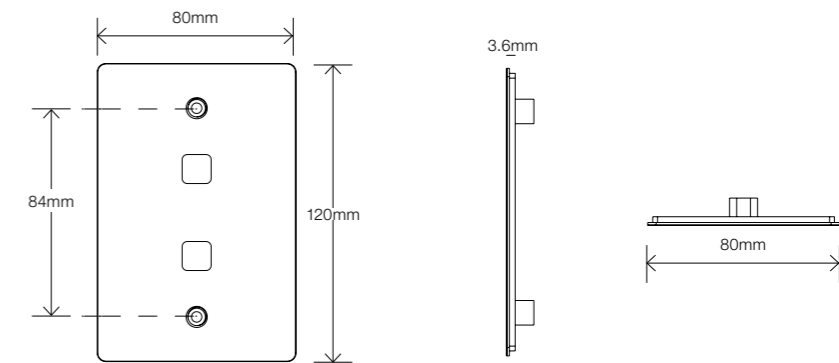


Buster + Punch Electricity Metal - Grid plates



Mounting position Horizontal or Vertical	Mounting centers 84mm	Mounted extension 3.6mm	Terminal screws Flat head	Control type Toggle	Terminal capacity 2 x 1.5mm ²
Stripping length 10mm	Recessed depth 25mm	Cut-out 95mm x 54mm	Warranty 2 years	Approval number SAA-231729	Compliance standard AS 3133 AS/NZS 3100

			1G Grid	2G Grid	3G Grid	4G Grid
Colour	Material	Finish	SKU	SKU	SKU	SKU
White	Stainless steel	Matte Paint	299670	299675	299680	299685
Black	Stainless steel	Matte Paint	299671	299676	299681	299686
Brass	Brass metal	Clear laquer	299672	299677	299682	299687
Smoked Bronze	Stainless steel	Electroplated	299673	299678	299683	299688
Steel	Stainless steel	Electroplated	299674	299679	299684	299689



BUSTER + PUNCH



BUSTER + PUNCH

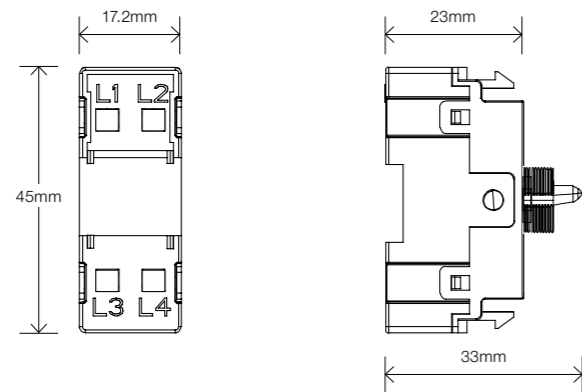
Buster + Punch - Mechanisms



Toggle 2-way mech SKU 299709 Intermediate mech switch SKU 299112 Retractive toggle mech SKU 299710 Dimmer mech 299711



Product	SKU	Rating	Warranty	Approval number	Compliance standard
Intermediate mech switch	299112	10AX	2 years	SAA-221305-EA	AS 3133:2020 AS/NZS 3100:2022
Toggle 2-way mech	299709	10AX	2 years	SAA-240105	AS 3133:2020 AS/NZS 3100:2022
Retractive toggle mech	299710	10A	2 years	SAA-221305-EA	AS 3133:2020 AS/NZS 3100:2022
Dimmer mech	299711	100W LED	2 years	SAA-231882	AS 60662 AS/NZS 60669.1:2020



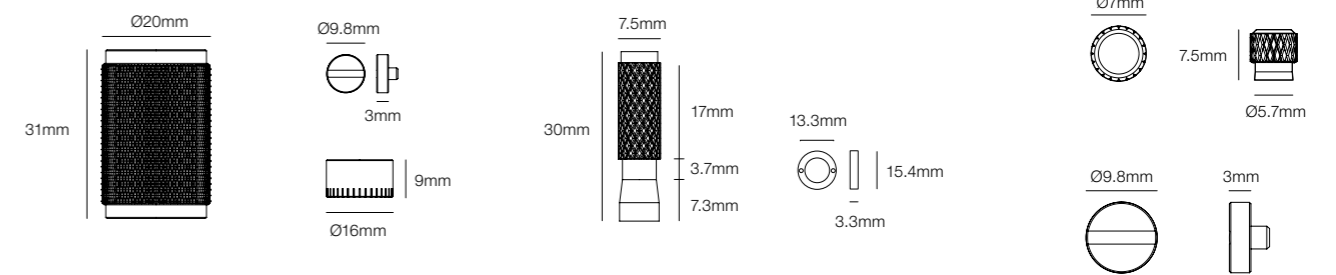
Buster + Punch - Details Kits



White Black Brass Smoked Bronze Steel



Colour	Material	Finish	Toggle detail SKU	Dimmer detail SKU	Powerpoint detail SKU
White	Aluminium	EPD	299700	299703	299706
Black	Aluminium	EPD	299704	299701	299707
Brass	Brass	Clear lacquer	299106	299108	299110
Smoked Bronze	Brass	Chemical aging + clear lacquer	299705	299702	299708
Steel	Stainless steel 304	Chemical polish	299107	299109	299111



BUSTER + PUNCH



BUSTER + PUNCH

