

Lucci Power®

---

THE PROFESSIONAL'S CHOICE

---



**Lucci** **Power**<sup>®</sup>

THE PROFESSIONAL'S CHOICE

Give your client's home or business a professional look with a wide range of slimline switches, power points, electrical accessories and more from Lucci Power. Featuring matte finishes, clean lines, UV protection and ultra-thin profiles, the Lucci Power range of switches and accessories provides an affordable yet stylish solution for every space.

## **Our Range**

- 3 - 6 Power Points & Switches
- 7 - 9 Weatherproof Power Points & Switches
- 10 Weatherproof Isolators
- 11 Surface Sockets
- 12 - 14 Mechs & Accessories
- 15 Cable Management
- 16 Oven Switch
- 17 Outdoor Infrared Sensor
- 18 Smoke Alarm



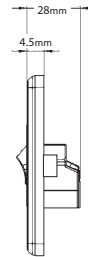
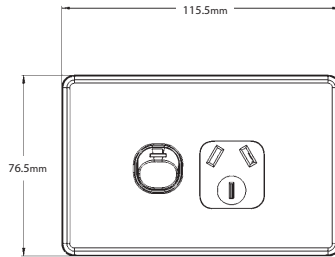
299120 // Single Power Point Switch,  
1 Gang, Matte White



299123 // Single Power Point Switch,  
1 Gang, Matte Black

## Single Power Points

- Switches approved to AS/NZS3133.
- Socket outlets approved to AS/NZS3112.
- Uses brass tunnel terminals that have the screws backed out for easier installation of cabling. Power point terminals have 5.8mm bore to suit 4 x 2.5mm<sup>2</sup> cable.
- Fits recessed Australian wall boxes and mounting accessories that use 84mm mounting centres.
- Covers, plates and dollies are made from UV stabilised polycarbonate to avoid discolouring.
- Available in Matte White or Matte Black.
- Typical example of size seen below:





299121 // Double Power Point Switch,  
2 Gang, 10A 250V~, Matte White



299124 // Double Power Point Switch,  
2 Gang, 10A 250V~, Matte Black



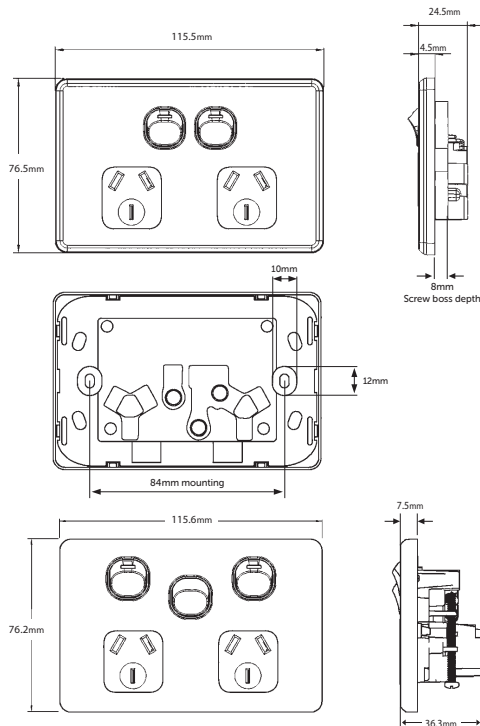
299122 // Double Power Point Switch,  
2 Gang, 10A 250V~, With Extra Switch  
10AX/16A, Matte White



299125 // Double Power Point Switch,  
2 Gang, 10A 250V~, With Extra Switch  
10AX/16A, Matte Black

## Double Power Points

- Switches approved to AS/NZS3133 or AS/NZS60669.
- Socket outlets approved to AS/NZS3112.
- Uses brass tunnel terminals that have the screws backed out for easier installation of cabling. Power point terminals have 5.8mm bore to suit 4 x 2.5mm<sup>2</sup> cable.
- Fits recessed Australian wall boxes and mounting accessories that use 84mm mounting centres.
- Covers, plates and dollies are made from UV stabilised polycarbonate to avoid discolouring.
- Available in Matte White or Matte Black.
- Typical example of size seen below:



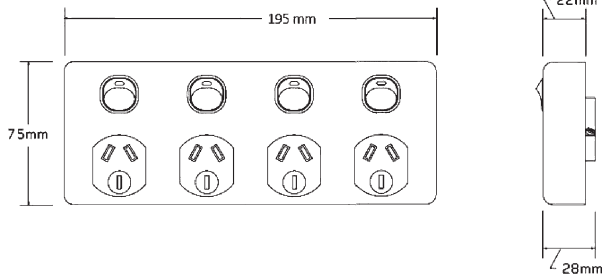


299176 // 4 Gang Fixed  
Power Point, White  
**DOUBLE POLE**

## Four Gang Fixed Power Point

- Approved to AS/NZS3112.
- Double pole surface mounted power point switches.
- 10A at 250V~
- Diameter 6mm terminal bores to suit 4 x 2.5 mm<sup>2</sup> cables.
- Fits 84mm mounting centres.
- Can retrofit into double power point cut out.
- Dolly indicator colour orange.
- Covers, plates and dollies are made from UV stabilised polycarbonate to avoid discolouring.
- Available in White only.

Product code	Description
299176	4 Gang Fixed Power Point



## Switches & Switch Plates

- Switches are rated 10AX/16A 250V~ and approved to AS/NZS3133.
- Fits recessed Australian wall boxes and mounting accessories that use 84mm mounting centres.
- Uses brass tunnel terminals that have screws backed out for easier installation of cabling. Switches are two way with looping terminal and suit 4 x 1.5mm<sup>2</sup> cabling with 4.1mm bore.
- Slotted head screws for the terminals.
- Covers, plates and dollies are made from UV stabilised polycarbonate to avoid discolouring.
- Available in Matte White or Matte Black.
- Plates suit most competitor mechs, including Clipsal 30 Style\* mechs and accessories.
- Typical example of size seen below:



299140 // Switch Vertical 1 Gang,  
10AX/16A 250V~, Matte White



299126 // Switch Plate Vertical 1 Gang,  
(Less Mech), Matte White



299146 // Switch Vertical 1 Gang,  
10AX/16A 250V~, Matte Black



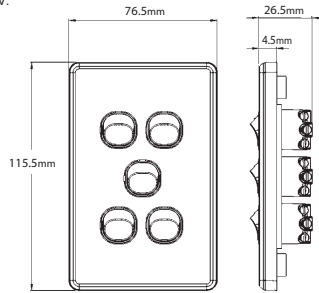
299133 // Switch Plate Vertical 1 Gang,  
(Less Mech), Matte Black



Example of cover plate only  
(grid and plate, less mech)



Example of cover plate with  
299173 data mech installed



Product code	Description
299140	Switch Vertical 1 Gang, 10AX/16A 250V~, Matte White
299141	Switch Vertical 2 Gang, 10AX/16A 250V~, Matte White
299142	Switch Vertical 3 Gang, 10AX/16A 250V~, Matte White
299143	Switch Vertical 4 Gang 10AX/16A 250V~, Matte White
299144	Switch Vertical 5 Gang 10AX/16A 250V~, Matte White
299145	Switch Vertical 6 Gang, 10AX/16A 250V~, Matte White
299126	Switch Plate Vertical 1 Gang (Less Mech), Matte White
299127	Switch Plate Vertical 2 Gang (Less Mech), Matte White
299128	Switch Plate Vertical 3 Gang (Less Mech), Matte White
299129	Switch Plate Vertical 4 Gang (Less Mech), Matte White
299130	Switch Plate Vertical 5 Gang (Less Mech), Matte White
299131	Switch Plate Vertical 6 Gang (Less Mech), Matte White
299132	Blank Plate & Cover, Matte White

Product code	Description
299146	Switch Vertical 1 Gang, 10AX/16A 250V~, Matte Black
299147	Switch Vertical 2 Gang, 10AX/16A 250V~, Matte Black
299148	Switch Vertical 3 Gang, 10AX/16A 250V~, Matte Black
299149	Switch Vertical 4 Gang 10AX/16A 250V~, Matte Black
299150	Switch Vertical 5 Gang 10AX/16A 250V~, Matte Black
299151	Switch Vertical 6 Gang, 10AX/16A 250V~, Matte Black
299133	Switch Plate Vertical 1 Gang (Less Mech), Matte Black
299134	Switch Plate Vertical 2 Gang (Less Mech), Matte Black
299135	Switch Plate Vertical 3 Gang (Less Mech), Matte Black
299136	Switch Plate Vertical 4 Gang (Less Mech), Matte Black
299137	Switch Plate Vertical 5 Gang (Less Mech), Matte Black
299138	Switch Plate Vertical 6 Gang (Less Mech), Matte Black
299139	Blank Plate & Cover, Matte Black

Lucci Switch Mechanisms - Please refer to Switch Mechanism Technical Data Sheet, page 12.

Lucci TV and Data Mechanisms - Please refer to Data Mechs & TV Mechs on Technical Data Sheet, pages 13 - 14.





299157 // Single Outdoor Switch IP66 White



299158 // Double Outdoor Switch IP66 White

## Weatherproof Switches

- 16AX/20A 250V~ rated modular weatherproof switches.
- Heavy duty switch mechanism with additional mech securing screws.
- The weatherproof product including dollies is made from UV Stabilised Polycarbonate to avoid discolouring.
- IP66 is ideal for prevention against water or harmful objects that may compromise conventional light switches. Perfect for use in exterior applications or damp/dusty environments such as building exteriors, carports, gardens or workshops.
- Available in White only.

Product code	Description
299157	Single Outdoor Switch IP66 White
299158	Double Outdoor Switch IP66 White





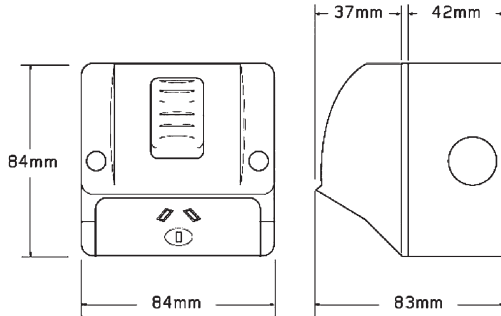
299154 // Single Outdoor PowerPoint IP54 10A, White



299156 // Single Outdoor PowerPoint IP54 15A, White

## Weatherproof Single Power Points

- 10A and 15A 250V~ rated modular weatherproof sockets.
- The weatherproof product including dollys, is made from UV Stabilised Polycarbonate to avoid discolouring.
- IP54 is ideal for prevention against water splashes or harmful objects that may compromise conventional socket outlets. Perfect for use in exterior applications, or damp/dusty environments - building exteriors, carports, gardens or workshops.
- Available in White only.
- **SOCKETS ARE IP54 RATED 'ZONE 2' READY.**  
No need for additional plastic socket flaps to achieve IP54 'ZONE 2' compliance for pools, wet areas and ponds; as per AS/NZS30000.



Product code	Description
299154	Single Outdoor PowerPoint IP54 10A White
299156	Single Outdoor PowerPoint IP54 15A White

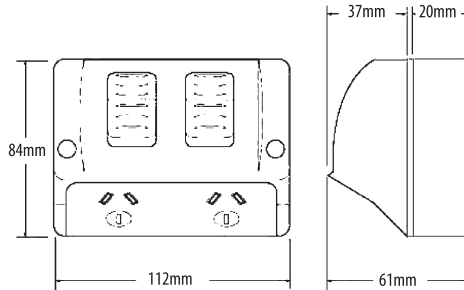


299155 // Double Outdoor PowerPoint IP54 10A, White

## Weatherproof Double Power Point

- 10A 250V~ rated modular weatherproof sockets.
- The weatherproof product including dollys, is made from UV Stabilised Polycarbonate to avoid discolouring.
- IP54 is ideal for prevention against water splashes or harmful objects that may compromise conventional socket outlets. Perfect for use in exterior applications, or damp/dusty environments - building exteriors, carports, gardens or workshops.
- Styling matches the rest of the Lucci Weatherproof products.
- Contains 25mm plain entries.
- Available in White only.
- **SOCKETS ARE IP54 RATED 'ZONE 2' READY.**

No need for additional plastic socket flaps to achieve IP54 'ZONE 2' compliance for pools, wet areas and ponds; as per AS/NZS30000.



Product code	Description
299155	Double Outdoor PowerPoint IP54 10A White



299152 // Weatherproof Isolator Small 20A 250V~ 1 Pole, White



299153 // Weatherproof Isolator Large 40A 250V~ 1 Pole, White

## Weatherproof Isolators

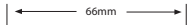
- Weatherproof Isolators are tested to AS/NZS3133 and AS/NZS IEC60947-3.
- The weatherproof larger enclosures feature twin 25mm threaded entries both top and bottom.
- The internal isolator switch modules are base mounted to provide a stable platform for wiring.
- More detail for switches can be seen in the table below.
- Packaging lid features cutting template for easy marking out.
- Available in White only.

### The switches feature:

- Combination head terminal screws.
- Alignment sleeves on the switch housing guides screwdriver into terminal screws and reduces chance of screwdriver tips jumping out.
- Terminal bores have plenty of space for wiring (see table for sizes).

Product code	Description
299152	Weatherproof Isolator Small 20A 250V~ 1 Pole White
299153	Weatherproof Isolator Large 40A 250V~ 1 Pole White

Weatherproof Isolator part number	No. of poles	Current rating	Voltage	Utilization category	Motor Rating	IP Rating	Top Entries	Bottom Entries	Terminal screw drive	Terminal hole size	Padlock hole	Width	Height	Depth
<b>299152</b>	1	20A	250V ac	-	M100	IP65	2 x 25mm Plain	2 x 20mm Plain	#1 Philips/ Flat combo	Dia 4.5mm	8.4mm	84mm	84mm	83mm
<b>299153</b>	1	40A	250V ac	-	M220	IP66	2 x 25mm Threaded	2 x 25mm Threaded	#2 Philips/ Flat combo	Dia 6.5mm	8.4mm	84mm	164mm	84mm



299179 // Surface Socket,  
250V, 10amp, Three pins,  
White

## Surface Socket [299179]

- Suitable for 90mm downlight holes.
- Diameter 66mm.
- Depth 55mm (including backing plate).
- 10A 250V~ Three pins.
- Combination head screws.
- Clean Precision break out for TPS cabling.
- The backing plate has raised edges with clean breakouts and apertures for TPS cabling.
- Nail plate entry/exit points.
- Multiple fixing points including external tabs for cable ties, clouts and screws.
- Cover 'push clips' onto backing plate.
- Available in White only.

Product code	Description
299179	Surface Socket, 250V, 10amp, Three Pins



299180 // Surface Socket,  
250V, 10amp, Three pins,  
Fast Connect, White

## Surface Socket, Fast Connect [299180]

### Surface Socket, 250V, 10amp, Three Pins

- Suitable for 90mm downlight holes.
- Depth 46mm.
- 10A 250V~ Three pins.
- Multiple fixing points including external tabs for cable ties, clouts and screws.
- Cover 'push clips' onto backing plate.
- Colour : White.
- Suitable for 1.0mm<sup>2</sup> to 2.5mm<sup>2</sup> TPS.
- Suitable for end or mid cable mounting.
- Fast Connect design.
- Available in White only.

Product code	Description
299180	Surface Socket, 250V, 10amp, Three Pins, QC



299159 //  
Switch Mechanism  
10AX/16A 250V~  
Matte White



299166 //  
Switch Mechanism  
Double Pole 10AX 250V~  
Matte White



299162 //  
Switch Mechanism  
32A 250V~ Matte White,  
(Labelled HOB)



299163 //  
Switch Mechanism 32A  
250V~ Matte White,  
(Labelled OVEN)



299161 //  
Switch Mechanism  
32A 250V~ Matte White



299164 //  
Switch Mechanism  
Intermediate 10AX  
250V~ Matte White



299160 //  
Switch Mechanism  
10AX/16A 250V~  
Matte Black



299119 //  
Switch Mechanism  
Double Pole 10AX 250V~  
Matte Black



299117 //  
Switch Mechanism  
32A 250V~ Matte Black  
(Labelled HOB)



299118 //  
Switch Mechanism  
32A 250V~ Matte Black  
(Labelled OVEN)



299116 //  
Switch Mechanism 32A  
250V~ Matte Black



299165 //  
Switch Mechanism  
Intermediate 10AX 250V~  
Matte Black

## Switch Mechs

- Designed to clip into Lucci switch plates; also fits many other brands.
- Uses brass tunnel terminal that have the screws backed out for easier installations of cabling.
- Two way with looping terminal.
- Suits 4 x 1.5mm<sup>2</sup> cables with 4.1mm bore.
- Slotted head terminal screws, and backed out for easy installation.
- Made from UV stabilised polycarbonate to avoid discolouring to yellow.
- Range incorporates standard, double pole, intermediate and 32 amp mechanisms .
- Available in Matte White and Matte Black.

Product code	Description
299159	Switch Mechanism 10AX/16A 250V~ Matte White
299161	Switch Mechanism 32A 250V~ Matte White
299162	Switch Mechanism 32A 250V~ Matte White (Labelled HOB)
299163	Switch Mechanism 32A 250V~ -Matte White (Labelled OVEN)
299164	Switch Mechanism Intermediate 10AX 250V~ Matte White
299166	Switch Mechanism Double Pole 10AX 250V~ Matte White
299160	Switch Mechanism 10AX/16A 250V~ Matte Black
299165	Switch Mechanism Intermediate 10AX 250V~ Matte Black
299116	Switch Mechanism 32A 250V~ Matte Black
299117	Switch Mechanism 32A 250V~ Matte Black (Labelled HOB)
299118	Switch Mechanism 32A 250V~ Matte Black (Labelled OVEN)
299119	Switch Mechanism Double Pole 10AX 250V~ Matte Black



299171 //  
RJ45 CAT3 Phone Jack, White



299172 //  
Data Outlet Clip in Mechanism  
(100mbs) - CAT5e, White



299173 //  
Data Outlet Clip in Mechanism  
(1000mbs) - Cat6, White

## Data Mechs

### 299171 - RJ45 Cat3 Phone Jack

- Approved to AS/CA S008.
- Clips into standard plate aperture.
- Terminates with the Krone® tool.
- Has phone symbol on front of jack.
- Contains four (4) contact termination points.
- Available in White only.

### 299172 - CAT5e Data Jack Clip in Mech

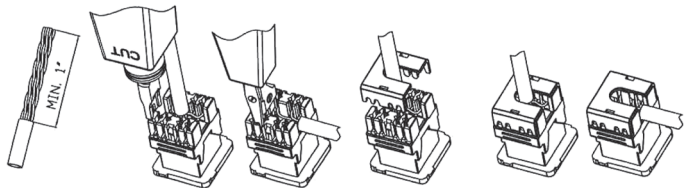
- Approved to AS/CA S008.
- Clips into standard plate aperture.
- Terminates with both the Krone® and 110 tools.
- Available in White only.

### 299173 - CAT6 Data Jack Clip in Mech

- Approved to AS/CA S008.
- Clips into standard plate aperture.
- Terminates with both the Krone® and 110 tools.
- Available in White only.

®Krone is a registered trademark of Krone G.M.B.H

**This termination instruction is for 299172 and 299173 only**



**STEP 1:**  
Strip off at least 1 inch of jacket from end of cable.

**STEP 2:**  
Insert wires into IDC's according to the desired wiring configuration (T568B/T568A).  
Terminate wires using punch down tool. Make sure the tool is set to trim excess wire as shown.  
\*Do not untwist the wire pairs until the punch down tool has trimmed them flush.

**STEP 3:**  
Place termination cap on jack and press cap to make sure it is fully seated.

**STEP 4:**  
Adjust the cable to a suitable position in the opening of the cap.





299170 //  
HDMI® Flat Ribbon -  
Fem to Fem 12.5cm

## HDMI® Accessories

### HDMI® Flat Ribbon - Fem to Fem 12.5cm

The Lucci HDMI connectors and cables are manufactured and tested in accordance with the HDMI 2.0 specification.

- HDMI 2.0 is backwards compatible with earlier versions of the HDMI specification.
- Bandwidth up to 18Gbps.
- Resolutions up to 4K@50/60 (2160p), which is 4 times the clarity of 1080p/60 video resolution.
- Up to 32 audio channels.
- Up to 1536kHz audio sample frequency.
- Simultaneous delivery of dual video streams to multiple users on the same screen.
- Simultaneous delivery of multi-stream audio to multiple users (up to 4).
- Support for the wide angle theatrical 21:9 video aspect ratio.
- Dynamic synchronization of video and audio streams.

Product code	Description
299170	HDMI® Flat Ribbon 12.5cm





299167 //  
Brush Cable Management  
Recessed Bullnose Plate, White

## Brush Cable Management Recessed Bullnose Plate

- Excellent dust sealing solutions for telecommunications and data cabling applications.
- They are ideal for positioning behind a wall mounted television, home theatre and component systems.
- The cabling remains neat and tidy with a minimum visually exposed out of the wall cavity.
- The large openings allow multiple cables to be accommodated at once.
- Available in White and Black.



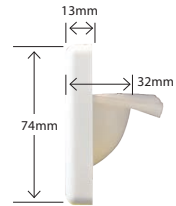
299168 //  
Brush Cable Management  
Recessed Bullnose Plate, Black



Front view



Rear view



Side view

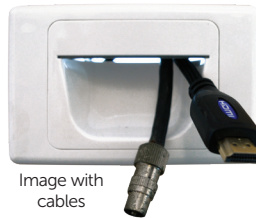


Image with  
cables

Product code	Description
299167	Brush Cable Management Recessed Bullnose Plate, White
299168	Brush Cable Management Recessed Bullnose Plate, Black

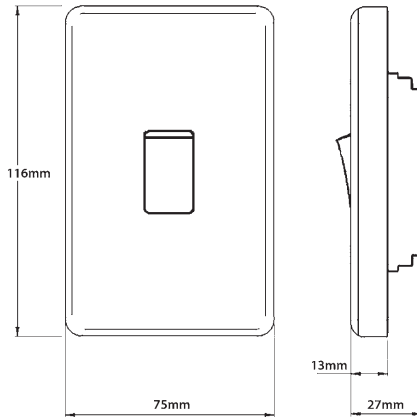


299177 //  
Switch Oven 45A 250V~  
Double Pole - Vertical, White

## Oven Switch

### 45A 250V~ Double Pole, Vertical

- Switch approved to AS/NZS60669.1.
- 45A 250V~, Double Pole.
- Terminal bore 6.5mm diameter.
- Cover, plate and dolly is made from UV stabilised polycarbonate to avoid discolouring.
- Available in White only.



Product code	Description
299177	Switch Oven 45A 250V~ Double Pole - Vertical



299181 // Outdoor Infrared Sensor, White



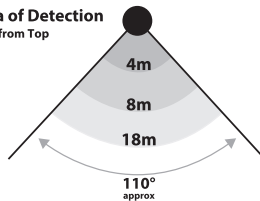
299182 // Outdoor Infrared Sensor, Black

## Outdoor Infrared Sensor

- Sensor uses Passive Infrared technology.
- Manual override for greater convenience.
- 110° detection up to 18 metres.
- Suitable for installing on walls and ceilings both interior and exterior.
- Fits standard mounting blocks using 84mm centres.
- 3 wire design (Active, Neutral, Sensor load) for greater reliability.
- Relay in circuit allows for loads up to 2400W (incandescent).
- Easy mounting and adjustment.
- Easy distance, light level and on time adjustment.
- LED compatible.
- IP66 Rating.
- Minimum load <10W.
- Must be installed by a licensed electrician.
- Screw caps included.
- Available in White or Black.

Product Specification	
Voltage	220-240V/AC
Time Duration	5 seconds to 10 minutes (time button is adjustable)
Time Delay	Minimum: 5 - 10 seconds on initial power up at installation
Detection Method	Passive Infrared
Detection Angle	Up to 110°
Lux Control Level	<2 LUX
Detection Distance	Up to 18m depending on installation variable
Load	2400W incandescent / 1200W inductive
Power Consumption	0.7W

**Area of Detection**  
View from Top





299178 // Photoelectric Smoke Alarm  
with Hinged Base Plate, 4 Terminals

## Photoelectric Smoke Alarm

- Tested and approved to AS3786:2014.
- Operate as single unit or inter-connect up to 24 units.
- This smoke alarm is not designed to be interconnected with other brands or accessories unless specified.
- Activfire listed.
- Loud 85dBA warning siren.
- Repeating 3 long beeps (ISO 8201).
- Indicates when particles of combustion have been detected.
- 240V~ AC with 9V DC battery backup.
- Warning for low battery.
- Surface mount base plate with large cable terminals.
- Single test and hush button.
- Red LED alarm status indication.
- Green LED AC mains power indication.
- Anti-tamper feature.
- Photoelectric sensing technology.
- Insect screen protects sensing chamber.
- Sleek styling.
- Easy slide base plate.
- Suitable for ceiling or wall mounting.
- Ten year warranty.
- Battery not included.
- Available in White only.

