

PETITE SMALL LED BUNNY LIGHT

SKU# 000986

Rated Voltage 4.5V

Thank you for purchasing this quality Lucci product. To ensure correct function and safety, please read and follow all instructions carefully before assembly, installation and use of this product. Please keep the instructions for future reference.

Warranty

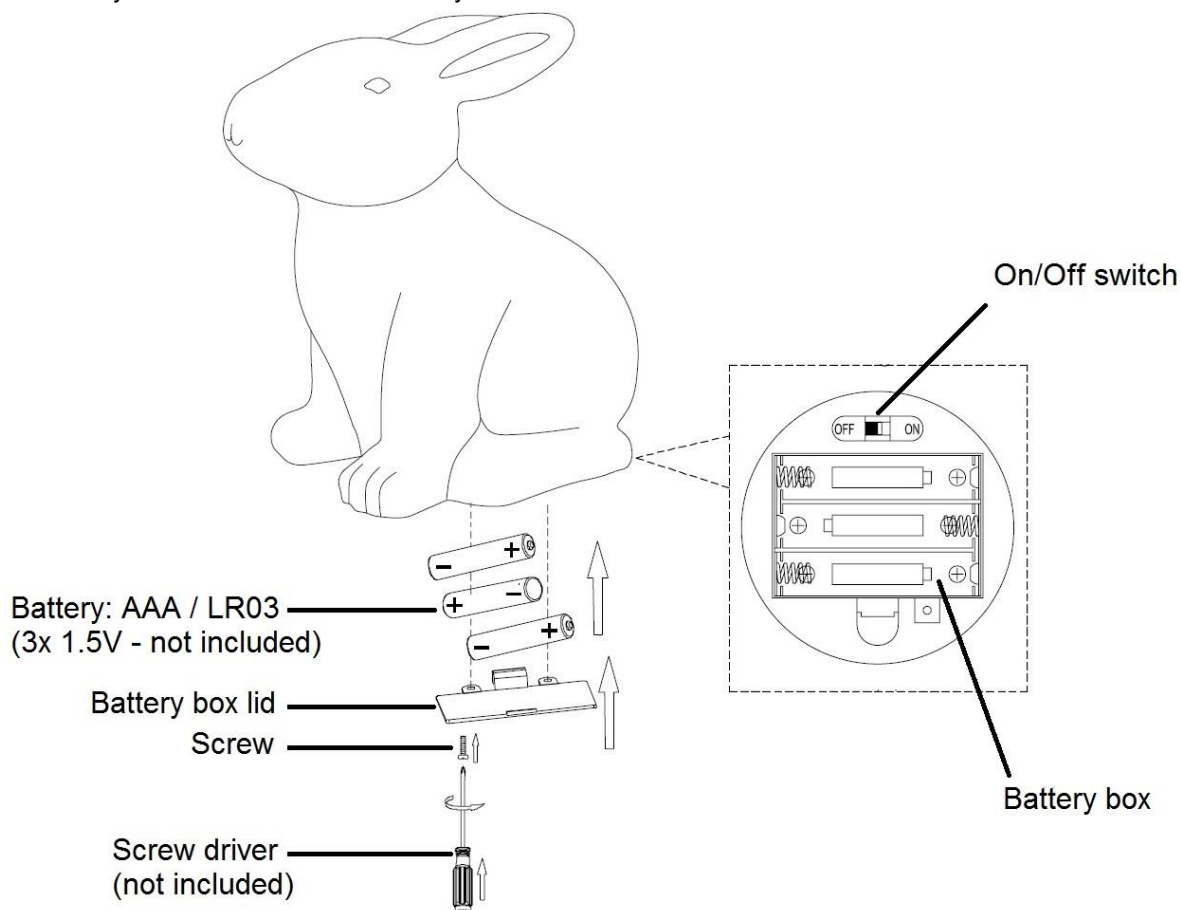
- This fitting is covered by a 12 month warranty from the date of purchase. Please retain proof of purchase.
- Warranty will be void if there is any damage due to improper usage or modification to the fitting.
- Failure to comply with the instructions in this manual may increase the risk of damage or injury and will void warranty.

Installation Requirements

- **Tools Required:** Phillips head screwdriver (not included)
- **Batteries Required:** 3x 1.5V AAA / LR03 batteries (not included)
- Lay out all the components on a smooth surface and make sure there are no components missing. If parts are missing, return the complete product to the place of purchase for inspection or replacement.
- Check whether the fitting has been damaged during transport. Do not operate/install any product which appears damaged in any way. Return the complete product to the place of purchase for inspection, repair or replacement.

Battery Installation

1. Use a small Phillips head screw driver (not included) to loosen the screw from the battery box lid.
2. Pull the tab and lift out the battery box lid from the battery box.
3. Install 3x AAA / LR03 batteries into the battery box. Ensure the batteries are inserted with the correct polarity.
4. Install the battery box lid back over the battery box and secure with the screw.



Operation Directions

1. Select a suitable location for this product:
 - This product is not waterproof.
 - This product is suitable for indoor use only.
 - Keep away from liquids, direct sunlight, dusty, humid or hot areas.
2. Use the on/off switch located on the base of the fitting to turn the product on or off.
3. The light will change colour automatically, gradually transitioning between red, green and blue.
4. The transitioning colours cannot be manually changed or be paused.
5. This product is not rechargeable and is operated by 3x 1.5V AAA / LR03 batteries (not included).

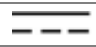
Battery Tips and Warnings

- **WARNING – KEEP BATTERIES OUT OF REACH OF CHILDREN.**
- Swallowing may lead to serious injury due to chemical burns and potential perforation of the oesophagus.
- If you suspect your child has swallowed or inserted a battery, immediately call the 24-hour Poisons Information Centre on **13 11 26** for fast, expert advice.
- Regularly check the product and make sure the battery box is correctly secured.
e.g. The screw and battery box lid is tightened. Do not use if battery box lid is not secure.
- If the battery box lid has been cracked or damaged, do not continue to use this product.
- Dispose of used batteries immediately and safely (so they cannot be retrieved by children).
- Exhausted batteries are to be removed from the product.
- Always replace a full set of batteries:
 - Do not mix old/used batteries and new batteries.
 - Do not mix different battery brands.
 - Do not mix different battery types (eg. alkaline with lithium or other battery types).
- Batteries shall only be installed or replaced by an adult.
- Do not use rechargeable batteries in this product.
- The supply terminals are not to be short-circuited.
- Ensure the batteries are inserted with the correct polarity.
- Remove batteries from the product when not in use for long periods of time.

Safety Tips

- This product is NOT a toy. Keep out of reach of small children. NOT recommended for children aged 3 and under.
- Young children should be supervised to ensure that they do not play with this product.
- This product is for decorative purposes only.
- This product is not suitable to be painted.
- Handle the fitting with care, do not squeeze or bend the fitting as this may damage the internal components.
- The LEDs are not replaceable and there are no serviceable parts, do not attempt to dismantle or open the product.
- To clean, wipe with a soft damp cloth. Do NOT soak or immerse the product in water or other liquids.
- Ensure that the fitting does not come in contact with corrosive chemicals/solvents or abrasive cleaners etc.

Specifications

SKU #	000986
Rated Voltage	4.5V 
Battery Size	3x 1.5V AAA / LR03 batteries (not included)
Weight	0.2kg
Dimensions	H:170mm L:180mm W:115mm