

Installation Instructions
SKU# 010884
(LD-MD-112029A/1L/BK)
Rated Voltage 220-240V, 50Hz

THANK YOU FOR PURCHASING THIS QUALITY LUCCI PRODUCT, TO ENSURE CORRECT FUNCTION AND SAFETY, PLEASE READ ALL INSTRUCTIONS CAREFULLY BEFORE USING THE PRODUCT AND KEEP THE INSTRUCTIONS FOR FUTURE REFERENCE.

WARRANTY:

- This light fitting is covered by a 12 month warranty; please retain proof of purchase and evidence of installation by a licensed electrician.
- Warranty will be void if there is any damage due to improper usage or modification to the fitting.

INSTALLATION REQUIREMENTS:

- **Must be installed by a licensed Electrician.**
- **Must be installed according to the current wiring rules AS/NZS3000.**
- **Do not exceed the maximum wattage rating.**
- **Only suitable for use “indoors”.**
- **The mounting point must be able to support 4 times the weight of the fitting.**

INSTALLATION DIRECTIONS:

- Take care not to pull any electrical wires during unpacking as this may damage the connection.
 - Lay out all the components on a smooth surface and make sure there is no component's missing before assembling.
 - Check whether the fitting has been damaged during transport. Do not operate/install any product which appears damaged in any way. Return the complete product to the place of purchase for inspection, repair or replacement.
 - Ensure all power to the circuit you are working on has been switched OFF.
1. Select a suitable location for installation. Ensure the fitting is not installed next to any air vents and is not in any moist or damp areas.
 2. Remove the mounting bracket (B) from the canopy (F) by loosening the screws (E) on the side.
 3. Use the mounting bracket as a template to mark the screw positions onto the ceiling.
 4. Drill holes into the ceiling and push the anchors (A) into the holes.
 5. Install the mounting bracket (B) onto the ceiling using the mounting screws (C) provided. Ensure the screws used are suitable for the mounting surface and that the mounting surface can hold 4 times the weight of the fitting.
 6. Connect the mains supply wire to the light fitting using the terminal block (D) provided. Ensure that the wires are secure and no bare wires are exposed.

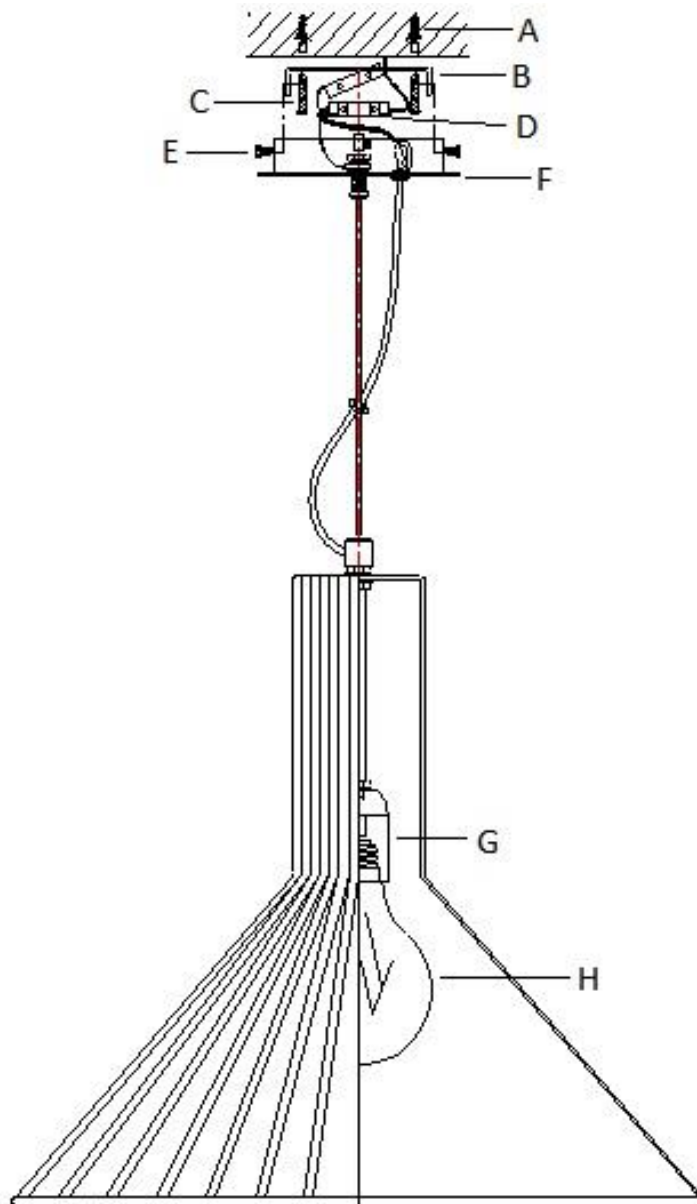
Mains Supply Wire

Earth – Yellow/Green ⊕
Neutral – Blue or Black
Live – Brown or Red

Fitting Wire

Yellow/Green
Blue
Brown

7. Attach the canopy back onto the mounting bracket by tightening the screws (E) on the side.
8. Install a light bulb (H – not included) into the lamp holder (G).
9. Turn on power and enjoy your new lighting product.



TIPS:

1. Always ensure the power is OFF and the fitting has cooled down before performing any maintenance or adjustment to the fitting.
2. To avoid injury or damage to the fitting, ensure that power leads and screws are secure before connecting the power.
3. Handle the fitting and cover/shade with care to avoid breakage.
4. When changing or cleaning bulbs, turn OFF power and allow to cool. Do not touch bulbs with bare hands, use gloves or a tissue.
5. Find a suitable location away from liquids and hazards.
6. Ensure that the fitting does not come in contact with corrosive chemicals, etc.
7. To clean, wipe with a damp clean cloth. Never soak the fitting with water.

SPECIFICATIONS:

SKU #	MODEL #	RATED VOLTAGE	RATED WATTAGE	LAMP HOLDER
010884	LD-MD-112029A/1L/BK	220-240V~ 50Hz	1 x Max. 60W	E27