

**Installation Instructions**  
**SKU# 010903 (LD-LBMP-ZS-A-550)**  
**Rated Voltage 220-240V~ 50Hz**

**THANK YOU FOR PURCHASING THIS QUALITY LUCCI PRODUCT. TO ENSURE CORRECT FUNCTION AND SAFETY, PLEASE READ ALL INSTRUCTIONS CAREFULLY BEFORE USING THE PRODUCT AND KEEP THE INSTRUCTIONS FOR FUTURE REFERENCE.**

**WARRANTY:**

- This light fitting is covered by a 12 month warranty; please retain proof of purchase and evidence of installation by a licensed electrician.
- Warranty will be void if there is any damage due to improper usage or modification to the fitting.

**INSTALLATION REQUIREMENTS:**

- **Must be installed by a licensed Electrician.**
- **All wiring and installation of the light fitting must adhere to local and national wiring rules. eg. AS/NZS 3000:2007/Amendment 2:2012 Electrical installations.**
- **Do not exceed the maximum wattage rating.**
- **Select a suitable location for installation;**
  - **This product is suitable for indoor use only.**
  - **Ensure the fitting is not installed next to any air vents and is not in any moist or damp areas.**
  - **The mounting point must support 2 times the weight of the fitting.**
- **Take care not to pull any electrical wires during unpacking as this may damage the connection.**
- **Lay out all the components on a smooth surface and make sure there are no components missing before assembling.**
- **Check whether the fitting has been damaged during transport. Do not operate/install any product which appears damaged in any way. Return the complete product to the place of purchase for inspection, repair or replacement.**
- **Ensure power to the circuit you are working on has been switched OFF.**

**INSTALLATION DIRECTIONS:**

1. Remove all packaging material from the product.
2. Remove the mounting bracket (C) from the canopy (E) by loosening the screws (B) on the side.
3. Use the mounting bracket (C) as a template to mark the screw positions on the ceiling.
4. Install the mounting bracket (C) onto the ceiling by using appropriately sized mounting screws (D) and anchors (A). Ensure the screws (D) and anchors (A) used are suitable for the mounting surface.
5. Loosen the cord anchorage (F) and adjust the length of suspension to the desired height. Tighten the cord anchorage (F) and be careful not to damage the cord.
6. Remove the cover from the terminal block (G) and connect the mains supply wire.

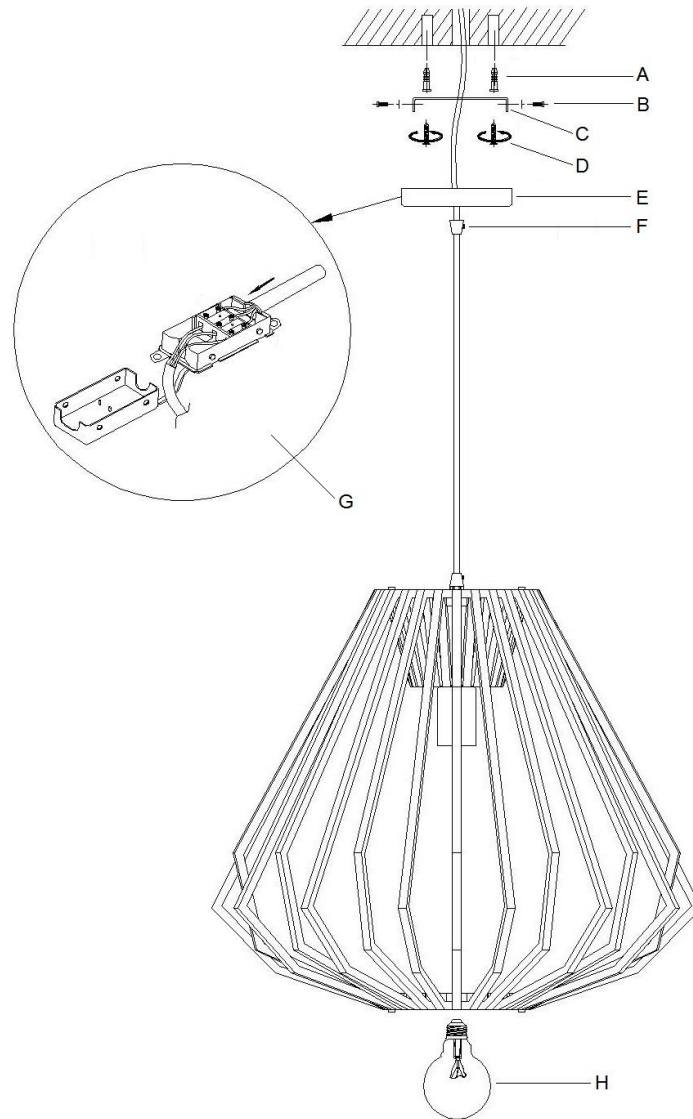
**Mains Supply Wire**

Earth – Yellow/Green  
Neutral – Blue or Black  
Live – Brown or Red

**Fitting Wire**

Yellow/Green ⊕  
Blue  
Brown

7. Ensure the wires are secure and no bare wires are exposed.
8. Install the cover back over the terminal block (G).
9. Install the canopy (E) onto the mounting bracket (C) by tightening the screws (B) on the side.
10. Install a globe (H - not included) into the lamp holder. Do not exceed the maximum wattage rating.



**SAFETY TIPS:**

1. Always ensure the power is OFF and the fitting has cooled down before performing any maintenance, cleaning, changing the globe or adjustment to the fitting.
2. Do not touch the globe with bare hands. Use a clean cloth, gloves or a tissue.
3. To avoid injury or damage to the fitting, ensure that power leads and screws are secure before connecting the power.
4. Select a suitable location away from liquids and hazards.
5. Ensure that the fitting does not come in contact with corrosive chemicals, etc.
6. To clean, wipe with a damp clean cloth. Never soak the fitting with water.

**SPECIFICATIONS:**

<b>SKU #</b>	010903
<b>MODEL #</b>	LD-LBMP-ZS-A-550
<b>RATED VOLTAGE</b>	220-240V~ 50Hz
<b>RATED WATTAGE</b>	60W MAX
<b>LAMP HOLDER</b>	ES
<b>WEIGHT</b>	2.2kg
<b>DIMENSIONS</b>	540mm x 475mm (Dia x H) Susp: 1200mm