

ENHANCE ROUND PLATE

SKU# 011360, 011361, 011362, 011363

Rated Voltage 220-240V~ 50Hz

Thank you for purchasing this quality Lucci product. To ensure correct function and safety, please read and follow all instructions carefully before assembly, installation and use of this product. Please keep instructions for future reference.

NOTE: This product is designed to be used in combination with pendant fittings which are sold separately. This product is not DIY. A licensed electrician is required for any installation.

Warranty

- This light fitting is covered by a 12 month warranty. The warranty is from date of purchase, not the date of installation.
- If the fitting is not installed by a licensed electrician the warranty will be void.
- Please retain proof of purchase and evidence of installation by a licensed electrician.
- Warranty will be void if there is any damage due to improper usage or modification to the fitting.
- Failure to comply with the instructions in this manual may increase the risk of damage or injury and will void warranty.

Installation requirements

- Must be installed by a licensed electrician.
- All wiring and installation of the light fitting must adhere to local and national wiring rules.
eg. AS/NZS 3000:2007/Amendment 2:2012 Electrical installations.
- Do not exceed the maximum wattage rating.
- Select a suitable location for installation:
 - This product is suitable for indoor use only.
 - The mounting point must support 2 times the weight of the whole fitting.
 - Ensure the fitting is not installed in direct line of an air vent/system.
 - When installing a fitting in an area prone to moisture, ensure that area is well ventilated and an appropriately rated exhaust fan is used if required. Damage or corrosion caused by moisture is not a product fault, and as such is not covered under warranty.
- Take care not to pull any electrical wires during unpacking as this may damage the connection.
- Lay out all the components on a smooth surface and make sure there are no components missing before assembling. If parts are missing, return the complete product to the place of purchase for inspection or replacement.
- Check whether the fitting has been damaged during transport. Do not operate/install any product which appears damaged in any way. Return the complete product to the place of purchase for inspection, repair or replacement.
- Ensure power to the circuit you are working on has been switched OFF before commencing any electrical work.

Installation directions

Remove all packaging material from the product and be careful not to throw away accessories that may be hidden within the packaging material. To help with assembly, lay the fitting on its side on a smooth non scratch surface.

Disassembly of existing pendant fittings (Figure 1)

1. Take the existing pendant fitting (A - not included) and loosen the wires at the terminal block and the earth wire.
2. Loosen the cord anchorage at the canopy and carefully remove the wiring from the canopy.
3. Only the main wire and lamp holder (B) are required for connection in the new canopy.

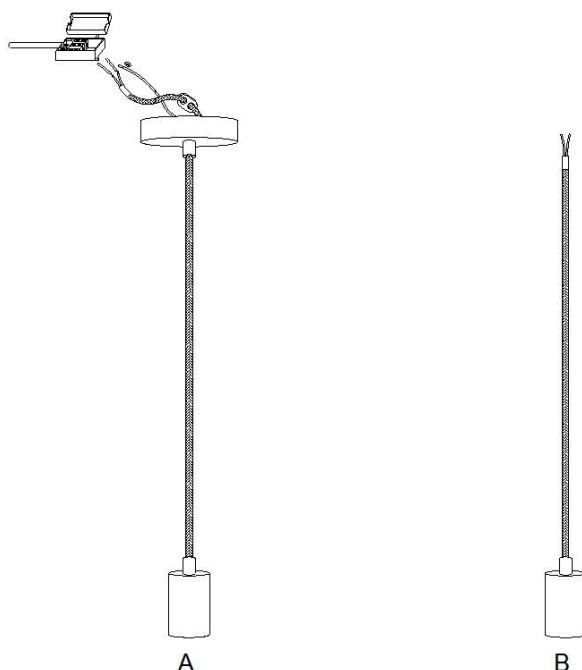


Fig. 1

Connection to new canopy (Figure 2)

1. Insert the main wires (A) into the holes of the new canopy.
NOTE: Each light point can hold Max. 4kg fitting. Total load to canopy must not exceed the weight listed in Specifications.
2. Install the cord anchorage (D) onto each wire.
3. Secure the main wires on the canopy (B) by tightening the plastic screws (C).
4. Place the medium sized heat shrink tube (M) onto the end of each main wire.
5. Place the small sized heat shrink tube (G) onto the end of each live wire and each neutral wire.
6. Join all the 'live' wires (Brown wires) together including the connection wire (H) supplied.
7. Insert the live wires into the close-end connector (E) and clamp together firmly.
8. Join all the 'neutral' wires (Blues wires) together including the connection wire (H) supplied.
9. Insert the neutral wires into the close-end connector (E) and clamp together firmly.
10. Place the large sized heat shrink tube (F) onto the close-end connector.
11. Use the cable tie (K) to hold the wires together.
12. Ensure no basic insulation is exposed and apply heat to all the heat shrink tubes.
13. Install the connection wire (H) and earth wire (J) to the terminal block (I) according to the label:

Terminal Block Label

Earth (Yellow/Green) – ⊕

Neutral – N

Live – L

Fitting Wire

Yellow/Green or ⊕

Blue

Brown

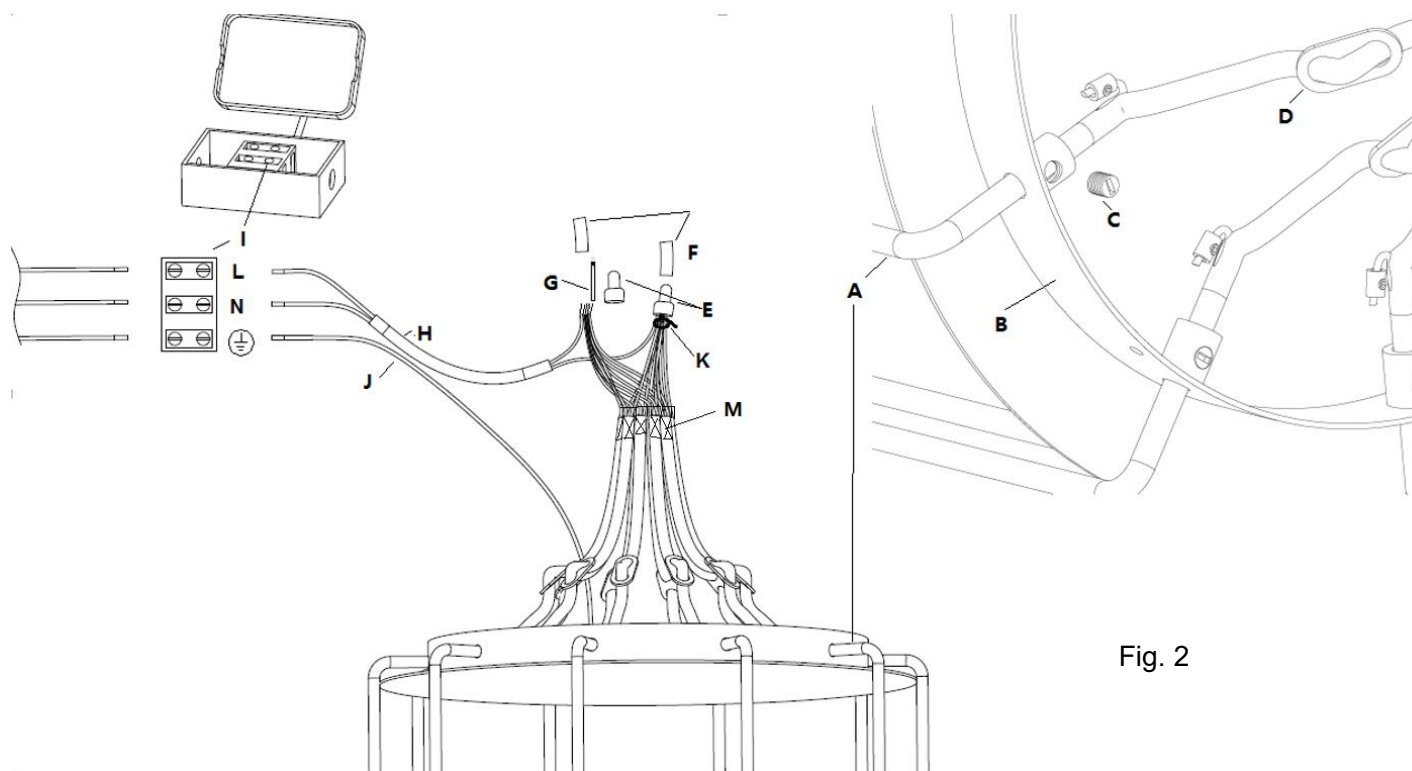


Fig. 2

Installation of the complete fitting (Figure 3)

1. Use the mounting bracket (B) as a template to mark the screw positions onto the ceiling.
2. Install the mounting bracket onto the ceiling by using appropriately sized mounting screws (C). Ensure the screws (C) and anchors (A) used are suitable for the mounting surface and the mounting surface is able to support the full weight of the fitting.
3. Hang up the complete fitting onto the J-hook (D) of the mounting bracket by using 2 cord hooks (H)
4. Remove the cover from the terminal block and connect the mains supply wire. Ensure that the wires are secure and no bare wires are exposed.

Mains Supply Wire

Earth – Yellow/Green

Neutral – Blue or Black

Live – Brown or Red

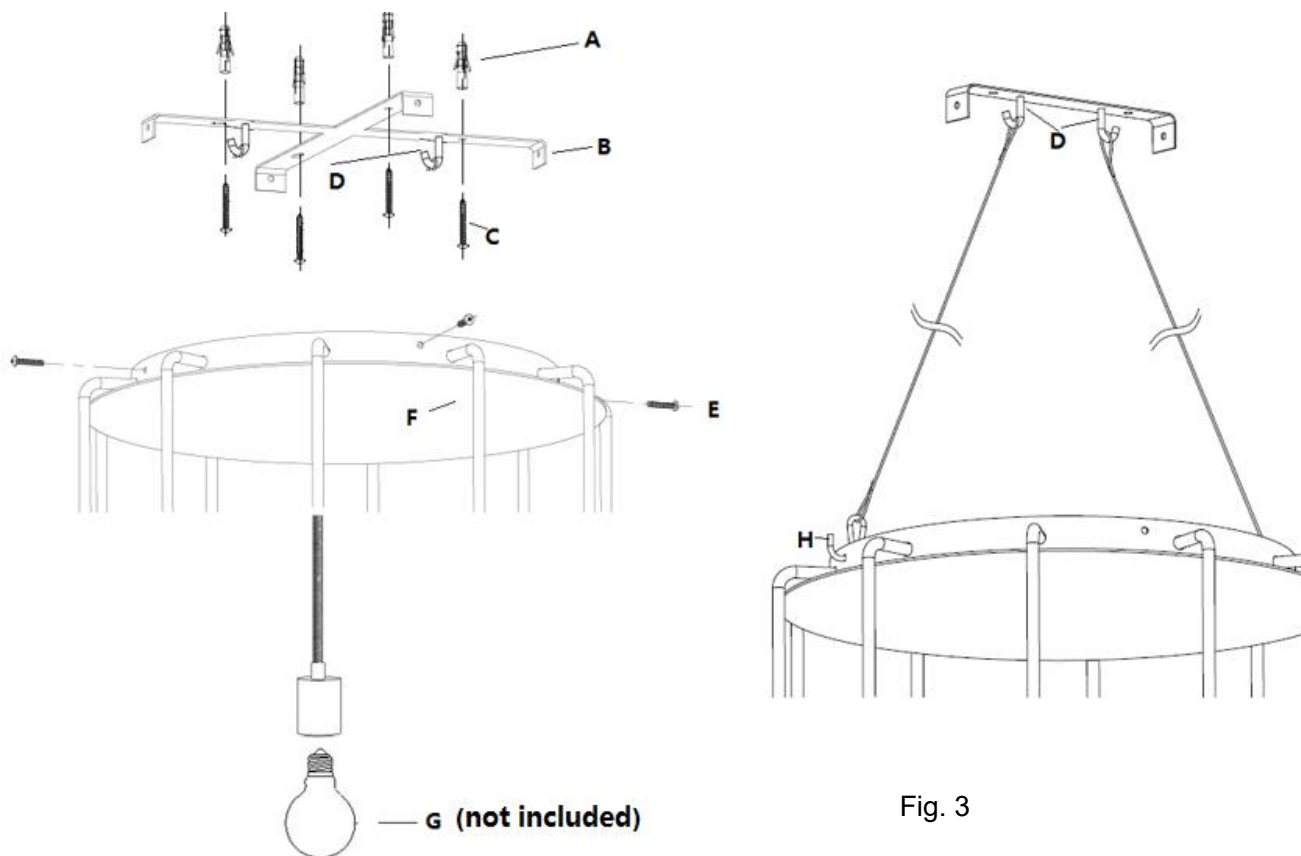
Fitting Wire

Yellow/Green ⊕

Blue

Brown

5. Place the terminal block cover firmly back over the terminal block.
6. Install the canopy (F) onto the mounting bracket (B) and secure with the screws (E) on the side.
7. Install globes (G - not included) into the lamp holder. Do not exceed the maximum wattage rating.



Safety tips

- Always ensure the power is OFF and the fitting has cooled down before performing any maintenance, cleaning, changing the globe or making any adjustment to the fitting.
- To avoid injury or damage to the fitting, ensure that power leads and screws are secure before connecting the power.
- Select a suitable location away from liquids and hazards.
- Ensure that the fitting does not come in contact with corrosive chemicals, etc.
- To clean, wipe with a damp clean cloth. Never soak the fitting with water.

Specifications

SKU #	011360	011361	011362	011363
Colour	Black	White	Black	White
Rated Voltage	220-240V~ 50Hz			
Max. Load per light point	MAX. 4kg for each light point			
Max. Load for Canopy	24kg		38kg	
Max. Lights	6 Lights		10 Lights	
Weight	0.65kg (Canopy)		1.3kg (Canopy)	
Dimensions	H:27mm Dia:220mm		H:27mm Dia:325mm	