

NEVADA 7 LIGHT PENDANT

SKU# 011852, 011853

Rated Voltage 220-240V~ 50Hz

Thank you for purchasing this quality Lucci product. To ensure correct function and safety, please read and follow all instructions carefully before assembly, installation and use of this product. Please keep instructions for future reference.

Warranty

- This luminaire is covered by a 12-month warranty. The warranty is from date of purchase, not the date of installation.
- If the luminaire is not assembled and installed by a licensed electrician, the warranty will be void.
- Please retain the proof of purchase and evidence of installation by a licensed electrician for any warranty enquiries.
- Warranty will be void if there is any damage due to improper usage or modification to the luminaire.
- Failure to comply with the instructions in this manual may increase the risk of damage or injury and will void the warranty.

Installation Requirements

- This luminaire must be assembled and installed by a licensed electrician.
- All wiring and installation of the luminaire must adhere to the latest local and national wiring rules. E.g. AS/NZS 3000 Electrical Installations.
- This luminaire is a Class I product and must be earthed during wiring and installation.
- Do not exceed the maximum wattage rating. LED globes only.
- Select a suitable location for installation:
 - This luminaire is suitable for indoor use only.
 - The mounting point must support 2 times the weight of the luminaire.
 - Ensure the luminaire is not installed in direct line of an air vent/system.
 - If installing a luminaire in an area prone to moisture, ensure that the area is well ventilated, and an appropriately rated exhaust fan is used if required. Damage or corrosion caused by moisture is not a product fault, and as such is not covered under warranty.
- Take care not to pull any electrical wires during unpacking as this may damage the connection.
- Lay out all the components on a smooth surface and make sure no components are missing before assembling. If parts are missing, return the complete product to the place of purchase for inspection or replacement.
- Check whether the luminaire has been damaged during transport. Do not operate/install any product which appears damaged in any way. Return the complete product to the place of purchase for inspection, repair or replacement.
- Ensure power to the circuit you are working on has been switched OFF before commencing any electrical work.

Installation Directions

NOTE: Due to the size of the luminaire, two people will be required to lift it up during the installation.

1. Remove all packaging material from the product and be careful not to throw away accessories that may be hidden within the packaging material. If assembly is required, place the luminaire on a smooth non-scratch surface.
2. Remove the mounting bracket (E) from the canopy (G) by loosening the screws (A) on the sides.
3. Use the mounting bracket (E) as a template to mark the screw positions on the ceiling.
4. Install the mounting bracket (E) onto the ceiling by using appropriately sized mounting screws (F) and anchors (C). Ensure the screws (F) and anchors (C) used are suitable for the mounting surface and the surrounding environment.
5. Determine the suspension length required for your installation location. Install the required lengths of suspension rod (H, I, J, L) onto the body (M) of the luminaire. Pull the cord out as you install the suspension rods (H, I, J, L) to remove any slack. Take care, not to cross-thread or twist and damage the cord (K).

6. Install the canopy (G) on to the top suspension rod and secure by tightening the nut.

NOTE: Ensure that the star washer, flat washer, earth ring, lock washer and nut are installed in the correct sequence.

NOTE: The earth cable (B) from the canopy must be connected to the terminal block (D).

7. Connect the luminaire wires and the mains supply wire to the terminal block (D).

Mains Supply Wire

- Earth – Yellow/Green
- Neutral – Blue or Black
- Live – Brown or Red

Luminaire Wire / Terminal block

- Yellow/Green or
- Blue or N
- Brown or L

8. Ensure the wires are secure, and no bare wires are exposed.

NOTE: This luminaire is a Class I product and must be earthed during wiring and installation.

9. Install the canopy (G) onto the mounting bracket (E) and secure by tightening the screws on the side (A).

10. Remove the shades (P) from the lamp holders (N) by loosening the grub screw with the allen key (O) provided.

11. Install LED lamps (Q - not included) into the lamp holders (N). Do not exceed the maximum wattage rating.

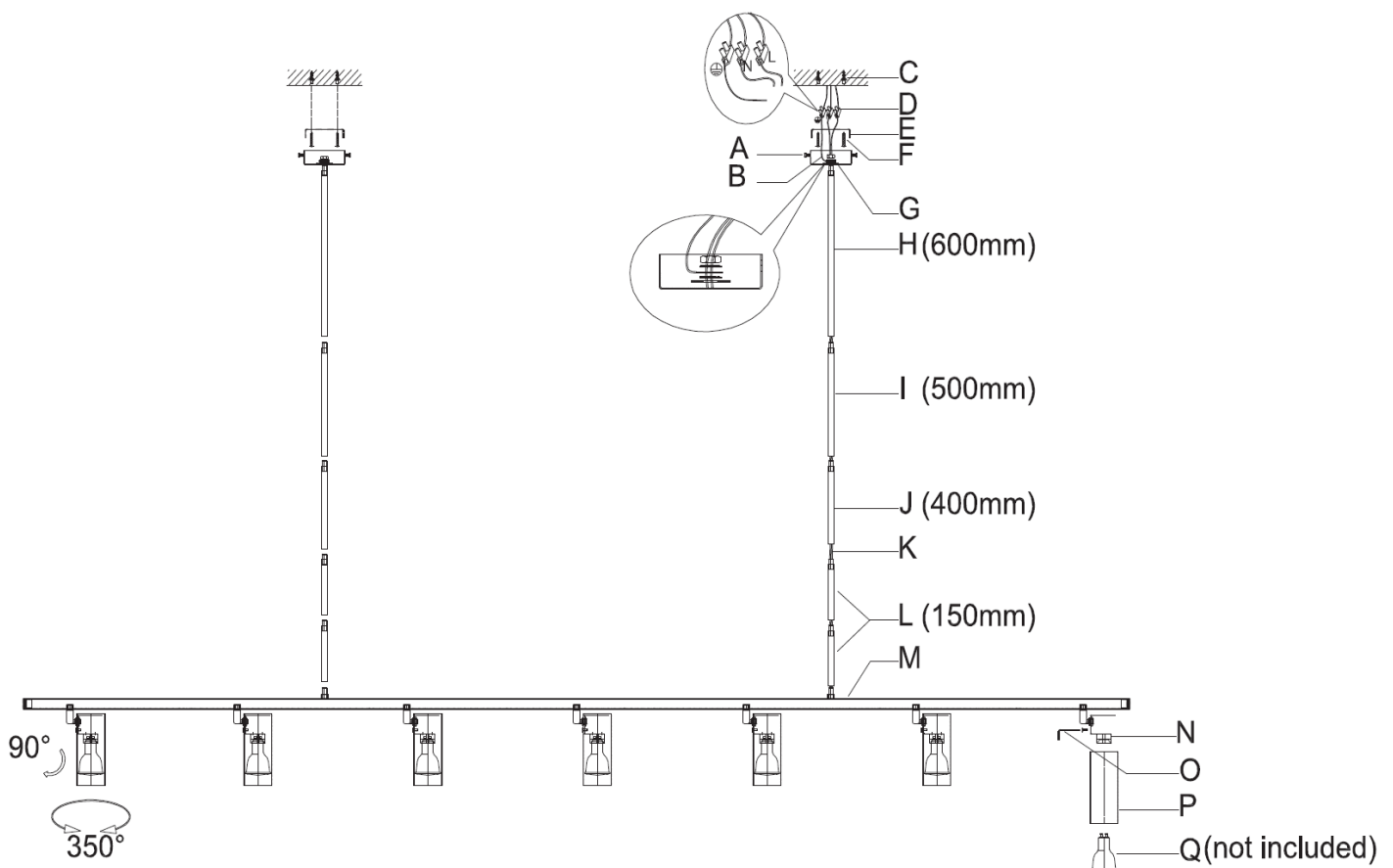
NOTE: LED lamps must be used with this luminaire.

12. Install the shades (P) back onto the lamp holders (N) and secure by tightening the grub screws.

13. Adjust the shades to your desired angle.

NOTE: Do not rotate the shades (P) more than 350° and do not bend the shades more than 90°, as this may damage the knuckle joint or the internal wiring.

14. After the installation, switch on the luminaire to test and enjoy your new lighting product.



NOTE: Do not rotate the shades (P) more than 350° and do not bend the shades more than 90°, as this may damage the knuckle joint or the internal wiring.

Safety Tips

- Always ensure the power is OFF and the luminaire has cooled down before performing any maintenance, cleaning, changing the globes or making any adjustment to the luminaire.
- To avoid injury or damage to the luminaire, ensure that power leads and screws are secure before connecting the power.
- Select a suitable location away from liquids and hazards.
- To clean, wipe with a soft damp cloth. Do NOT soak or immerse the luminaire in water or other liquids.
- Ensure that the luminaire does not come in contact with corrosive chemicals/solvents or abrasive cleaners etc.

Specifications

SKU #	011852	011853
Colours	Matte Black	Matte White
Rated Voltage	220-240V~ 50Hz	
Rated Wattage	70W Max. (7x Max. 10W – LED globes only)	
Lamp Holder	GU10	
Weight	4.2kg	
Canopy Dimensions	H:25mm Dia:80mm	
Luminaire Dimensions	H:165mm L:2240mm W:230mm Susp:1800mm Max.	