

Manor

SKU# 031047, 031048, 031049

Shade only, the main fitting is sold separately

Thank you for purchasing this quality Lucci product. To ensure correct function and safety, please read and follow all instructions carefully before using the product. Please keep the instructions for future reference.

Warranty

- This product is covered by a 12 month warranty; please retain proof of purchase.
- Warranty will be void if there is any damage due to improper usage or modification to the fitting or shade.

Installation requirements

- This installation instruction is for the shade only, if unsure please contact a licensed electrician. The main fitting (sold separately) must be installed by a licensed electrician.
- Lay out all the components on a smooth surface and make sure there are no components missing before assembling. If parts are missing, return the complete product to the place of purchase for inspection or replacement.
- Check whether the fitting has been damaged during transport. Do not operate/install any product which appears damaged in any way. Return the complete product to the place of purchase for inspection, repair or replacement.
- Take care not to pull any electrical wires during installation as this may damage the connection.
- Ensure power to the circuit you are working on has been switched OFF.

Fitting compatibility

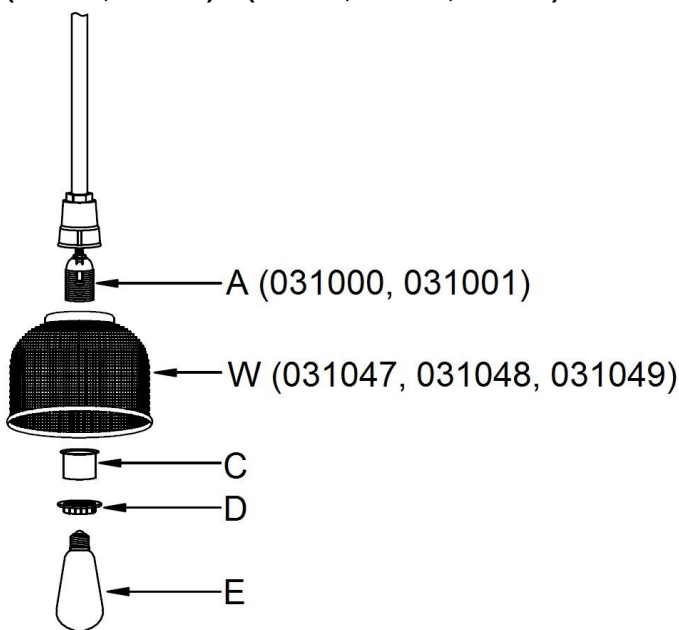
This product is compatible with the following fittings (sold separately);

SKU# 031000, 031001, 031002, 031003, 031029, 031040, 031041, 031042, 031043.

Installation directions

MANOR PENDANT ROD SET + MANOR 145mm HOLOPHANE GLASS SHADE

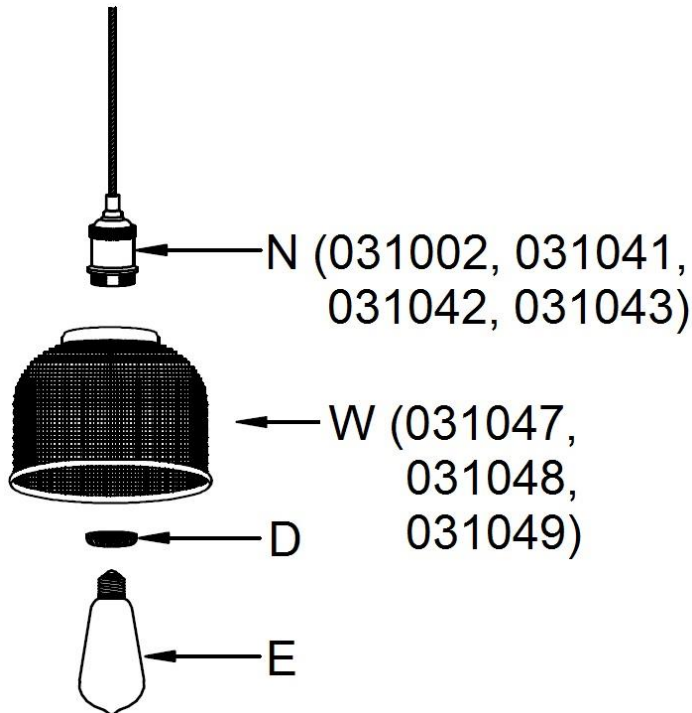
(031000, 031001) + (031047, 031048, 031049)



1. Remove all packaging material from the product.
2. Remove the lamp holder spacer (C) and lamp holder ring (D) from the fitting (A).
3. Install the shade (W) onto the lamp holder of the fitting (A), followed by the lamp holder spacer (C) and secure with the lamp holder ring (D).
4. Install a globe (E – not included) into the lamp holder. Do not exceed the maximum wattage rating.

MANOR CORD SUSPENSION SET + MANOR 145mm HOLOPHANE GLASS SHADE

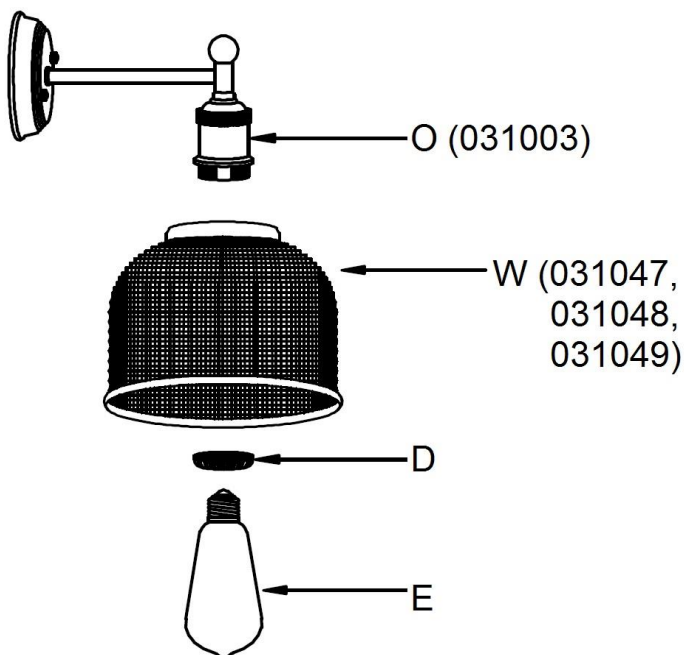
(031002, 031041, 031042, 031043) + (031047, 031048, 031049)



1. Remove all packaging material from the product.
2. Remove the lamp holder ring (D) from the fitting (N).
3. Install the shade (W) onto the lamp holder of the fitting (N) and secure with lamp holder ring (D).
4. Install a globe (E – not included) into the lamp holder. Do not exceed the maximum wattage rating.

MANOR WALL BRACKET FRAME + MANOR 145mm HOLOPHANE GLASS SHADE

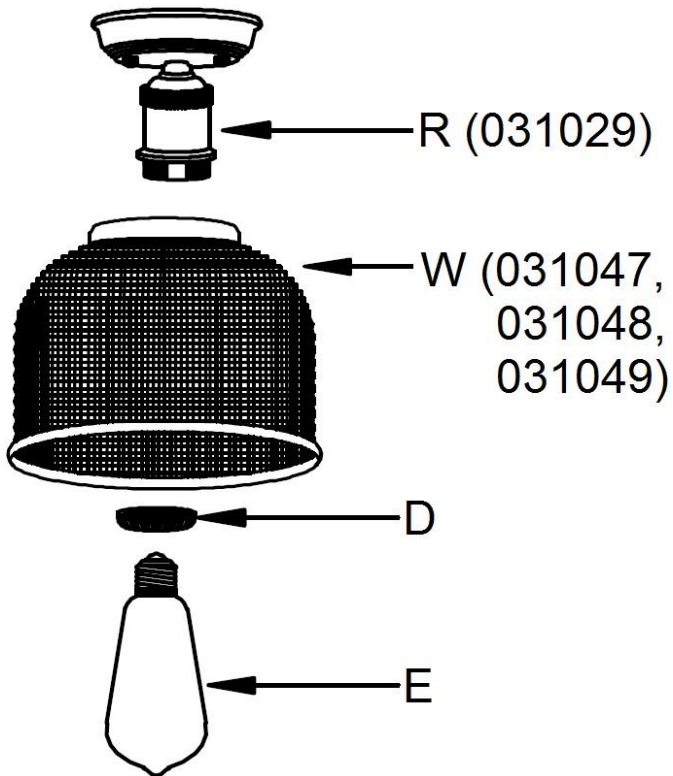
(031003) + (031047, 031048, 031049)



1. Remove all packaging material from the product.
2. Remove the lamp holder ring (D) from the fitting (O).
3. Install the shade (W) onto the lamp holder of the fitting (O) and secure with the lamp holder ring (D).
4. Install a globe (E – not included) into the lamp holder. Do not exceed the maximum wattage rating.

MANOR CLOSE TO CEILING + MANOR 145mm HOLOPHANE GLASS SHADE

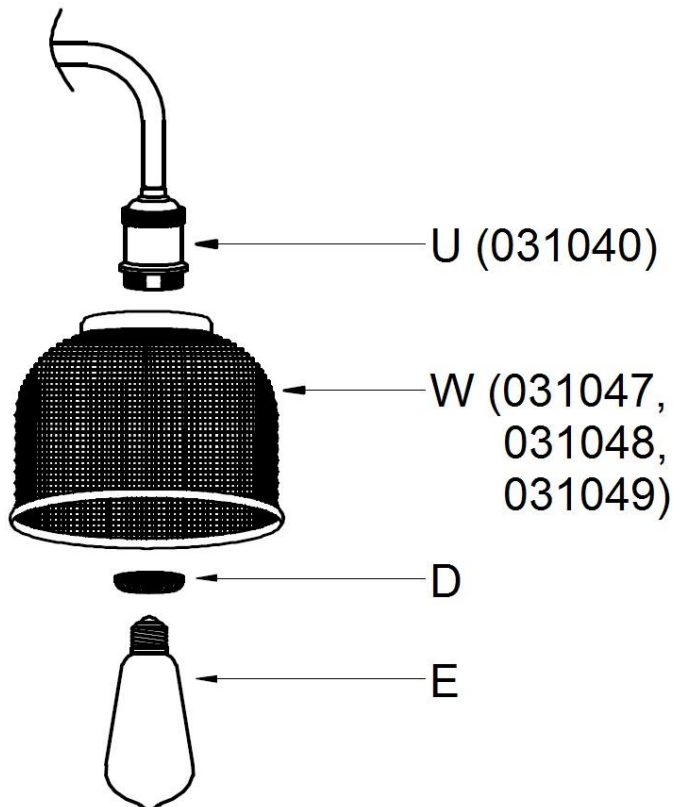
(031029) + (031047, 031048, 031049)



1. Remove all packaging material from the product.
2. Remove the lamp holder ring (D) from the fitting (R).
3. Install the shade (W) onto the lamp holder of the fitting (R) and secure with lamp holder ring (D).
4. Install a globe (E – not included) into the lamp holder. Do not exceed the maximum wattage rating.

MANOR 3 LIGHT BAR PENDANT + MANOR 145mm HOLOPHANE GLASS SHADE

(031040) + (031047, 031048, 031049)



1. Remove all packaging material from the product.
2. Remove the lamp holder ring (D) from the fitting (U).
3. Install the shade (W) onto the lamp holder of the fitting (U) and secure with lamp holder ring (D).
4. Install a globe (E – not included) into the lamp holder. Do not exceed the maximum wattage rating.

Safety tips

- Always ensure the power is OFF and the fitting has cooled down before performing any maintenance, cleaning, changing the globe or adjustment to the fitting.
- Do not touch the globe with bare hands. Use a clean cloth, gloves or a tissue.
- To avoid injury or damage to the fitting, ensure that power leads and screws are secure before connecting the power.
- Select a suitable location away from liquids and hazards.
- Ensure that the fitting does not come in contact with corrosive chemicals, etc.
- To clean, wipe with a damp clean cloth. Never soak the fitting with water.

Specifications

SKU #	031047	031048	031049
Model #	P3589-AM	P3589-OP	P3589-CL
Weight	0.7kg		
Dimensions	H:110mm Dia:145mm		