

BELLAY 5 LIGHT and 6 LIGHT PENDANT/CTC

SKU# 039115, 039116, 039117, 039118

Rated Voltage 220-240V~ 50Hz

Thank you for purchasing this quality Lucci product. To ensure correct function and safety, please read and follow all instructions carefully before assembly, installation and use of this product. Please keep instructions for future reference.

Warranty

- This fitting is covered by a 12 month warranty. The warranty is from date of purchase, not the date of installation.
- If the fitting is not assembled and installed by a licensed electrician the warranty will be void.
- Please retain proof of purchase and evidence of assembly and installation by a licensed electrician.
- Warranty will be void if there is any damage due to improper usage or modification to the fitting.
- Failure to comply with the instructions in this manual may increase the risk of damage or injury and will void warranty.

Installation Requirements

- This fitting must be assembled and installed by a licensed electrician.
- All wiring and installation of the fitting must adhere to local and national wiring rules.
eg. AS/NZS 3000:2007/Amendment 2:2012 Electrical installations.
- This fitting is Class I and must be earthed.
- Do not exceed the maximum wattage rating.
- Select a suitable location for installation:
 - This fitting is suitable for indoor use only.
 - The mounting point must support 2 times the weight of the fitting. If you are unsure about the nature of your ceiling, consult a qualified installation contractor.
 - Ensure the fitting is not installed in direct line of an air vent/system.
 - When installing a fitting in an area prone to moisture, ensure that the area is well ventilated and an appropriately rated exhaust fan is used if required. Damage or corrosion caused by moisture is not a product fault, and as such is not covered under warranty.
- Take care not to pull any electrical wires during unpacking as this may damage the connection.
- Lay out all the components on a smooth surface and make sure there are no components missing before assembling. If parts are missing, return the complete product to the place of purchase for inspection or replacement.
- Check whether the fitting has been damaged during transport. Do not operate/install any product which appears damaged in any way. Return the complete product to the place of purchase for inspection, repair or replacement.
- Ensure power to the circuit you are working on has been switched OFF before commencing any electrical work.

Installation Directions

1. Select the type of installation you require before assembly and installation:
This light fitting can be installed as a Pendant or Close to Ceiling.
Refer to the corresponding instructions and diagram for the different installation methods.
NOTE: Assembly and installation of this fitting must be done by a licensed electrician.
NOTE: Due to the size/weight of the fitting, two people may be required to lift up the fitting during installation.
2. Remove all packaging material from the product and be careful not to throw away accessories that may be hidden within the packaging material. To help with assembly, lay the fitting on its side on a smooth non scratch surface.
3. Spread the fitting arms (W) out, so they are evenly spaced and match the upper base (J) and lower base (Y).
4. Tighten the nuts on each arm so there is full earth continuity and so the arms are locked in position.
5. Install the upper base (J) onto the threaded rod (I) and secure using the washer (K) and decorative nut (L).
6. Install the lower base (Y) onto the threaded rod (X) and secure using the washer (Z) and decorative nut (AA).
7. Assemble the mounting bracket (B) by installing the nut (N) and the threaded screws (C).
8. Use the mounting bracket (B) as a template to mark the screw positions on the ceiling.
9. Install the mounting bracket (B) onto the ceiling by using appropriately sized mounting screws (M) and anchors (A).
Ensure the screws (M) and anchors (A) used are suitable for the mounting surface and surrounding environment.

FOR PENDANT INSTALLATION (Refer to the steps given on page 1 followed by the steps below)

10. Determine the suspension length required for your installation location.

The chain (S) suspension length can be adjusted by using the chain link connectors (G).

After adjusting the chain (S) suspension length, check and ensure the chain (S) is longer than the cord (R).

NOTE: The full load/weight of the pendant must always be on the chain (S) suspension not the cord (R).

11. Remove the cover from the terminal block (D) and connect the mains supply wire.

Mains Supply Wire

Earth – Yellow/Green

Neutral – Blue or Black

Live – Brown or Red

Fitting Wire

Yellow/Green or

Blue or N

Brown or L

12. Ensure the wires are secure and no bare wires are exposed. Install the cover back over the terminal block (D).

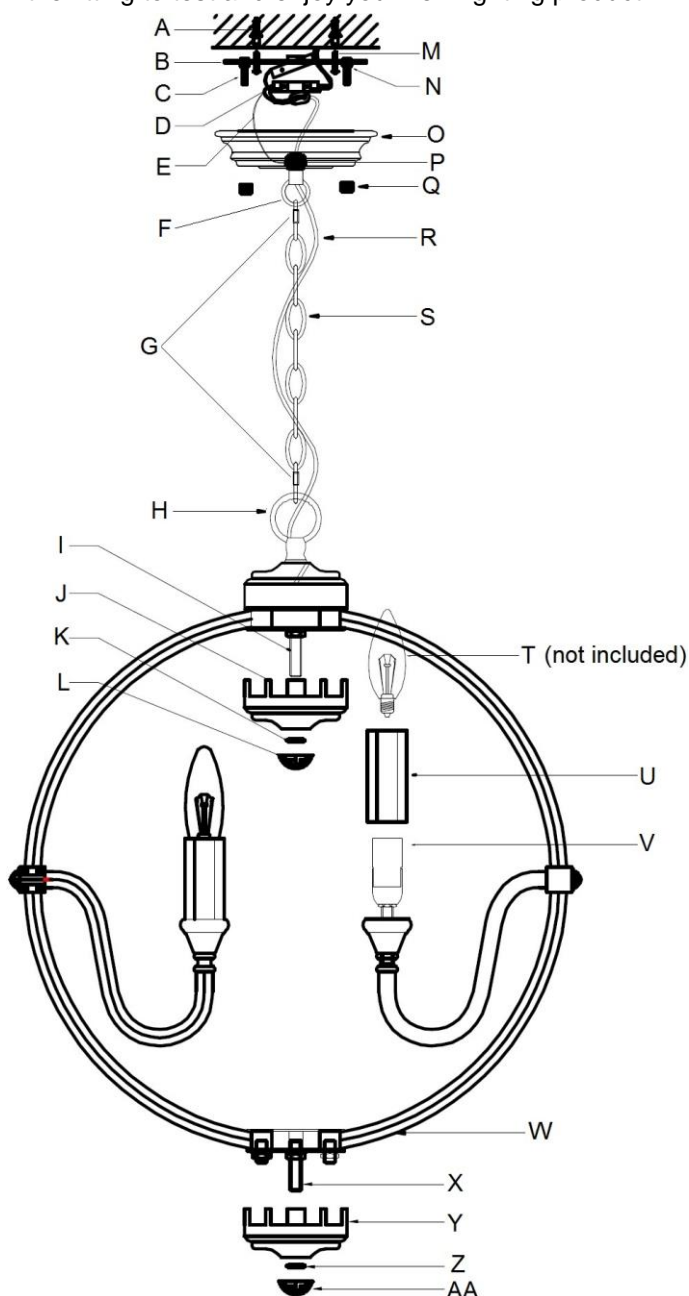
13. Install the canopy (O) onto the mounting bracket (B) and secure by tightening the decorative nuts (Q).

14. Check to ensure the chain (S) is not damaging the cord (R) and check the load/weight of the fitting is on the chain (R).

15. Install the lamp holder decorative covers (U) onto the lamp holders (V).

16. Install globes (T - not included) into the lamp holders. Do not exceed the maximum wattage rating.

17. After the installation, switch on the fitting to test and enjoy your new lighting product.



FOR CLOSE TO CEILING INSTALLATION (Refer to the steps given on page 1 followed by the steps below)

For close to ceiling installation, some of the components need to be removed from the fitting and re-assembled again.

REFER TO PREVIOUS DIAGRAM FOR COMPONENTS

10. Remove the cord (R) from the terminal block (D) and fully unravel from the chain (S).
11. Remove the chain ring (F) from the canopy and remove the chain ring (H) from top of the fitting.
12. Remove the nut (P), washer (P), earth wire (E) and star washer (P) from the canopy (O).

NOTE: Keep these components aside, they will be required to re-assemble later.


REFER TO DIAGRAM BELOW FOR COMPONENTS

13. Insert the cord (R) from the top of the fitting through the canopy (O).
14. Install the canopy (O) onto the top of the fitting by inserting it onto the threaded rod and secure them together by installing the star washer (P), earth wire (E), washer (P) and nut (P).
15. Remove the cover from the terminal block (D) and connect the mains supply wire.

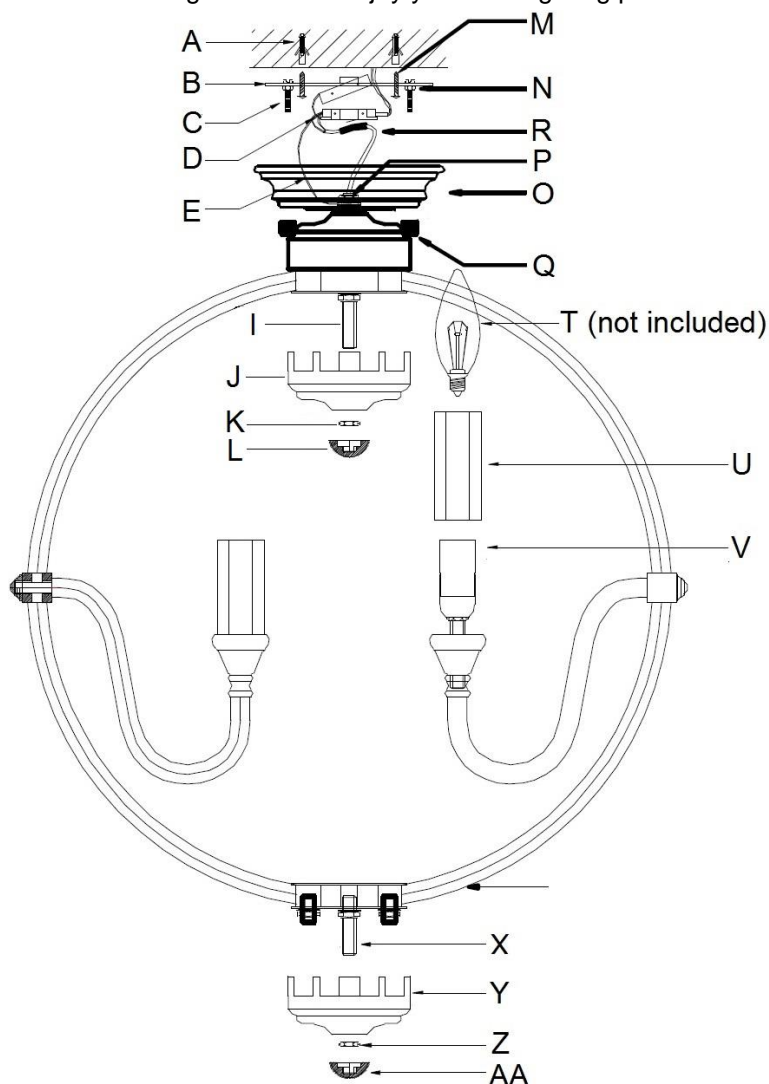
Mains Supply Wire

Earth – Yellow/Green
 Neutral – Blue or Black
 Live – Brown or Red

Fitting Wire

Yellow/Green or 
 Blue or N
 Brown or L

16. Ensure the wires are secure and no bare wires are exposed. Install the cover back over the terminal block (D).
17. Install the fitting onto the mounting bracket (B) and secure by tightening the decorative nuts (Q).
18. Install the lamp holder decorative covers (U) onto the lamp holders (V).
19. Install globes (T - not included) into the lamp holders. Do not exceed the maximum wattage rating.
20. After the installation, switch on the fitting to test and enjoy your new lighting product..



Safety Tips

- Always ensure the power is OFF and the fitting has cooled down before performing any maintenance, cleaning, changing the globe or making any adjustment to the fitting.
- To avoid injury or damage to the fitting, ensure that power leads and screws are secure before connecting the power.
- Select a suitable location away from liquids and hazards.
- Ensure that the fitting does not come in contact with corrosive chemicals, etc.
- To clean, wipe with a damp clean cloth. Never soak the fitting with water.

Specifications

SKU #	039115	039116	039117	039118
Colours	Antique Nickel	Antique Black	Antique Nickel	Antique Black
Rated Voltage	220-240V~ 50Hz			
Rated Wattage	225W Max. (5 x Max. 45W)		270W Max. (6 x Max. 45W)	
Lamp Holder	SES / E14			
Weight	3.7kg		4.6kg	
Dimensions	H:590mm Dia:500mm Susp:2000mm MAX		H:715mm Dia:620mm Susp:2000mm MAX	