

WALDORF LARGE CHANDELIER/CTC

SKU# 050337

Rated Voltage 220-240V~ 50Hz

Thank you for purchasing this quality Lucci product. To ensure correct function and safety, please read and follow all instructions carefully before assembly, installation and use of this product. Please keep instructions for future reference.

Warranty

- This fitting is covered by a 12 month warranty. The warranty is from date of purchase, not the date of installation.
- If the fitting is not assembled and installed by a licensed electrician the warranty will be void.
- Please retain proof of purchase and evidence of assembly and installation by a licensed electrician.
- Warranty will be void if there is any damage due to improper usage or modification to the fitting.
- Failure to comply with the instructions in this manual may increase the risk of damage or injury and will void warranty.

Installation Requirements

- This fitting must be assembled and installed by a licensed electrician.
- All wiring and installation of the fitting must adhere to local and national wiring rules.
eg. AS/NZS 3000:2007/Amendment 2:2012 Electrical installations.
- Do not exceed the maximum wattage rating.
- Select a suitable location for installation:
 - This fitting is suitable for indoor use only.
 - The mounting point must support 2 times the weight of the fitting.
 - Ensure the fitting is not installed in direct line of an air vent/system.
 - If installing a fitting in an area prone to moisture, ensure that the area is well ventilated and an appropriately rated exhaust fan is used if required. Damage or corrosion caused by moisture is not a product fault, and as such is not covered under warranty.
- Take care not to pull any electrical wires during unpacking as this may damage the connection.
- Lay out all the components on a smooth surface and make sure there are no components missing before assembling. If parts are missing, return the complete product to the place of purchase for inspection or replacement.
- Check whether the fitting has been damaged during transport. Do not operate/install any product which appears damaged in any way. Return the complete product to the place of purchase for inspection, repair or replacement.
- Ensure power to the circuit you are working on has been switched OFF before commencing any electrical work.

Installation Directions

NOTE: Due to the size and weight of the fitting, two people may be required to lift up the fitting during installation.

1. Select the type of installation you require before assembly and installation:
This light fitting can be installed as a Chandelier or Close to Ceiling.
Refer to the corresponding instructions and diagram for the different installation methods.
NOTE: Assembly and installation of this fitting must be done by a licensed electrician.
2. Remove all packaging material from the product and be careful not to throw away accessories that may be hidden within the packaging material. If assembly is required, place the fitting on a smooth non-scratch surface.

CHANDELIER INSTALLATION DIRECTIONS

(Refer to the diagram on page 3 for components)

1. Use the mounting bracket (E) as a template to mark the mounting hole positions on the ceiling.
2. Insert and loop the safety loading wire (F) into one of the holes on the mounting bracket (E).
3. Depending on the mounting surface and the surrounding environment, install the mounting bracket (E) onto the ceiling by using mounting screws or expansion bolts (A). Ensure the mounting screws or expansion bolts (A) used are suitable for the mounting surface and the surrounding environment. If using expansion bolts (A) ensure to install the washer (B), spring washer (C) and secure with the nut (D).
4. Determine the suspension length required for your installation location. The chain (Q) suspension length can be adjusted by using the chain link connectors (O).
5. Remove the cover from the terminal block (H) and connect the mains supply wire.

Mains Supply Wire

Earth – Yellow/Green

Neutral – Blue or Black

Live – Brown or Red

Fitting Wire

Yellow/Green or 

Blue or N

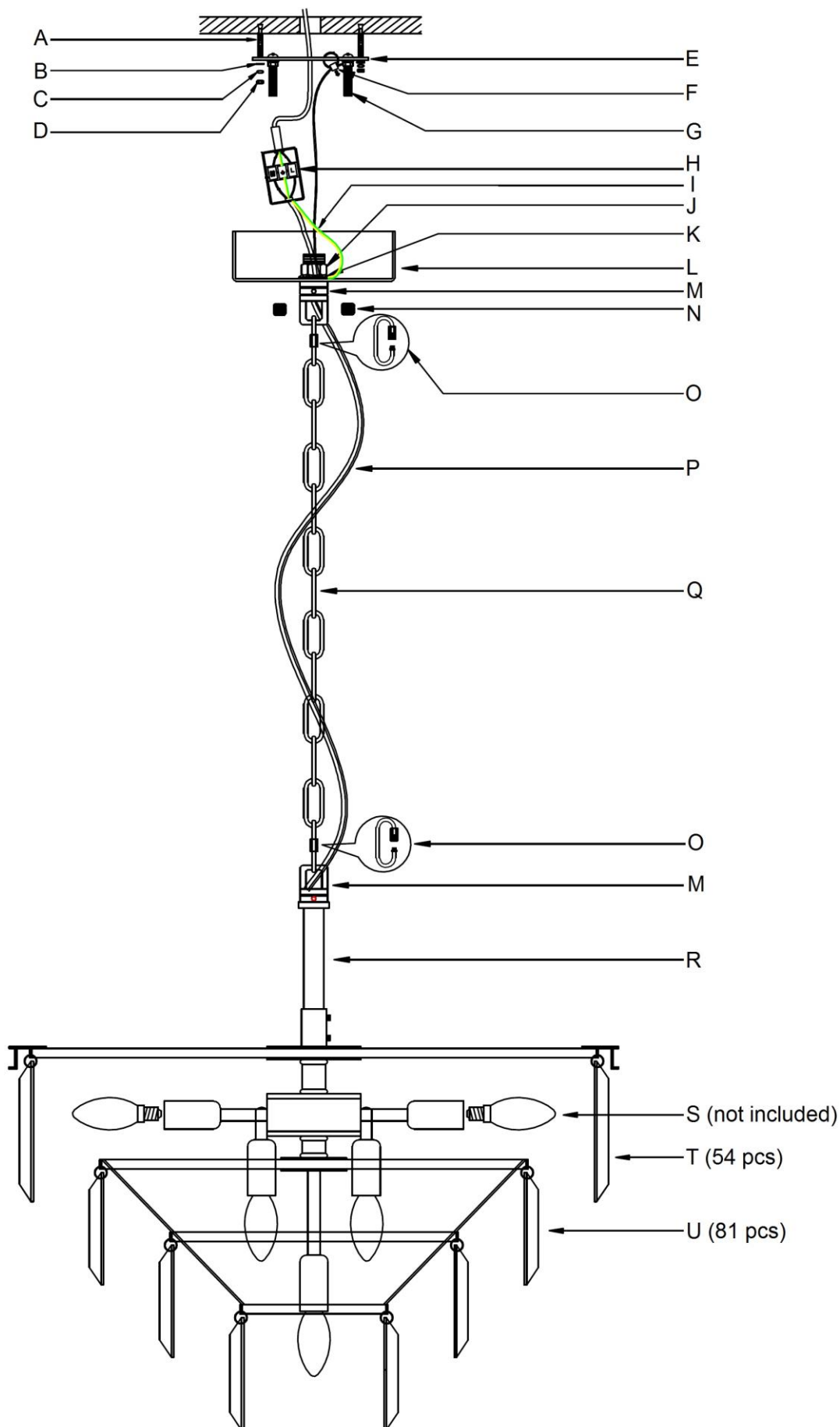
Brown or L

6. Ensure the wires are secure and no bare wires are exposed. Install the cover back over the terminal block (H).
7. Install the canopy (L) onto the mounting bracket (E) by securing the nuts (N) onto the mounting bracket screws (G).

NOTE: Check and ensure the load/weight of the fitting is NOT on the supply cord (P) or the safety loading wire (F).

The load/weight of the fitting must ALWAYS be on the chain (Q) suspension.

8. Install globes (S - not included) into the lamp holders. Do not exceed the maximum wattage rating.
9. Install the larger size glass (T – 54 pieces) onto the fitting first, followed by the smaller size glass (U – 81 pieces).
10. After the installation, switch on the fitting to test and enjoy your new lighting product.



CLOSE TO CEILING INSTALLATION DIRECTOINS

(Refer to the diagram on page 3 & page 5 for components)

For Close To Ceiling installation, some of the components need to be removed from the fitting before installation.

REFER TO DIAGRAM ON PAGE 3 FOR COMPONENTS

1. Loosen the supply cord (P) from the terminal block (H) and keep aside for installation later.
2. Loosen the nut (J), earth cable (I) and star washer (K) from the canopy (L) and keep aside for installation later.
3. Use the allen key supplied and loosen the nut to remove the hanger (M) from the canopy (L) and also remove the hanger (M) from the rod (R). The chain (Q) and chain link connectors (O) can also be removed.

The components removed in this step will not be required for CTC installation later.

REFER TO DIAGRAM ON PAGE 5 FOR COMPONENTS

4. Use the mounting bracket (E) as a template to mark the mounting hole positions on the ceiling.
5. Insert and loop the safety loading wire (F) into one of the holes on the mounting bracket (E).
6. Depending on the mounting surface and the surrounding environment, install the mounting bracket (E) onto the ceiling by using mounting screws or expansion bolts (A). Ensure the mounting screws or expansion bolts (A) used are suitable for the mounting surface and the surrounding environment. If using expansion bolts (A) ensure to install the washer (B), spring washer (C) and secure with the nut (D).
7. Install the canopy (L) onto the rod (R), followed by the star washer (K), earth cable (I) and secure with the nut (J).
8. Remove the cover from the terminal block (H) and connect the mains supply wire and the fitting wires together.

Mains Supply Wire

Earth – Yellow/Green

Neutral – Blue or Black

Live – Brown or Red

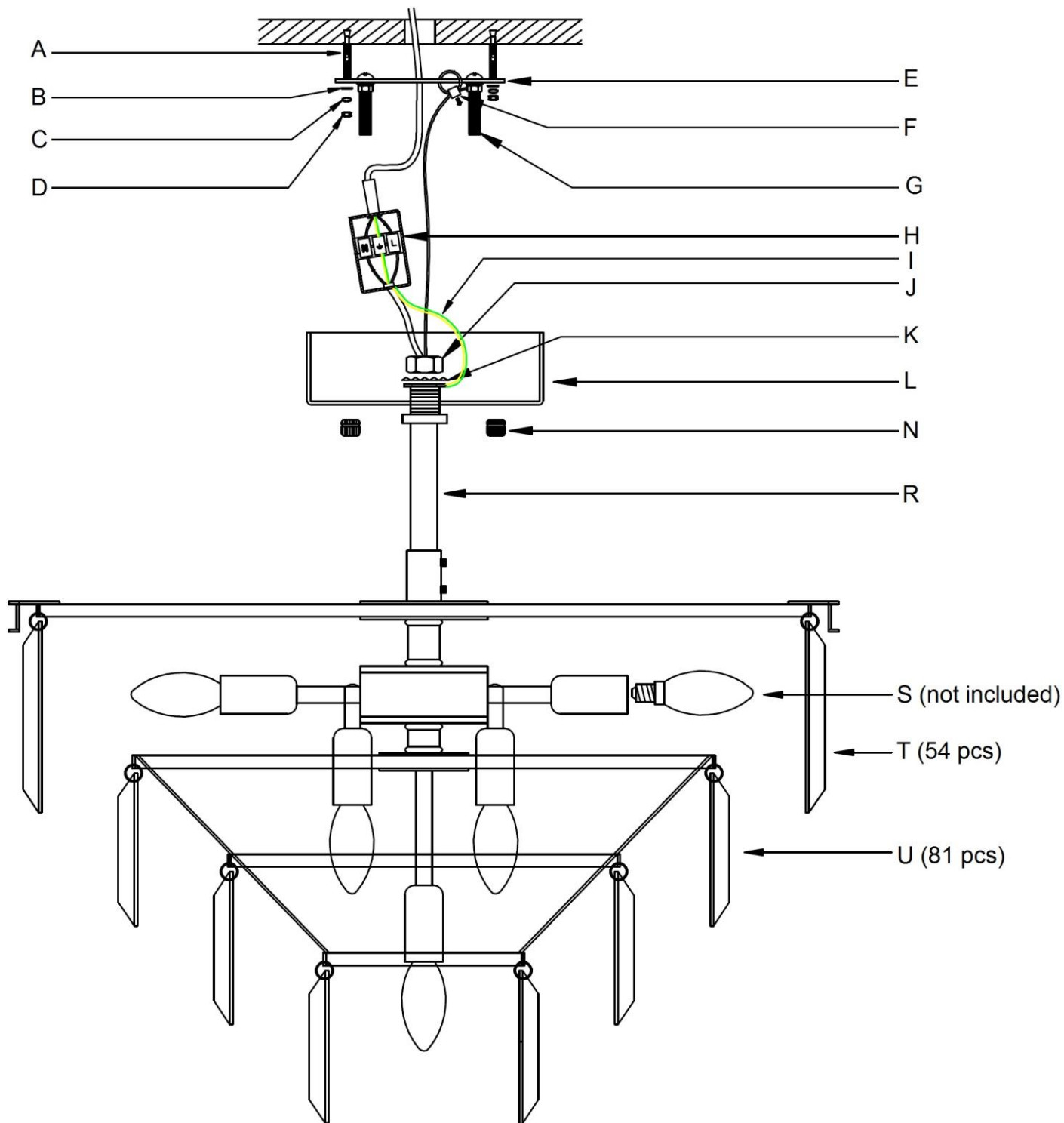
Fitting Wire

Yellow/Green or 

Blue or N

Brown or L

9. Ensure the wires are secure and no bare wires are exposed. Install the cover back over the terminal block (H).
10. Install the canopy (L) onto the mounting bracket (E) by securing the nuts (N) onto the mounting bracket screws (G).
11. Install globes (S - not included) into the lamp holders. Do not exceed the maximum wattage rating.
12. Install the larger size glass (T – 54 pieces) onto the fitting first, followed by the smaller size glass (U – 81 pieces).
13. After the installation, switch on the fitting to test and enjoy your new lighting product.



Safety Tips

- Always ensure the power is OFF and the fitting has cooled down before performing any maintenance, cleaning, changing the globe or making any adjustment to the fitting.
- To avoid injury or damage to the fitting, ensure that power leads and screws are secure before connecting the power.
- Select a suitable location away from liquids and hazards.
- Ensure that the fitting does not come in contact with corrosive chemicals, etc.
- To clean, wipe with a damp clean cloth. Never soak the fitting with water.

Specifications

SKU #	050337
Rated Voltage	220-240V~ 50Hz
Rated Wattage	450W Max. (10 x Max. 45W)
Lamp Holder	SES / E14
Weight	13.6kg
Dimensions	H:455mm Dia:650mm Susp:2000mm