



LUCCI AIR UNO EXHAUST FAN

- **INSTALLATION**
- **OPERATION**
- **MAINTENANCE**
- **WARRANTY INFORMATION**

CAUTION

**READ INSTRUCTIONS CAREFULLY FOR SAFE
INSTALLATION AND FAN OPERATION.**

THANK YOU FOR PURCHASING

Thank you for purchasing this quality Lucci product. To ensure correct function and safety, please read and follow all instructions carefully before assembly, installation and use of this exhaust fan. Please keep instructions for future reference.

WARRANTY

- This exhaust fan is covered by a 2-year warranty. The warranty is from date of purchase, not the date of installation.
- Please retain the proof of purchase for any warranty enquires.
- Warranty will be void if there is any damage due to improper usage or modification to the exhaust fan.
- Failure to comply with the instructions in this manual may increase the risk of damage or injury and will void the warranty.

SAFETY PRECAUTIONS

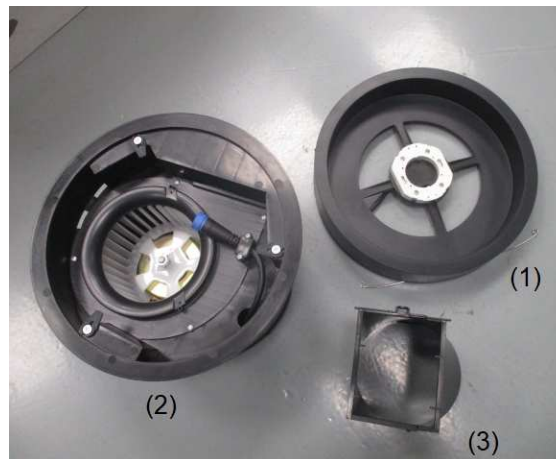
- Always ensure the power is OFF and the exhaust fan has cooled down before performing installation, any maintenance, cleaning or making any adjustment to the exhaust fan.
- This appliance is not intended for use by persons (including children) with reduced physical, sensory or mental capabilities, or lack of experience and knowledge unless they have been given supervision or instruction concerning the use of the appliance by a person responsible for their safety.
- Children should be supervised to ensure that they do not play with the appliance.
- **WARNING:** If unusual oscillating movement is observed, immediately stop using the product and contact the manufacturer, its service agent or suitably qualified persons.
- Do not allow any foreign object to enter the grille opening as which may damage the product.

INSTALLATION REQUIREMENT

- The appliance **MUST BE** installed by a licensed electrician.
- All wiring and installation of the exhaust fan must adhere to the local council regulation and latest local and national wiring rules, eg. AS/NZS 3000 electrical installations. If unsure, contact a licensed electrician.
- Means of all-pole disconnection must be incorporated in the fixed wiring.
- This is a Class I product and must be earthed.
- This product is suitable for indoor use only.
- This product must be installed at least 2.1 m above the floor level.
- Before cutting a hole in the ceiling, check that there are no ceiling joists, etc. or electrical wiring above the desired mounting location.
- The mounting point must be able to support at least 2 times the weight of the exhaust fan.
- Ensure all the clearance values to the structural building element are maintained according to the clearance diagram in Figure 2.
- Do not install the exhaust fan in canopies over stoves, etc., as excessive heat will damage the product.
- This product is designed for installation in the flat ceiling only. Do not mount it on a sloping ceiling or a vertical wall.
- Any duct (not included) attached to the product must be installed horizontally in the ceiling and with the same height or lower than the exhaust fan.
- Ensure the duct (not included) is not bent; otherwise, the performance will be reduced.
- Where applicable, precautions must be taken to avoid the back-flow of gases into the room from the open flue of gas or other fuel-burning appliances.
- Do not allow any thermal insulation to cover any part of the rear of the appliance.
- Ensure the thermal insulation does not obstruct the airflow.
- There must be an adequate source of external air to ensure the rated performance.
- For exhaust fan optimum performance, the volume of air being extracted should be equal to the amount of air entering the room. Air is drawn mostly from under a door, or an open window. If the bathroom or room is airtight (door and windows shut), the exhaust will not perform well.

PARTS LIST

- Unpack your fan carefully. Remove all parts and hardware.
- Lay out all the components on a smooth surface and make sure no components are missing before assembling. If parts are missing, return the complete product to the place of purchase for inspection or replacement.
- Check whether the exhaust fan has been damaged during transport. Do not operate/install any product which appears damaged in any way. Return the complete product to the place of purchase for inspection, repair or replacement.
- Examine all parts, which should include the following:



- 1 Light kit x 1
- 2 Fan motor assembly x 1
- 3 Outlet nozzle x 1

Fig. 1

CLEARANCE REQUIREMENT

Before installation, please plan and check the ceiling space to make sure that there are no obstructions such as ceiling joists and there is sufficient height clearance for the motor housing. Refer to figure 2 for the clearance requirement.

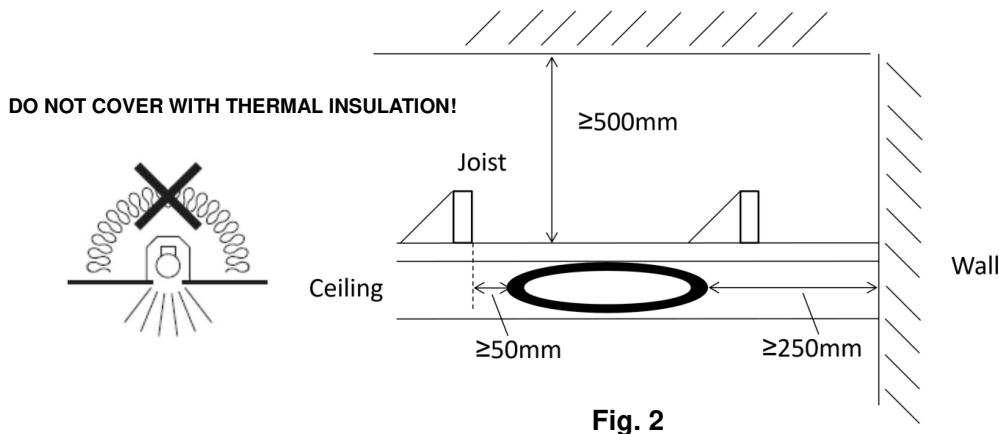


Fig. 2

INSTALLATION DIRECTION

NOTE: Switch off the main power before commencing the below installation. Please check if the installation location has access to the wall switches. Refer to the circuit diagram (Fig.4) for more details for connection of the wirings.

1. Cut an installation hole into the ceiling according to cut-out size specified in the specification section. (Fig.3.1)
2. Open the cover of the terminals compartment by removing the four screws. (Fig.3.2)
3. Slide and push the outlet nozzle in position. (Fig.3.3)

NOTE: Check and ensure the nozzle is secured and clicked on the fixing point. (Fig.3.3A)

4. Connect the wiring onto the terminals according to the wiring diagram (Fig.3.4 & Fig.4)

NOTE: Ensure the supply cable is placed in the provided cord anchorage and secured by tightening the screws on the cord anchorage. (Fig.3.4A)

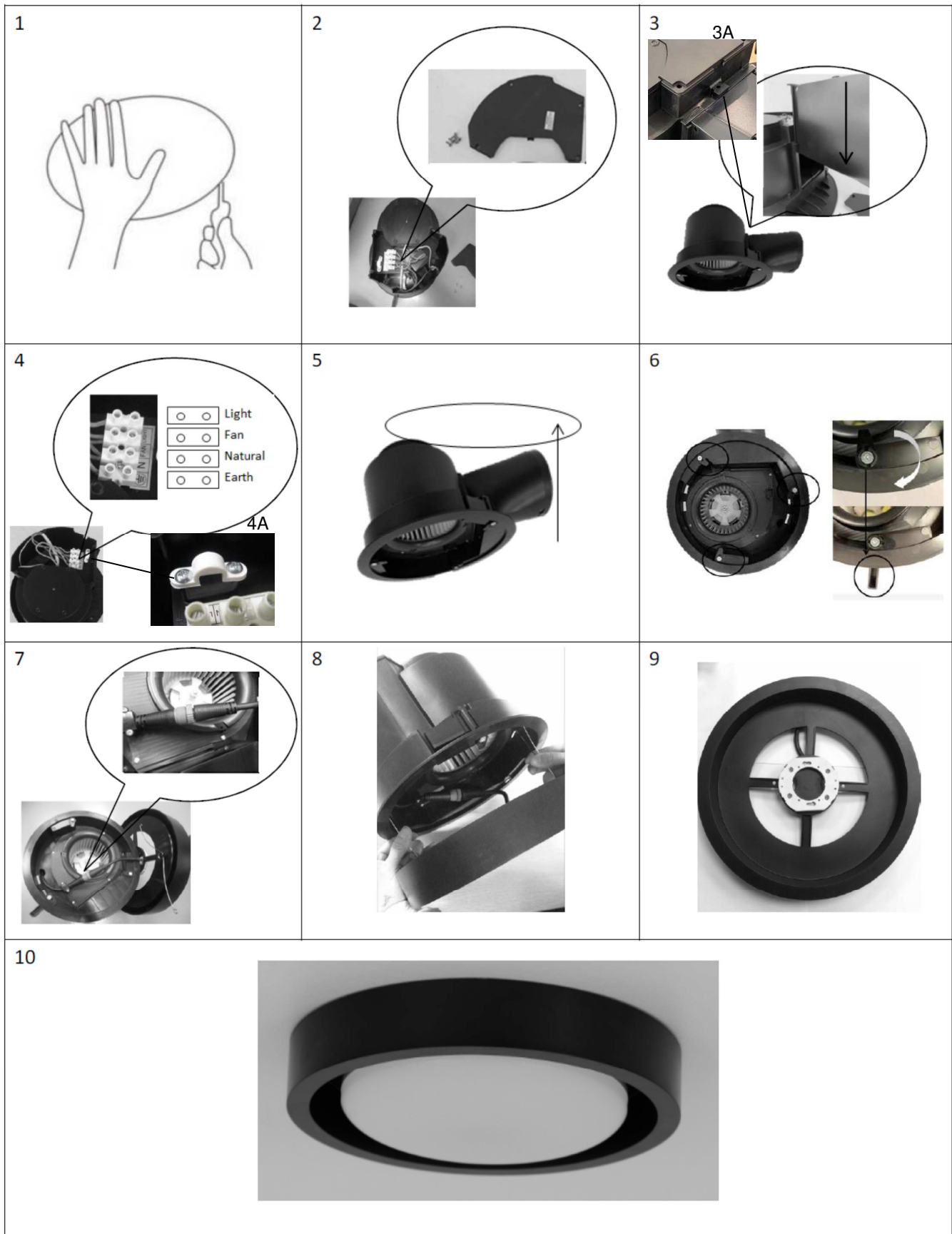
5. Attach the outlet duct (not included) to the outlet and install the exhaust fan into the cut-out hole. (Fig.3.5)
6. Push the three mounting clips outwards then tighten the screws until the mounting clips are clamped to the ceiling tightly. (Fig.3.6)
7. Connect the male quick-connector of the light kit onto the female quick-connector of the exhaust fan body. (Fig.3.7)
8. Install the light kit onto the exhaust fan body. (Fig.3.8)
9. Install the GX53 lamp (Not included) onto the lamp holder. (Fig.3.9)

NOTE: Do NOT install the lamp exceeding the allowed maximum power.

NOTE: The lamp MUST BE installed before turning on the exhaust fan.

NOTE: It is recommended to install the Lucci GX53 lamp (Lucci sku# 121357, 121358 sold separately) to the light kit to achieve the best appearance and performance.

10. Switch on the power to test the exhaust fan & its light kit. (Fig.3.10)



CIRCUIT DIAGRAM

NOTE: THE APPLIANCE & THE WALL SWITCHES MUST BE INSTALLED BY A LICENSED ELECTRICIAN.

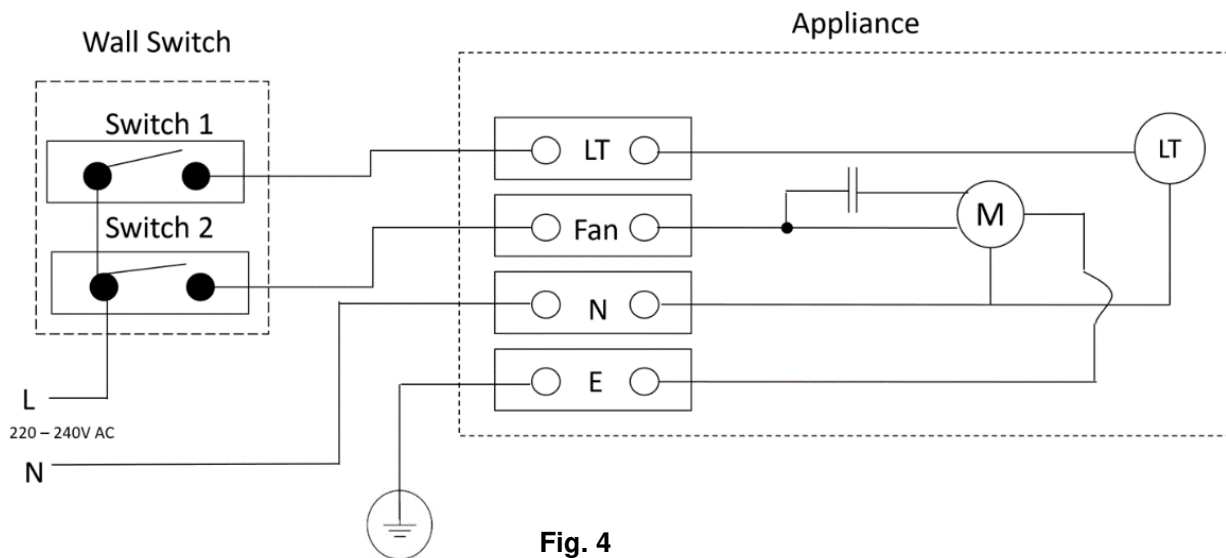


Fig. 4

CARE & CLEANING

NOTE: Always turn OFF the power at the mains switch before performing any maintenance or attempting to clean your fan.

- Clean the fascia and blades regularly. To clean, wipe with a damp clean cloth with NO organic solvents or cleaners.
- Do not soak or immerse your fan in the water or other liquids. It could damage the product and create the possibility of an electrical shock.

Specifications		
SKU #	209055	209056
Colour	Black	White
Insulation class	Class I	
IP rating	IP20	
Rated voltage	220-240V~, 50Hz	
Rated wattage	Max.63W (45W Motor + Max.18W Light)	
Compatible Lamp	GX53 lamp, Max.23W	
Max. Airflow	250 M ³ /H	
Overall dimensions	H: 175mm W: 275mm L: 195mm Fascia: Φ 275mm	
Cut-out size	Φ 240mm	
Exhaust outlet	Φ125mm	
Weight	1.88kg	

LUCCI FAN WARRANTY DETAIL

LUCCI WARRANTY HOTLINE- 1800 602 243

THIS WARRANTY IS VALID IN AUSTRALIA ONLY

In the event of service being required, please call the Lucci Fan Warranty Hotline on 1800 602 243 between 9am & 5pm (EST) Monday to Friday. Please make sure you have all the fan details filled out at the end of the manual before making the call.

Every Lucci fan is thoroughly inspected and tested before being released for sale. In addition to any warranty rights or conditions under statutory regulations, Lucci warrants all of its fans against defective workmanship and faulty materials for twenty four (24) months from the date of purchase. Lucci undertakes, at its option, to repair or replace, free of charge, each product or part thereof on condition that;

1. The fan or relevant part has not been subjected to misuse, neglect, or been involved in an accident.
2. The repairs are not required as a result of normal wear and tear.
3. The product was installed by a licensed electrical contractor.
4. A copy of the original receipt of purchase is presented.
5. 12 month warranty applies when used in any non-domestic applications.
6. This warranty does not cover stains, scratch and scuff marks, or dents if the product is purchased through a factory outlet or to refurbished items.

Our goods come with guarantees that cannot be excluded under the Australian Consumer Law. You are entitled to a replacement or refund for a major failure and compensation for any other reasonably foreseeable loss or damage. You are also entitled to have the goods repaired or replaced if the goods fail to be of acceptable quality and the failure does not amount to a major failure.

Lucci Design cannot be held responsible for any repair other than those carried out by it or one of its Authorised Service Agents. Please keep this warranty information in a safe place. This information must be produced in the event of service being required.

Distributed by:

Beacon Lighting
140 Fulton Drive
Derrimut, Victoria, 3026
Australia
Ph +613 9368 1000
Fax +613 9360 9332
Email: warranty@beaconlighting.com.au

LUCCI FAN WARRANTY INFORMATION

LUCCI WARRANTY HOTLINE- 1800 602 243

Complete and retain this form for your personal records and warranty purposes.

NAME.....

ADDRESS.....

.....POSTCODE.....

MODEL NUMBER.....

PO NUMBER or DATECODE (PO# + DATECODE Sticker here)

DATE OF PURCHASE.....

INSTALLING LICENSED ELECTRICIAN.....

.....

LICENCE No.....

ATTACH PROOF OF PURCHASE HERE

THIS COMPLETED DETAIL PAGE SHOULD BE PRODUCED AND FAXED TO THE WHOLESALE OR THEIR AUTHORISED AGENTS BEFORE OBTAINING WARRANTY SERVICE