

GRENADA FAN LIGHT KIT

SKU# 210955

Rated Voltage 220-240V~ 50Hz

Thank you for purchasing this quality Lucci product. To ensure correct function and safety, please read and follow all instructions carefully before using the product. Please keep instructions for future reference.

Warranty

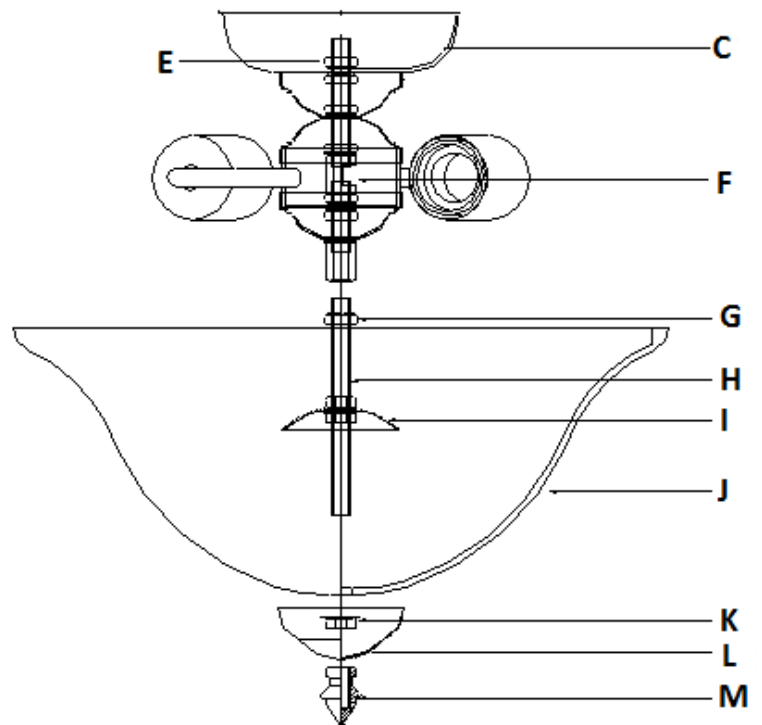
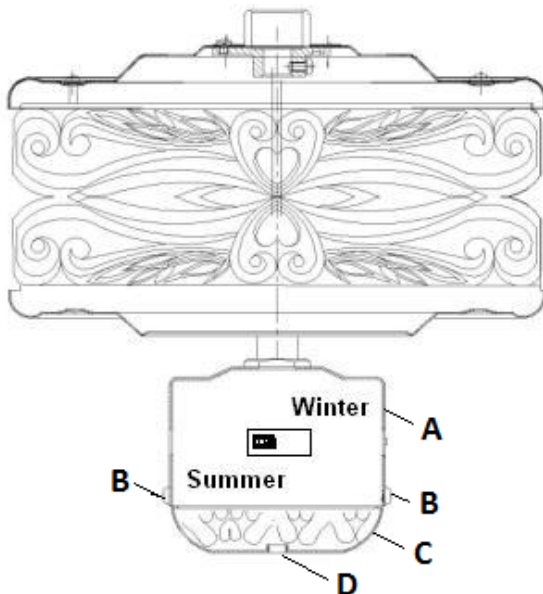
- This light fitting is covered by a 12 month warranty. Please retain proof of purchase and evidence of installation by a licensed electrician.
- Warranty will be void if there is any damage due to improper usage or modification to the fitting.

Installation requirements

- Must be installed by a licensed electrician.
- All wiring and installation of the light fitting must adhere to local and national wiring rules.
- Do not exceed the maximum wattage rating.
- Select a suitable location for installation;
 - This product is suitable for indoor use only.
 - Ensure the fitting is not installed next to any air vents and is not in any moist or damp areas.
- Take care not to pull any electrical wires during unpacking as this may damage the connection.
- Lay out all the components on a smooth surface and make sure there are no components missing before assembling.
- Check whether the fitting has been damaged during transport. Do not operate/install any product which appears damaged in any way. Return the complete product to the place of purchase for inspection, repair or replacement.
- Ensure power to the circuit you are working on has been switched OFF.

Installation directions

1. Remove all packaging material from the product.
2. Remove the cover plate (C) from the bottom of the fan (A) by loosening the 3 screws (B).
3. Push the decorative nut (D) out of the centre hole in the cover plate (C).
4. Insert the L and N light wires and threaded rod through the centre hole of the cover plate.
5. Secure the fan light kit body (F) to the cover plate (C) using the nut and washer provided (E).
6. Connect the L and N light wires to terminal block inside fan housing.
7. Re attach the cover plate and assembled fan light to the bottom of the fan using the 3 screws (B) removed in step 2.
8. Install bulbs (not included) into the lamp holder sockets (ensure max wattage is not exceeded).
9. Secure the threaded rod (H) to light kit body (F) using the nut (G).
10. Adjust the plate (I) position on the threaded rod to suitable for installing lamp shade (J). Finally secure it on the rod using nuts.
11. Secure the lamp shade (J) to threaded rod (H) using nut and flat washer (K).
12. Attach the lamp shade cover (L) to lamp shade (J) and secure it using finial (M).



Safety tips

- Always ensure the power is OFF and the fitting has cooled down before performing any maintenance, cleaning, changing the globe or adjustment to the fitting.
- Do not touch the globe with bare hands. Use a clean cloth, gloves or a tissue.
- To avoid injury or damage to the fitting, ensure that power leads and screws are secure before connecting the power.
- Select a suitable location away from liquids and hazards.
- Ensure that the fitting does not come in contact with corrosive chemicals, etc.
- To clean, wipe with a damp clean cloth. Never soak the fitting with water.

Specifications

SKU #	210955
Model #	LD-21286/LT KIT
Rated Voltage	220-240V~ 50Hz
Rated Wattage	2 x 42W (Energy Globes Compatible)
Lamp Holder	E27
Weight	2.0 kg
Dimensions	Dia:333mm x H:225mm
Globe	Globes not included