

AIRFUSION NORDIC FAN LED LIGHT KIT

SKU#212903, 212904, 212905, 212906, 212907

Rated Voltage 220-240V~ 50Hz

Thank you for purchasing this quality Lucci product. To ensure correct function and safety, please read and follow all instructions carefully before assembly, installation and use of this luminaire. Please keep instructions for future reference.

Warranty

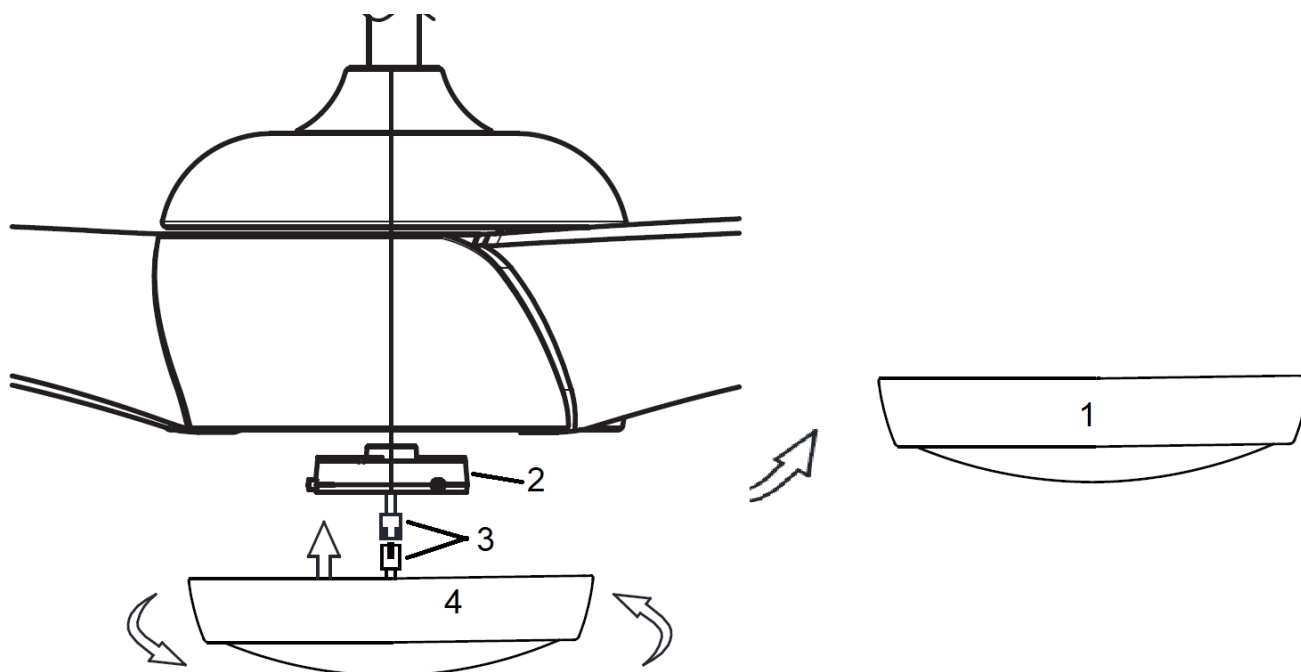
- This light fitting is covered by a 3 year warranty. The warranty is from date of purchase, not the date of installation.
- If the luminaire is not assembled and installed by a licensed electrician it will void the warranty.
- Please retain proof of purchase and evidence of installation by a licensed electrician for any warranty enquiries.
- Warranty will be void if there is any damage due to improper usage or modification to the luminaire.
- Failure to comply with the instructions in this manual may increase the risk of damage or injury and will void warranty.
- **IN EUROPE** – If you are a European customer please contact the retail outlet where the light kit was purchased for warranty service.

Installation Requirements

- Must be assembled and installed by a licensed electrician.
- All wiring and installation of the luminaire must adhere to local and national wiring rules.
eg. AS/NZS 3000:2007/Amendment 2:2012 Electrical installations.
- Select a suitable location for installation;
 - This luminaire is suitable for indoor use only.
 - Ensure the luminaire is not installed in direct line of an air vent system
 - If the luminaire is placed in an area prone to moisture, ensure that the area is well ventilated and an appropriately rated exhaust fan is used if required. Damage or corrosion caused by moisture is not a product fault, and as such is not covered under warranty.
- Take care not to pull any electrical wires during unpacking as this may damage the connection.
- Lay out all the components on a smooth surface and make sure there are no components missing before assembling. If parts are missing, return the complete product to the place of purchase for inspection or replacement.
- Check whether the luminaire has been damaged during transport. Do not operate/install any luminaire which appears damaged in any way. Return the complete product to the place of purchase for inspection, repair or replacement.
- Ensure power to the circuit you are working on has been switched OFF, before commencing any electrical work.

Installation Directions

1. Remove all packaging material from the luminaire.
2. Remove the bottom cover (1) from the body of the fan by rotating it anti-clock wise.
3. Remove the heat shrink insulation tube from connector 3 at fan body end.
4. Plug the connectors (3) together.
5. Attach the LED luminaire (4) to the light kit bracket (2) and secure by rotating it clockwise.



Safety tips

- Always ensure the power is OFF and the luminaire has cooled down before performing any maintenance, cleaning or making any adjustment to the luminaire.
- To avoid injury or damage to the luminaire, ensure that power leads and screws are secure before connecting the power.
- To clean, wipe with a soft damp cloth. Do NOT soak or immerse the luminaire in water or other liquids.
- Ensure that the luminaire does not come in contact with corrosive chemicals/solvents or abrasive cleaners etc.
- The light source of this light kit is not replaceable; when the light source reaches its end of life the whole light kit shall be replaced.

Specifications

| SKU # | 212903 | 212904 | 212905 | 212906 | 212907 |
|---------------|---------------------------|--------|--------|--------|--------|
| Color | Black | White | Blue | Mint | Grey |
| Rated Voltage | 220-240V~ 50Hz | | | | |
| Rated Wattage | 20W | | | | |
| LED Specs | Seoul LEDS, 3000K, 1100lm | | | | |
| Weight | 0.54kg | | | | |
| Dimensions | H:54.5mm Dia:185mm | | | | |