

## SENTINEL STEP LIGHT

SKU# 220239, 220309

Rated Voltage 12V

Thank you for purchasing this quality Lucci product. To ensure correct function and safety, please read and follow all instructions carefully before assembly, installation and use of this product. Please keep instructions for future reference.

**NOTE: This installation instruction applies to the 12V side of the fitting only.**

**This fitting is 12V extra-low voltage and can be DIY.**

**Do not plug this fitting directly into 240V.**

**When working with 240V, a licensed electrician is required.**

**The Lucci wiring kit (SKU# 220826, 220827), Lucci transformer (SKU# 220818, 220819, 220829) and globe are sold separately.**

### Warranty

- This light fitting is covered by a 12 month warranty from the date of purchase. Please retain proof of purchase.
- Warranty will be void if there is any damage due to improper usage or modification to the fitting.
- Failure to comply with the instructions in this manual may increase the risk of damage or injury and will void warranty.
- Warranty will be void if the cabling is installed underground without suitable protection from water or damp conditions.

### Installation Requirements

- Select a suitable location for installation:
  - This fitting is protected against water penetration to IP65 standards, which is jets of water from any direction.
  - This fitting is designed for in ground installation only. Not suitable for installation into the ceiling.
  - The cabling is not suitable for underground installation without protection from water or damp conditions. The cabling is not designed to be immersed in water.
  - This fitting, quick connectors, Lucci wiring kit (sold separately) and Lucci transformer (sold separately) are not designed to be immersed in water. Ensure the installation area has adequate drainage so water does not pool around the fitting, parts and accessories.
  - This fitting can be used where normally flammable materials, including building insulation, are or maybe present, but cannot be abutted against any material and cannot be covered in normal use.
  - Take note of the clearance values. Do not remove any structural members for the installation of this product.

**RISK OF FIRE – BUILDING INSULATION MUST NOT COVER THIS LUMINAIRE**

**HCB = 20mm MIC = 20mm SCB = 10mm SCI = 10mm**

- Do not exceed the maximum wattage rating.
- Take care not to pull any electrical wires during unpacking as this may damage the connection.
- Lay out all the components on a smooth surface and make sure there are no components missing before assembling. If parts are missing, return the complete product to the place of purchase for inspection or replacement.
- Check whether the fitting has been damaged during transport. Do not operate/install any product which appears damaged in any way. Return the complete product to the place of purchase for inspection, repair or replacement.
- Ensure power to the circuit you are working on has been switched OFF before commencing any electrical work.

## Installation Directions

Remove all packaging material from the fitting.

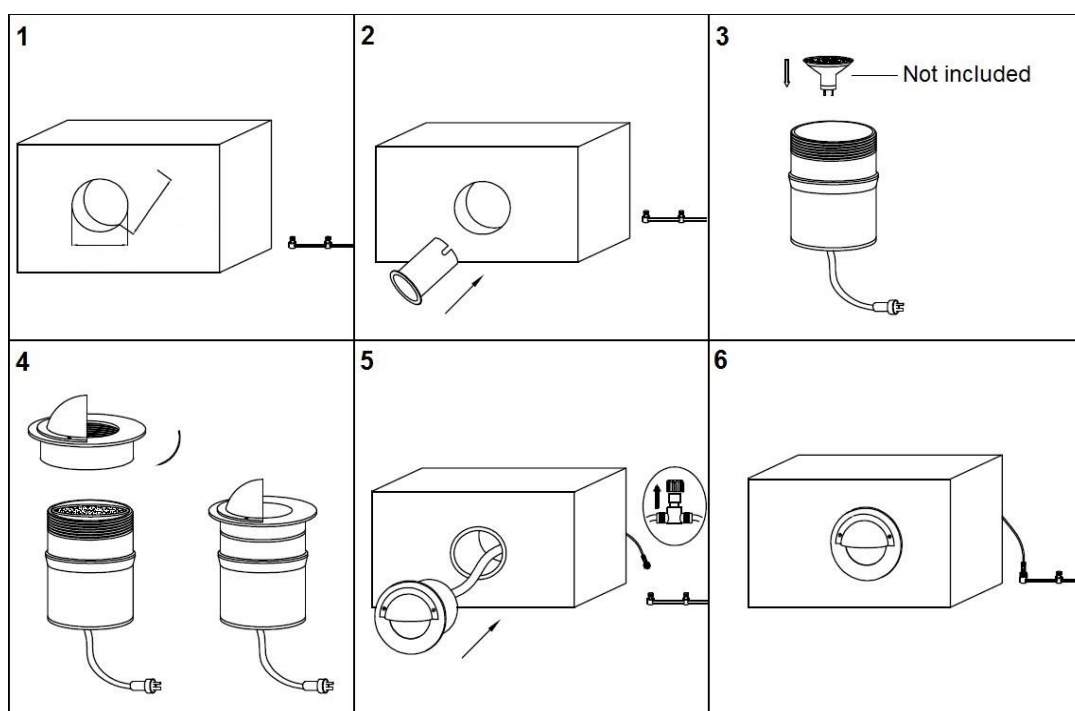
1. Cut an installation hole using the dimensions given in the specifications table of the last page. (Fig.1)
2. Insert the plastic mounting bracket into the installation area. (Fig.2)
3. Remove the front cover from the fitting.  
Install a globe (not included) into the lamp holder. Do not exceed the maximum wattage rating. (Fig.3)
4. Install the front cover back onto the fitting. There will be a small gap between the cover and fitting, this is normal and the fitting will retain its IP65 rating. (Fig.4) *Proceed to step 5.*

### USING LUCCI WIRING KIT AND LUCCI TRANSFORMER (both sold separately)

5. Remove the cover from the connector on the wiring kit (SKU# 220826, 220827 – sold separately).  
Connect the fitting to the wiring kit. **NOTE: The wiring kit is rated for a 120VA load only.**  
Connect the wiring kit (SKU# 220826, 220827 – sold separately) to the transformer (SKU# 220818, 220819, 220829 – sold separately). **NOTE: The transformer is rated for a 80VA, 28VA and 10VA load respectively.**  
Insert the fitting into the plastic mounting bracket and ensure it is secure and does not come out easily. (Fig.5)  
*Proceed to step 6.*

### USING OTHER WIRING AND TRANSFORMER (not included)

5. Remove the 12V bi-pin connector from the cable for hard wiring or alternative wiring method and power supply system. This fitting is rated IP65, this must be maintained during wiring and installation.  
Ensure that the wires are secure and no bare wires are exposed. Ensure all wiring and transformer used is appropriately rated and suitable for the location used. **If unsure please contact a licensed electrician.**  
Insert the fitting into the plastic mounting bracket and ensure it is secure and does not come out easily. (Fig.5)  
*Proceed to step 6.*
6. Ensure all the clearance values are maintained during and after installation of this fitting.  
Refer to the Installation Requirements section in this instruction manual for the clearance values
7. Turn the power on and test the fitting is operating correctly. (Fig.6)



## Safety Tips

- Always ensure the power is OFF and the fitting has cooled down before performing any maintenance, cleaning, changing the globe or making any adjustment to the fitting.
- The external flexible cable or cord of this luminaire cannot be replaced; if the cable or cord is damaged, the luminaire shall be destroyed.
- Do not touch the globe with bare hands. Use a clean cloth, gloves or a tissue.
- The fitting must not be used if the protective shield has been cracked or damaged.
- Replace any cracked protective shield.
- To avoid injury or damage to the fitting, ensure that power leads and screws are secure before connecting the power.
- Ensure that the fitting does not come in contact with corrosive chemicals, etc.
- To clean, wipe with a damp clean cloth. Never soak the fitting with water.

## Specifications

SKU #	220239	220309
Finish	304 Stainless Steel	Matte Black
Rated Voltage	12V	
Rated Wattage	20W MAX	
Lamp Holder	G5.3	
IP Rating	IP65	
Classification	Do-Not-Cover luminaire	
Weight	0.5kg	
Cut out size	H:127mm Dia:70mm	
Dimensions	H:160mm Dia:89mm	