

LEDLUX KUBE EXTERIOR WALL BRACKET

SKU# 220935, 220936

Rated Voltage 220-240V~ 50Hz

Thank you for purchasing this quality Lucci product. To ensure correct function and safety, please read and follow all instructions carefully before assembly, installation and use of this product. Please keep instructions for future reference.

Warranty

- This light fitting is covered by a 3 year warranty. The warranty is from date of purchase, not the date of installation.
- If the fitting is not assembled and installed by a licensed electrician the warranty will be void.
- Please retain proof of purchase and evidence of assembly and installation by a licensed electrician.
- This light fitting is non-dimmable and is not suitable for use with dimmer switches. Warranty will be void if the fitting is used on the same circuit which has a dimmer switch.
- Warranty will be void if there is any damage due to improper usage or modification to the fitting.
- Failure to comply with the instructions in this manual may increase the risk of damage or injury and will void warranty.

Installation Requirements

- This fitting must be assembled and installed by a licensed electrician.
- All wiring and installation of the light fitting must adhere to local and national wiring rules. eg. AS/NZS 3000:2007/Amendment 2:2012 Electrical installations.
- This is a Class I fitting and must be earthed.
- Select a suitable location for installation:
 - This product is suitable for either indoor or outdoor use.
 - The mounting point must support 2 times the weight of the fitting.
 - This fitting is protected against water penetration to IP55 standards, which is jets of water from any direction.
 - This light fitting is not suitable for dimming and should not be used with a circuit which has a dimmer.
- Take care not to pull any electrical wires during unpacking as this may damage the connection.
- Lay out all the components on a smooth surface and make sure there are no components missing before assembling. If parts are missing, return the complete product to the place of purchase for inspection or replacement.
- Check whether the fitting has been damaged during transport. Do not operate/install any product which appears damaged in any way. Return the complete product to the place of purchase for inspection, repair or replacement.
- Ensure power to the circuit you are working on has been switched OFF before commencing any electrical work.

Installation Directions

1. Remove all packaging material from the product and be careful not to throw away accessories that may be hidden within the packaging material. If assembly is required, place the fitting on a smooth non-scratch surface.

2. Remove the mounting bracket (C) from the fitting by loosening the screws (E).

3. Use the mounting bracket as a template to mark the screw positions on the wall.

NOTE: For outdoor installations, it is recommended that a non-corrosive bead of silicone be applied before installation to ensure no water can run down the cable and into the fitting.

4. Install the mounting bracket onto the wall by using appropriately sized mounting screws (D) and anchors (B).

Ensure the mounting screws (D) and anchors (B) used are suitable for the mounting surface.

5. Connect the mains supply wire to the terminal block (A).


Mains Supply Wire

Earth – Yellow/Green 

Neutral – Blue or Black

Live – Brown or Red

Fitting Wire

Yellow/Green or 

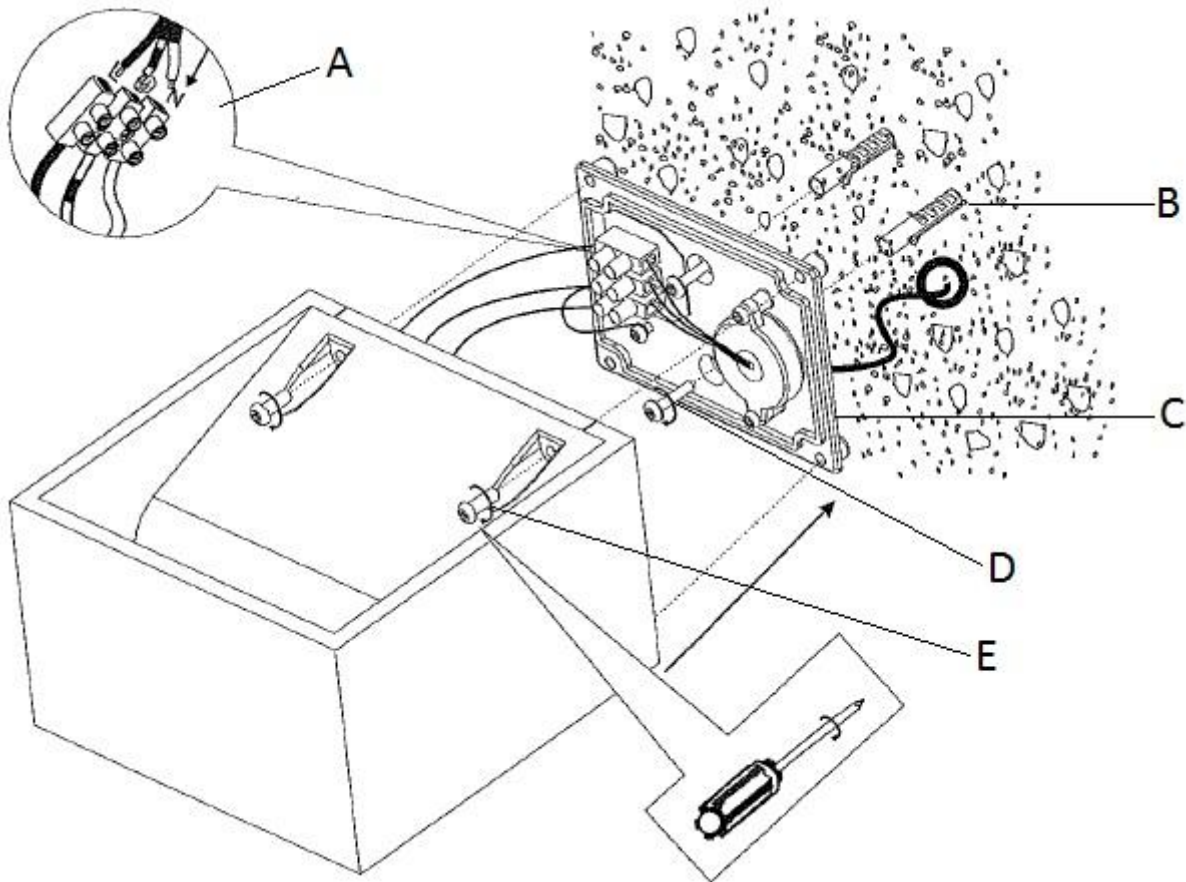
Blue

Brown

Ensure the wires are secure and no bare wires are exposed.

6. Attach the fitting back onto the mounting bracket (C) and secure by re-tightening the screws (E).

7. After the installation, switch on the fitting to test and enjoy your new lighting product.



NOTE: If the protective glass over the LED is broken do not continue to use.

Safety Tips

- Always ensure the power is OFF and the fitting has cooled down before performing any maintenance, cleaning or making any adjustment to the fitting.
- To avoid injury or damage to the fitting, ensure that power leads and screws are secure before connecting the power.
- The fitting must not be used if the shade has been cracked or damaged. Replace any cracked protective shield.
- Handle the fitting and/or shade with care to avoid any damage or breakage.
- To clean, wipe with a soft damp cloth. Do NOT soak or immerse the product in water or other liquids.
- Ensure that the fitting does not come in contact with corrosive chemicals/solvents or abrasive cleaners etc.

Specifications

SKU #	220935	220936
Colour	White	Silver
Rated Voltage	220-240V~ 50Hz	
Rated Wattage	11W (including driver)	
LED specs	Zigen LED, Non-dimmable, 4000K, 950 lumens	Zigen LED, Non-dimmable, 4000K, 650 lumens
IP Rating	IP55	
Weight	1.0kg	
Dimensions	H:80mm W:130mm E:130mm	