

Installation Instructions
SKU# 230149, 230151, 230152
(LD-4060D/BE, LD-4060D/BK, LD-4060D-WH)
Rated Voltage 220-240V~ 50Hz

THANK YOU FOR PURCHASING THIS QUALITY LUCCI PRODUCT, TO ENSURE CORRECT FUNCTION AND SAFETY, PLEASE READ AND SAVE ALL INSTRUCTIONS CAREFULLY BEFORE USING THE PRODUCT.

WARRANTY:

- This light fitting is covered by a 12 month warranty; please retain proof of purchase and evidence of installation by a licensed electrician.

INSTALLATION AND SAFETY REQUIREMENTS:

- **Must be installed by a Licensed Electrician.**
- **Must be installed according to the current wiring rules AS/NZS3000.**
- **Do not exceed the maximum wattage rating.**
- **Only suitable for use “indoors”.**
- **The mounting point must be able to support 4 times the weight of the fitting.**

INSTALLATION DIRECTIONS:

- Take care not to pull any electrical wires during unpacking as this may damage the connection.
- Lay out all the components on a smooth surface and make sure there is no component's missing before assembling.
- Check whether the fitting has been damaged during transport. Do not operate/install any product which appears damaged in any way. Return the complete product to the place of purchase for inspection, repair or replacement.
- Ensure all power has been isolated for your own safety.

1. Select a suitable location for installation. Ensure the fitting is not installed next to any air vents and is not in any moist or damp areas.
2. Remove the back plate (2) from the lamp body and use it as a template to mark the screw position onto the wall.
3. Drill holes in the wall and hammer the anchors (16) into the holes.
4. Insert the screws (1) through the back plate (2), and secure the back plate (2) on the wall by tightening the screws (5)
5. Connect the mains supply wire to the light fitting using the terminal block (4) provided. Ensure that the wires are secure and no bare wires are exposed.

Mains Supply Wire

Earth – Yellow/Green

Neutral – Blue or Black

Live – Brown or Red

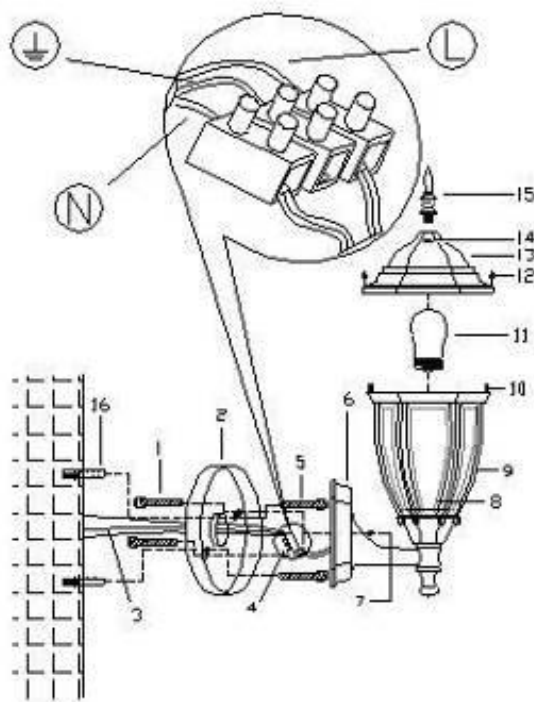
Fitting Wire

Yellow/Green ⊕

Blue

Brown

6. Secure the terminal block (4) onto the back plate (2).
7. Attach the lamp base (6) onto the back plate (2) by tightening the nuts (7) onto the screws (1).
8. Install the bulb (not included) into the lamp holder (8)
9. Secure the finial (15) on the lamp cover (13) by tightening the nut (14).
10. Secure the lamp cover (13) on the lamp body (9) by tightening the screws (10) and nuts (12).



TIPS:

1. To avoid injury or damage to the fitting, ensure that power leads and screws are secure before connecting the power.
2. Handle the fitting and cover/shade with care to avoid breakage.
3. When changing or cleaning bulbs, turn the power OFF and allow to cool. Do not touch bulbs with bare hands, use gloves or a tissue.
4. Find a suitable location away from liquids and hazards.
5. Ensure that the fitting does not come in contact with corrosive chemicals, etc.
6. To clean, wipe with a damp clean cloth. Never soak the fitting in water.

SPECIFICATIONS:

SKU #	MODEL #	RATED VOLTAGE	LAMP HOLDER	RATED WATTAGE
230149	LD-4060D/BE	220-240V~ 50Hz	E27	1x Max. 60W
230151	LD-4060D/BK	220-240V~ 50Hz	E27	1x Max. 60W
230152	LD-4060D/WH	220-240V~ 50Hz	E27	1x Max. 60W