

Rated Voltage 220-240V, 50Hz

Installation Instructions

PLEASE READ ALL INSTRUCTIONS CAREFULLY BEFORE USING THE PRODUCT.

WARNING - to reduce the risk of fire, electrical shock or injury to persons or property, please follow the guideline below for safe use and installation. **THIS PRODUCT MUST BE INSTALLED BY A QUALIFIED ELECTRICIAN.**

- Do not operate/install any product which appears damaged in any way. Return the complete product to the place of purchase for inspection, repair or replacement.

•

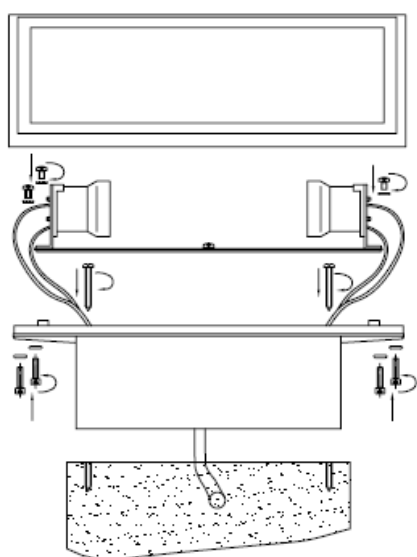
Installation requirements:

- **Must be installed by a Licensed Electrician.**
- **Must be installed according to the current wiring rules AS/NZS3000.**

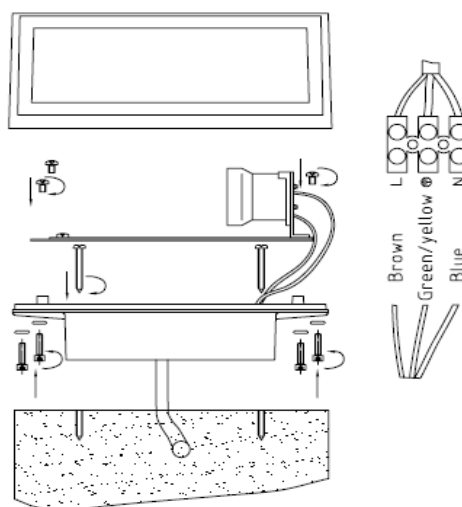
INSTALLATION DIRECTION:

First, please check whether lamps have been damaged during transport. Before attempting to install this units, ensure all power connection off for your own safety. And please pay attention to the following steps:

1. Install the bottom base as shown;
2. Place the lamp holders component and fasten with screws provided;
3. Ensure all wiring is complete, in accordance with the wiring rules AS/NZS3000;
4. Installed globes/lamps, place cover, and then fasten with screws provided.



Model : 230345/230348



Model : 230344/230347

READ AND SAVE THESE INSTRUCTION

REPLACING GLOBES

1. Turn OFF power supply to the light fitting;
2. Remove cover screws and remove the cover;
3. Replace globes, and then replace the cover of the light fitting;

TIPS

1. To avoid injury or damage to the fitting, ensure that power leads and screws are secure before connection the power.
2. Handle the fitting and cover/shade with care to avoid breakage.
3. Turn OFF power and wear gloves when changing or cleaning bulbs.
4. Find a suitable location away for liquid and hazards.
5. Ensure that the fitting does not come in contact with corrosive chemicals, etc.
6. To clean, wipe with a damp clean cloth. Never soak the fitting with water.

Specifications:

Model No.	230345/230348	230344/230347
Rated voltage	220-240V~50Hz	220-240V~50Hz
Rated wattage	2*60W	60W
Protection class	Class I	Class I
Degree of protection	IP65	IP65
Lampholder	E27	E27