

**Installation Instructions**  
**SKU#230356 (LD-236C-304)**

**Rated Voltage 220-240V, 50Hz**

**PLEASE READ AND SAVE ALL INSTRUCTIONS CAREFULLY BEFORE USING THE PRODUCT**

**WARNING** - to reduce the risk of fire, electrical shock or injury to persons or property, please follow the guideline below for safe use and installation.

**INSTALLATION REQUIREMENTS:**

- **Must be installed by a Licensed Electrician.**
- **Must be installed according to the current wiring rules AS/NZS3000.**
- **Do not exceed the maximum wattage rating.**
- **Suitability for use “indoors” & “outdoors”, mounting in any direction.**
- **Check whether the fitting has been damaged during transport. Do not operate/install any product which appears damaged in any way. Return the complete product to the place of purchase for inspection, repair or replacement.**
- **Ensure all power connection is off for your own safety.**
- **Lay out all the components on a smooth surface and make sure there is no component missing before assembly.**

**INSTALLATION DIRECTION:**

- Check whether the fitting has been damaged during transport. Do not operate/install any product which appears damaged in any way. Return the complete product to the place of purchase for inspection, repair or replacement.
- Ensure all power connection is off for your own safety.
- Level all the components on a smooth surface and make sure there is no component missing before assembly.

1. Loose the screws to take off the wall bracket.
2. Drill the holes on the wall and hammer the anchors in the wall. Secure the wall bracket on the wall via screws.
3. Loose the terminal block box cover.
4. Connect the mains supply wire to the light fitting using the terminal block provided. Ensure that the wires are secure and no bare wires are exposed

**Mains Supply Wire**

Earth – Yellow/Green

Neutral – Blue or Black

Live – Brown or Red

**Fitting Wire**

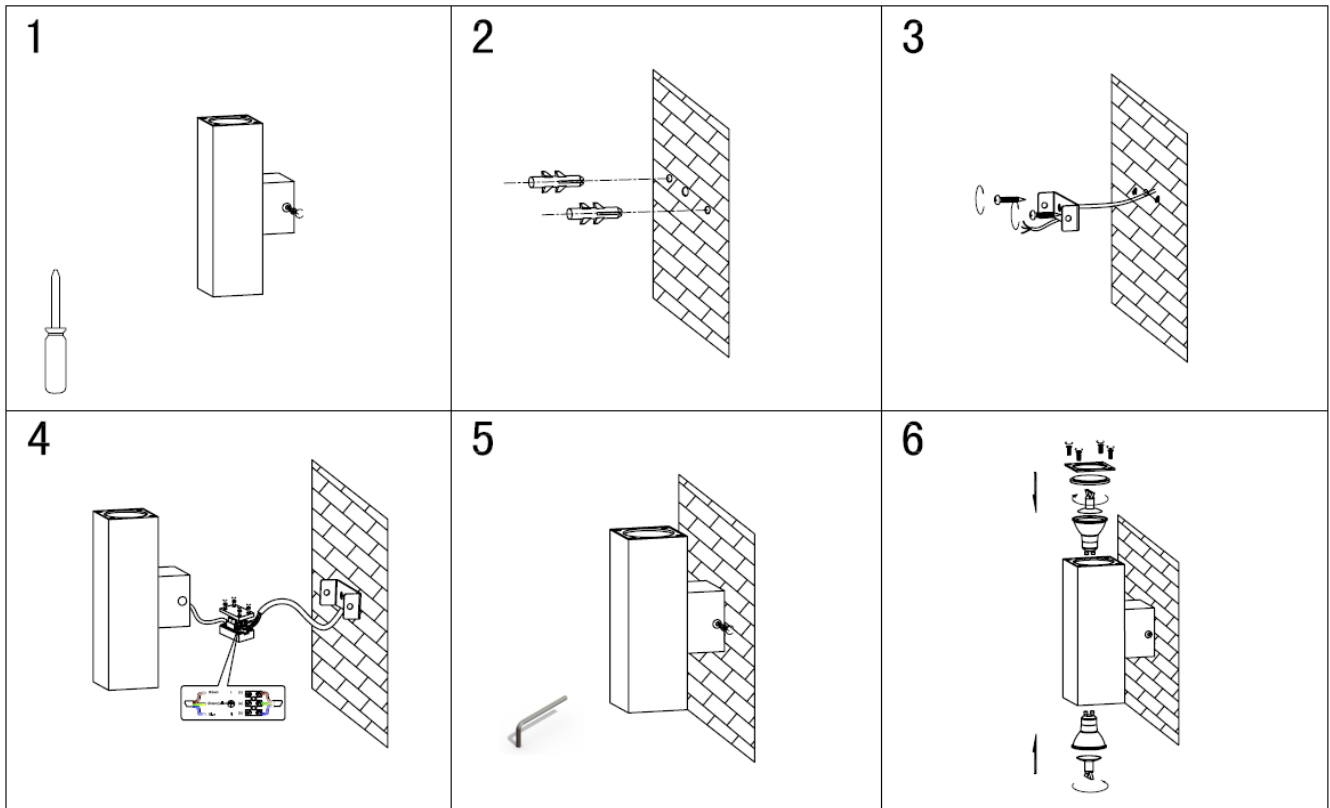
Yellow/Green 

Blue

Brown

5. Secure back the terminal block box cover using screws.
6. Secure the lamp body to wall bracket using screws.

7. Loosen the metal ring via the special tool provided and then take off the diffuser.
8. Pull the lamp holder out and install the bulb (GU10, not included). Make sure the spring ring is holding up the bulb against the diffuser.
9. Secure back the metal ring and diffuser on the lamp base using the special tool provided.



### **TIPS**

1. To avoid injury or damage to the fitting, ensure that power leads and screws are secure before connecting the power.
2. Handle the fitting and cover/shade with care to avoid breakage.
3. When changing or cleaning bulbs, turn OFF power and allow to cool. Do not touch bulbs with bare hands, use gloves or a tissue.
4. Find a suitable location away from liquids and hazards.
5. Ensure that the fitting does not come in contact with corrosive chemicals, etc.
6. To clean, wipe with a damp clean cloth. Never soak the fitting with water.

### **SPECIFICATIONS:**

SKU #	Model #	Rated voltage	Lamp holder	Rated wattage
230356	LD-236C/304	220-240V~50Hz	GU/GZ10	2x Max.35W. OR CFL 1 X Max.11W