

LEDLUX MILES WALL LIGHT

SKU# 239290, 239291, 239292, 239293

Rated Voltage 220-240V~ 50Hz

Thank you for purchasing this quality Lucci product. To ensure correct function and safety, please read and follow all instructions carefully before using the product. Please keep instructions for future reference.

Warranty

- This light fitting is covered by a 3 year warranty. Please retain proof of purchase and evidence of installation by a licensed electrician.
- Warranty will be void if there is any damage due to improper usage or modification to the fitting.
- This fitting is not suitable for use with dimmer switches.
Warranty will be void if the fitting is used on the same circuit which has a dimmer switch.
- Failure to comply with the instructions in this manual may increase the risk of damage or injury and will void warranty.

Installation requirements

- Must be installed by a licensed electrician.
- All wiring and installation of the light fitting must adhere to local and national wiring rules.
eg. AS/NZS 3000:2007/Amendment 2:2012 Electrical installations.
- This fitting is rated IP54. This must be maintained during installation.
- Replace any cracked protective glass to maintain IP rating when using this fitting.
- Select a suitable location for installation;
 - This product is suitable for indoor and outdoor use.
 - The mounting point must support 2 times the weight of the fitting.
- This light fitting is not suitable for use with dimmer switches and should not be used with a circuit which has a dimmer switch.
- Take care not to pull any electrical wires during unpacking as this may damage the connection.
- Lay out all the components on a smooth surface and make sure there are no components missing before assembling.
- Check whether the fitting has been damaged during transport. Do not install any product which appears damaged in any way. Return the complete product to the place of purchase for inspection, repair or replacement.
- Ensure power to the circuit you are working on has been switched OFF.

Installation directions

1. Remove all packaging material from the product and be careful not to throw away accessories that may be hidden within the packaging materials.
2. Remove the lamp base from the fitting by loosening the allen screws (figure 1).
3. Use the lamp base as a template to mark the screw positions onto the wall. Drill holes into the wall and push plastic anchors into the holes.
4. Install the lamp base onto the wall by using the mounting screws with the rubber ring provided. Check and ensure that the anchors and mounting screws being used are suitable for the mounting surface (figure 2).
5. Connect the mains supply wire to the terminal blocks (figure 3). Ensure that the wires are secure and no bare wires are exposed.

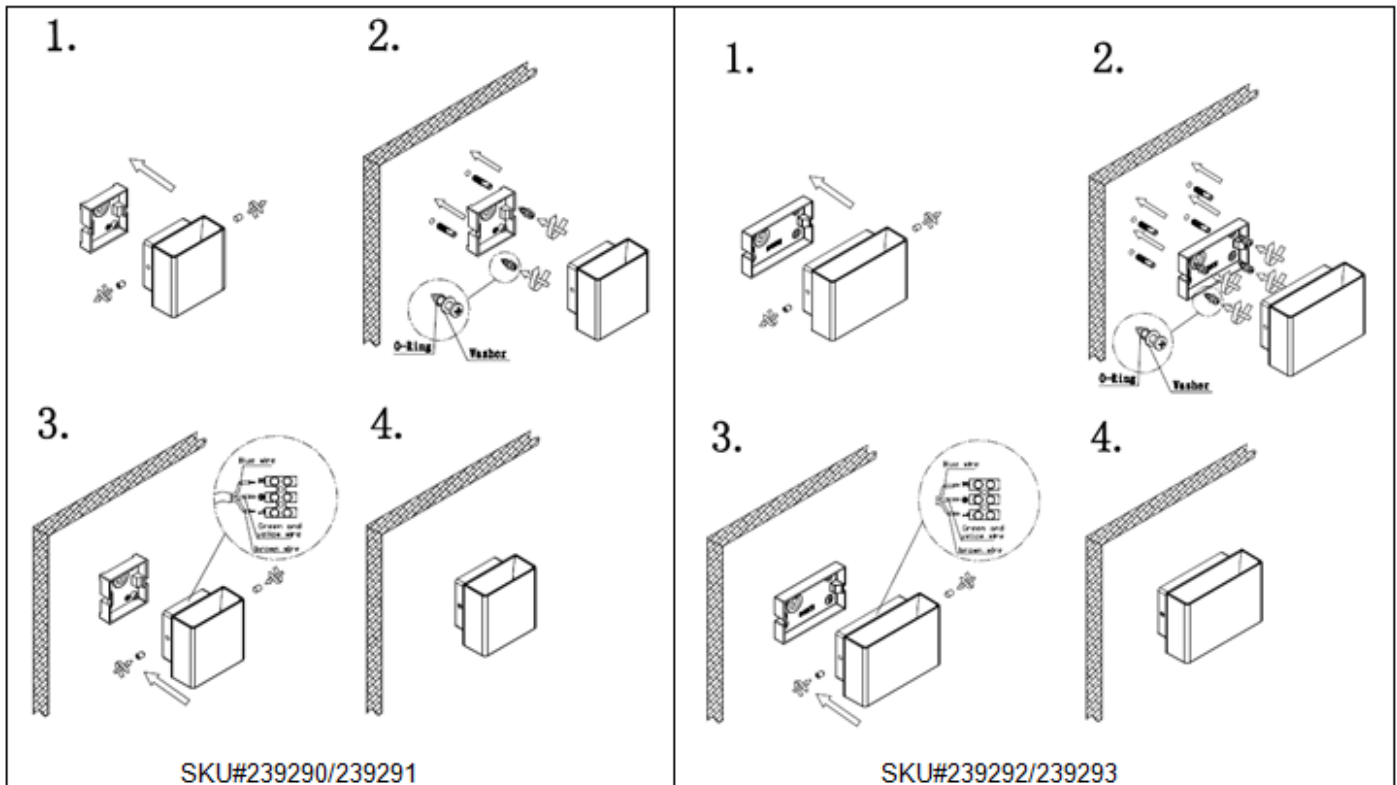
Mains Supply Wire

- Earth – Yellow/Green
- Neutral – Blue or Black
- Live – Brown or Red

Fitting Wire

- Yellow/Green
- Blue
- Brown

6. Install the lamp body onto the lamp base by securing the screws (figure 3).



Safety tips

- Always ensure the power is OFF and the fitting has cooled down before performing any maintenance, cleaning or adjustment to the fitting.
- Select a suitable location away from liquids and hazards.
- Ensure that the fitting does not come in contact with corrosive chemicals, etc.
- To clean, wipe with a damp clean cloth. Never soak the fitting with water.

Specifications

SKU #	239290	239291	239292	239293
Rated Voltage	220-240V~ 50Hz			
Rated Wattage	6W		6W	
LEDs	SAMSUNG, 4000K, 150 Lumens		SAMSUNG, 4000K, 150 Lumens	
IP Rating	IP54		IP54	
Weight	0.31kg		0.41kg	
Dimensions	W:82mm H:82mm E:60mm		W:122mm H:82mm E:60mm	