

Installation Instructions
SKU# 240292, 240293
(LD-AR0094/BK, LD-AR0094/SL)
Rated Voltage 220-240V~ 50Hz

THANK YOU FOR PURCHASING THIS QUALITY LUCCI PRODUCT, TO ENSURE CORRECT FUNCTION AND SAFETY, PLEASE READ AND SAVE ALL INSTRUCTIONS CAREFULLY BEFORE USING THE PRODUCT.

WARRANTY:

- This light fitting is covered by a 3 year warranty; please retain proof of purchase and evidence of installation by a licensed electrician.
- Warranty will be void if there is any damage due to improper usage or modification to the fitting.

INSTALLATION REQUIREMENTS:

- **Must be installed by a Licensed Electrician.**
- **All wiring must adhere to local and national wiring codes. eg. AS/NZS 3000 latest edition.**
- **This fitting is rated IP44, this must be maintained during installation.**
- **The mounting point must be able to support 2 times the weight of the fitting.**
- **The fitting must not be mounted on a surface which can be subject to vibrations.**
- **Take care not to pull any electrical wires during unpacking as this may damage the connection.**
- **Lay out all the components on a smooth surface and make sure there is no component's missing before assembling.**
- **Check whether the fitting has been damaged during transport. Do not operate/install any product which appears damaged in any way. Return the complete product to the place of purchase for inspection, repair or replacement.**
- **Ensure all power to the circuit you are working on has been switched OFF.**
- **Select a suitable location for installation. This fitting is protected against water penetration to IP44 standards, which is splashing in every direction. Take note of the directional label on the fitting before installation.**

PIR (PASSIVE INFRA RED) INTRODUCTION:

The fitting has a PIR (Passive Infra Red) sensing device which continuously scans the operating zone and immediately switches the light on when it detects movement in that area. Whenever movement is detected within the range of the sensor, the light will switch on automatically to illuminate the area.

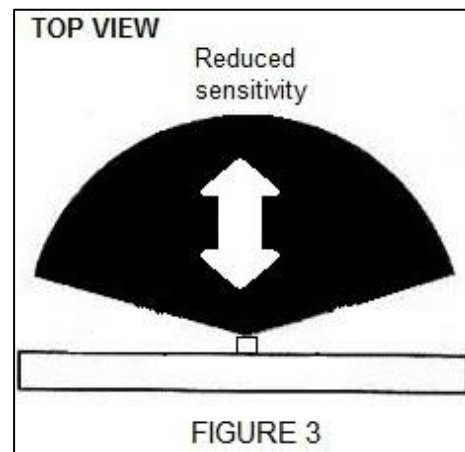
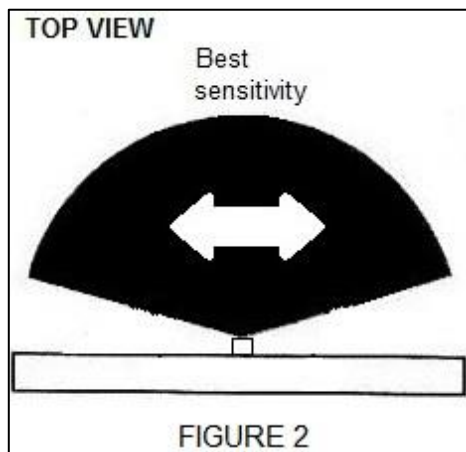
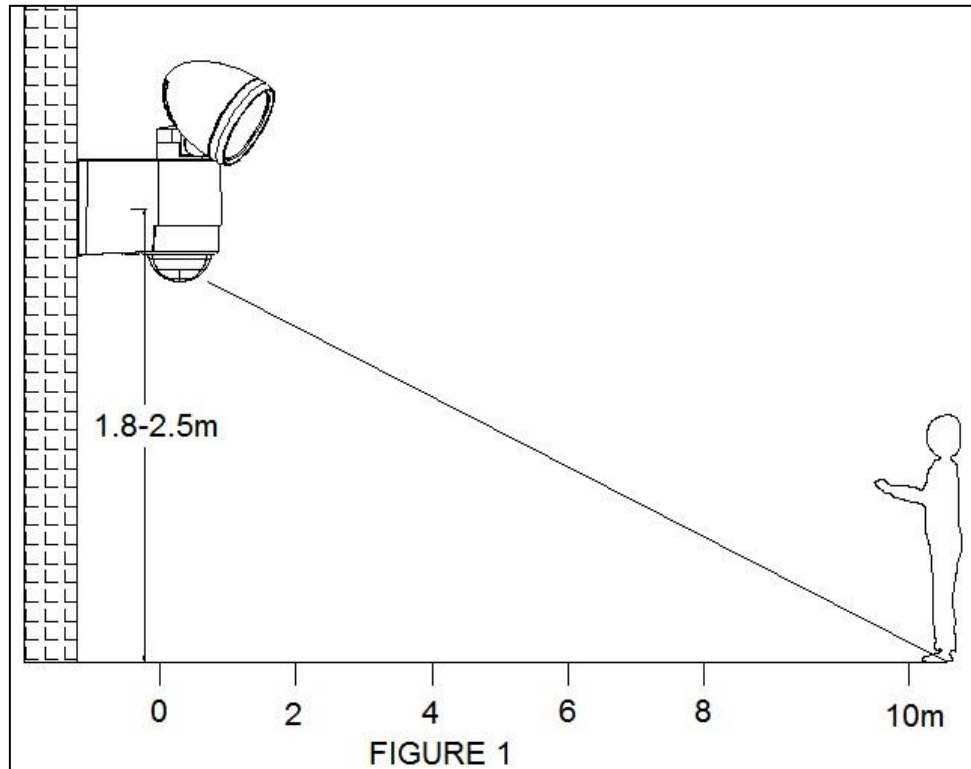
While there is movement within the sensor range, the light will remain on.

SENSOR INFORMATION:

To find a suitable location for installation, please take into consideration the following points:

- The ideal mounting height for the fitting is between 1.8m to 2.5m above the detection area (Figure 1).
- The detection area is approximately 8 metres away at an angle of 100° wide. This may vary depending on the mounting height and location.
- The detection area may also alter at different temperatures. PIR sensors are more sensitive in cold weather than warm weather.
- The sensor has better sensitivity with movement across the detection area (Figure 2).
- The sensor has reduced sensitivity with movement towards and away from the detection area (Figure 3).
- If movement is made walking directly towards or away from the sensor and not across, the apparent detection range will be substantially reduced.
- To avoid nuisance triggering, the sensor should be directed away from potential heat sources such as barbecues, air-conditioners, air vents etc.

- Also avoid areas with electromagnetic disturbance, outside lighting, moving cars, trees or pets etc.
- Avoid installing the fitting in close proximity or on the same circuit to any fluorescent light fittings or ceiling fans. RFI (Radio Frequency Interference) may cause the fitting to switch on unintentionally.
- Do not aim the sensor towards reflective surfaces, such as smooth white walls, swimming pools etc.
- To avoid damage to the sensor, do not aim the sensor towards the sun.
- It is recommended that the fitting is installed on its own switch and does not interconnect with other lights on the same switch as it may cause nuisance triggering.



INSTALLATION DIRECTIONS:

1. Remove the mounting bracket from the back of the fitting by loosening the screws on the top and bottom.
2. Use the mounting bracket as a template to mark the screw positions onto the wall.
Drill holes into the wall and push the plastic anchors into the holes.
Install the mounting bracket onto the wall by using the mounting screws and rubber washers provided.
Ensure the screws used are suitable for the mounting surface.
Loosen the screws on the cord anchorage system and insert the main supply wire through the cord anchorage leading to terminal block.
3. Connect the mains supply wire to the terminal block provided.
Ensure that the wires are secure and no bare wires are exposed.

Mains Supply Wire

Neutral – Blue or Black

Live – Brown or Red

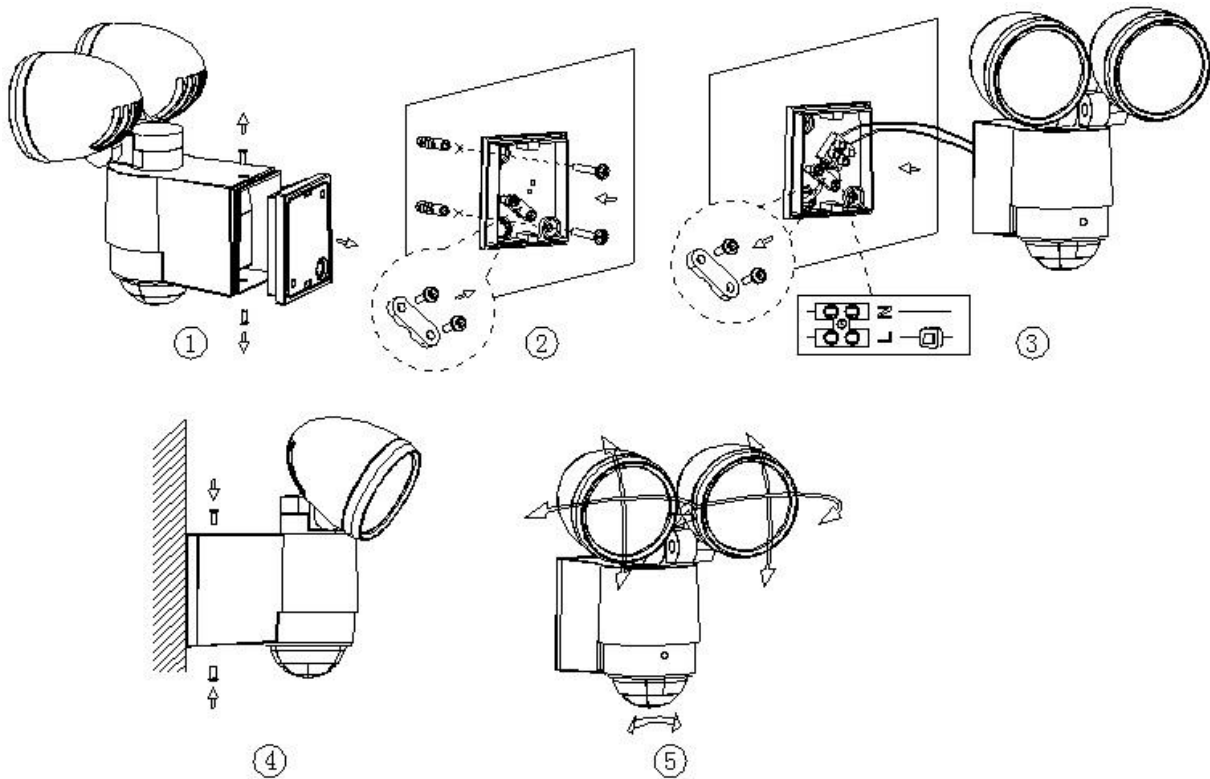
Fitting Wire

Blue

Brown

Place the mains supply wire in the cord anchorage system and secure by tightening the screws.

4. Install the fitting back onto the mounting bracket and tighten the two screws on the top and bottom.
5. Adjust the heads of the fitting to the desired direction.



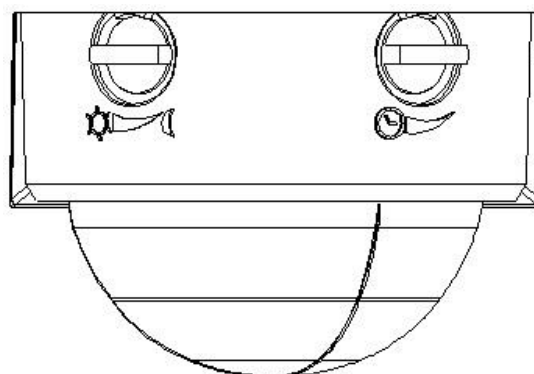
SENSOR SETTINGS:

DURATION TIME: The length of time the light will remain switched on after activation can be adjusted from 10secs \pm 5 to 4mins \pm 1. Rotating the time from (+) to (-) will reduce the duration time.

NOTE: Once the light has been triggered by the PIR sensor, any subsequent detection will start the timed period again from the beginning until there is no movement detected.

LUX LEVEL: The lux control module has a built-in sensing device (photocell) that detects daylight and darkness. The (*) position means that the fitting will work at both day and night. The (D) position will only work at night.

NOTE: If you want to test the detection area of the PIR sensor, please wait for the ambient light level is below 20 lux.



SENSOR TESTING:

1. Put the LUX control knob to the light (✱) position and the TIME control knob to minimum (-). Turn the wall switch on and wait half a minute for the control circuit to stabilise. The light will now switch on and remain on for about 30 seconds (within 60 seconds).
2. Direct the sensor toward the desired area to be scanned by twisting the sensor left and right.
3. Have someone walk across the centre of the area to be scanned and slowly adjust the angle of the sensor until the fitting can sense the moving person and causes the light to switch on.
4. Adjust the TIME control knob to the desired length of time for the fitting to remain on.
5. Adjust the LUX control knob to achieve the ideal ambient light for the fitting to switch “on”.
For the fitting to switch ‘on’ when the ambient light is darker switch the LUX control knob from (✱) to (D).
For the fitting to switch ‘on’ when the ambient light is brighter switch the LUX control knob from (D) to (✱)
You may need to make further adjustments to achieve your ideal light level setting.

SAFETY TIPS:

1. Always ensure the power is OFF and the fitting has cooled down before performing any maintenance or adjustment to the fitting.
2. To avoid injury or damage to the fitting, ensure that power leads and screws are secure before connecting the power.
3. Find a suitable location away from liquids and hazards.
4. Ensure that the fitting does not come in contact with corrosive chemicals, etc.
5. To clean, wipe with a damp clean cloth. Never soak the fitting with water.

TROUBLE SHOOTING:

PROBLEM	POSSIBLE CAUSE	SUGGESTED SOLUTION
Light does not switch on when there is movement in the detection area.	1. No mains voltage	Check all connections, fuses, switches
	2. Nearby lighting is too bright.	Redirect sensor or relocate the unit
	3. Controls set incorrectly	Readjust sensor angle or control knob
Light switches on for no apparent reason (false trigger)	1. Heat sources such as air-con, Vents, heater flues, barbecues, other outside lighting, moving cars are activating sensor.	Adjust direction of sensor head away from these sources.
	2. Animals, birds, possums, pets etc.	Redirecting sensor head may help.
	3. Reflection from a swimming pool or another reflective surface.	Redirect sensor.
Light remains on.	1. Continuously false triggered	Redirecting sensor head may help
	2. Time control is set too long.	Reduce time
Light switches on during daylight hours.	1. LUX control knob is set to daylight position.	Turn the LUX control knob to desired light level setting.
When setting controls in daylight the detection distance becomes shorter.	1. Interference by sunlight	Re-test at night.

SPECIFICATIONS:

SKU #	240292	240293
MODEL #	LD-AR0094/BK	LD-AR0094/SL
RATED VOLTAGE	220-240V~ 50Hz	
RATED WATTAGE	Total 6W (12x0.5W)	
LED	SAMSUNG LEDs, 4000K	
WEIGHT	0.5 kg	
DIMENSIONS	200mm x 175mm x 145mm (W x E x H)	
IP RATING	IP44	