

LUKA SOLAR LED WALL SCONCE WITH SENSOR

SKU#240785

Rated Voltage 3.7 VDC

Thank you for purchasing this quality Lucci product. To ensure correct function and safety, please read and follow all instructions carefully before assembly, installation and use of this luminaire. Please keep instructions for future reference.

Warranty

- This luminaire is covered by a 3 year warranty. The warranty is from date of purchase, not the date of installation.
- Warranty will be void if there is any damage due to improper usage or modification to the luminaire.
- Failure to comply with the instructions in this manual may increase the risk of damage or injury and will void warranty.

Installation requirements

- Select a suitable location for installation;
 - This product is suitable for outdoor use only.
 - This product is protected against water penetration to IP44 standards, which is splashing in every direction and is not designed to be immersed in water.
- Lay out all the components on a smooth surface and make sure there are no components missing before assembling. If parts are missing, return the complete product to the place of purchase for inspection or replacement.
- Check whether the luminaire has been damaged during transport. Do not operate/install any product which appears damaged in any way. Return the complete product to the place of purchase for inspection, repair or replacement.

Installation directions

Remove all packaging material from the product and be careful not to throw away accessories that may be hidden within the packaging material. Determine the best location for installation.

NOTE: Choose the location which can access to the sun light. Avoid the area with possible shade on the solar panel.

NOTE: Choose a best installation position where the sensor can detect the body motion movement.

NOTE: The ideal mounting height for the fitting is between 1.5m to 2.3m above the detection area.

NOTE: The detection area is approximately 5 metres away at an angle of 90° wide. This may vary depending on the mounting height and location.

1. Use the mounting bracket as a template to mark the screw positions onto the wall. (Fig.1)
2. Drill holes into the wall and push plastic anchors into the holes. Ensure that the anchors and mounting screws used are suitable for the mounting surface. (Fig.2)
3. Install the mounting bracket onto the wall by using the mounting screws. (Fig.3)
4. Turn the ON/OFF switch to the ON position. Secure the luminaire on the mounting bracket by tightening the 2 screws on the mounting bracket. (Fig.4)

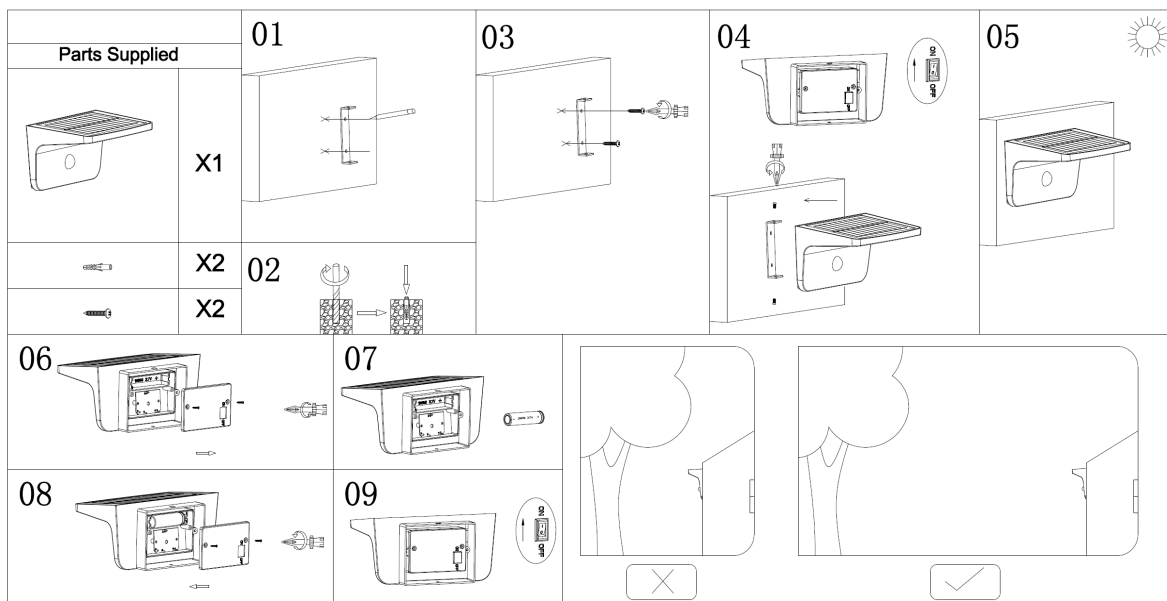
NOTE: The solar panel can charge the battery under sunlight when the ambient light level is higher than 100 lux. When there is no sunlight and the ambient light lever is below 100 lux, the luminaire will activate the detective function. And when the body movement is detected, it will be lighted up and lasting for 45s.

Replacement of the battery:

The luminaire has a built-in rechargeable battery.

ICR18650 (3.7V 2000mAh) type battery located inside the unit has a limited life (1.5 – 2 years). After this time the battery can be replaced by a new one by the following steps:

- Uninstalled the wall bracket then turn off the on/off switch.
- Removing the battery compartment cover from the solar unit body by loosening the 2 screws. (Fig.6)
- Replace the battery with a new one. Make sure the polarity is right. (Fig.7)
- Secure the battery compartment cove back using the screws. (Fig8)
- Turn on the on/off switch then install the luminaire back to the wall bracket. (Fig.9)



Safety tips

- Do not drop or make impact onto the luminaire.
- Do not turn on the ON/OFF switch during transportation or any faulty conditions (battery leakage, control unit box damaged / burned / high temperature).
- The light source of this luminaire is not replaceable; when the light source reaches its end of life the whole luminaire shall be replaced.
- Dispose of exhausted batteries immediately and safely (so they cannot be retrieved by children). Contact your local council to safely dispose of the battery.

Specifications

SKU	240785
Rated Voltage	3.7 VDC
IP Rating	IP44
Dimensions	H:100mm x W:200mm x E:130mm
Battery	ICR18650 (3.7V 2000mAh) rechargeable Li-ion battery included Replaceable
PIR Sensor	Detection range & angle: Max.5M, 90° Required installation height: 1.5 – 2.3M
LEDS Specs	200 lumens, 4W , 3000K, CRI>80
Weight	0.43kg