

Madras

SKU# 261116

Rated Voltage 220-240V~ 50Hz

Thank you for purchasing this quality Lucci product. To ensure correct function and safety, please read and follow all instructions carefully before assembly, installation and use. Please keep the instructions for future reference.

Warranty

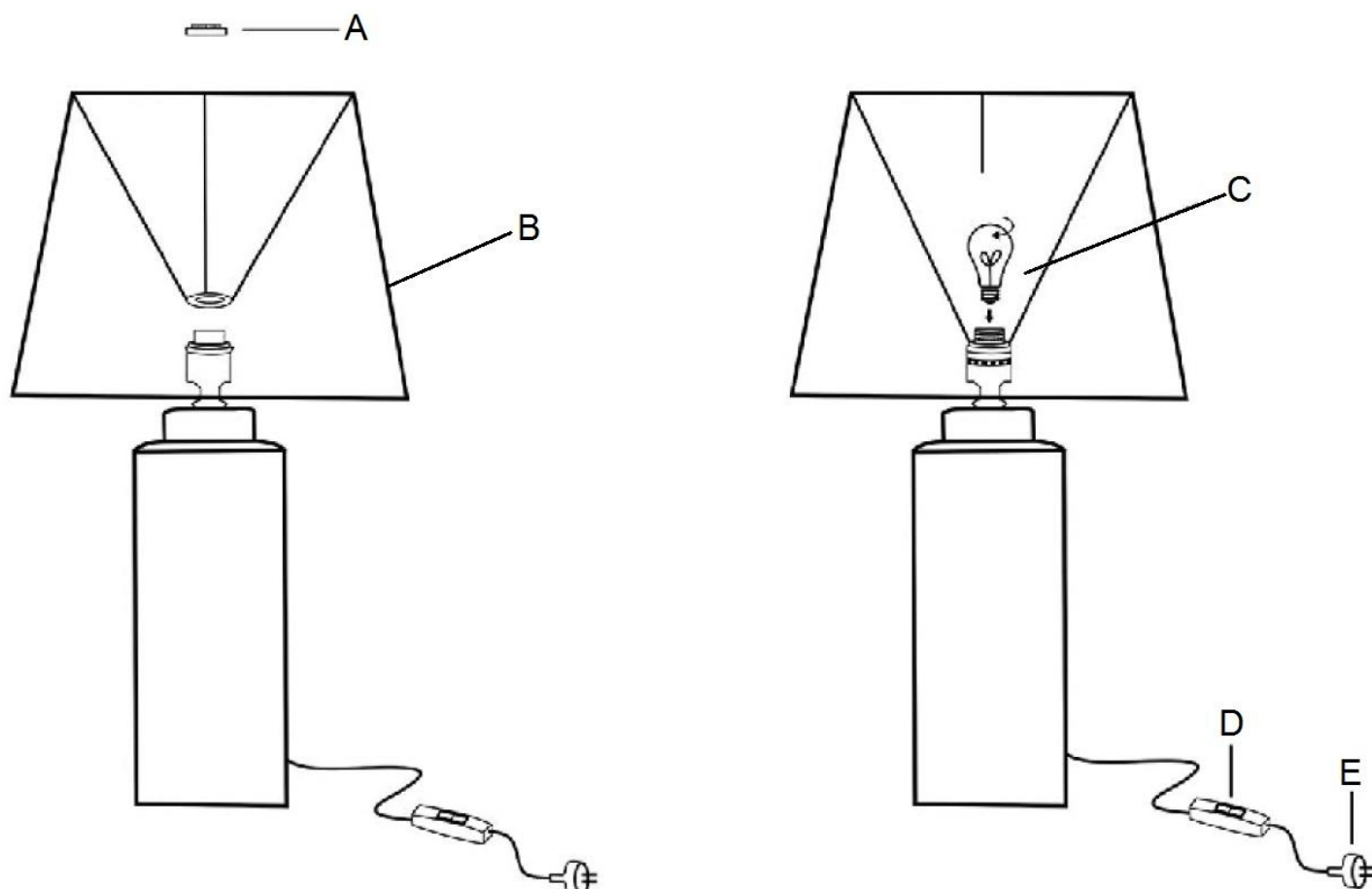
- This light fitting is covered by a 12 month warranty. Please retain proof of purchase.
- Warranty will be void if there is any damage due to improper usage or modification to the fitting.
- Failure to comply with the instructions in this manual may increase the risk of damage or injury and will void warranty.

Installation requirements

- Select a suitable location for installation;
 - Ensure it is on a flat and stable surface.
 - This product is suitable for indoor use only.
 - Do not place flammable material near or over the fitting.
 - Ensure the fitting is not installed next to any air vents and is not in any moist or damp areas
- Do not exceed the maximum wattage rating.
- Take care not to pull any electrical wires during unpacking as this may damage the connection.
- Lay out all the components on a smooth surface and make sure there are no components missing before assembling. If parts are missing, return the complete product to the place of purchase for inspection or replacement.
- Check whether the fitting has been damaged during transport. Do not operate/install any product which appears damaged in any way. Return the complete product to the place of purchase for inspection, repair or replacement.
- Do not plug into the mains power socket outlet before or during assembly. Only do so after the portable lamp is fully assembled and ready to use for the first time.

Installation directions

1. Remove all packaging material from the product.
2. Remove the lampholder ring (A) from the lamp holder.
3. Secure the lamp shade (B) onto the lampholder using the lampholder ring (A).
4. Install a globe (C - not included) into the lamp holder. Do not exceed the maximum rated wattage.
5. Insert the plug (E) into the socket outlet and ensure it is fully plugged in.
6. Turn power on at the mains power socket outlet.
7. Use the cord line switch (D) to turn the lamp on/off.



Safety tips

- Always ensure the power is OFF and the fitting has cooled down before performing any maintenance, cleaning, changing the globe or adjustment to the fitting.
- To avoid injury or damage to the fitting, ensure that power leads and screws are secure before connecting the power.
- Young children should be supervised to ensure that they do not play with the fitting.
- Handle the fitting and/or shade with care to avoid any damage or breakage.
- Select a suitable location away from liquids and hazards.
- Ensure that the fitting does not come in contact with corrosive chemicals, etc.
- To clean, wipe with a damp clean cloth. Never soak the fitting with water.

Specifications

SKU #	261116
Model #	JCD-X9051B
Rated Voltage	220-240V~ 50Hz
Rated Wattage	60W Max.
Lamp Holder	ES / E27
Weight	5.4kg
Dimensions	H:720mm L:380mm W:380mm