

CANADA LED WALL SCONCE

SKU# 309049

Rated Voltage 220-240V~ 50Hz

Thank you for purchasing this quality MFL product. To ensure correct function and safety, please read and follow all instructions carefully before assembly, installation and use of this product. Please keep instructions for future reference.

Warranty

- This luminaire is covered by a 3 year warranty. The warranty is from date of purchase, not the date of installation.
- If the luminaire is not assembled and installed by a licensed electrician the warranty will be void.
- Please retain proof of purchase and evidence of assembly and installation by a licensed electrician.
- Warranty will be void if there is any damage due to improper usage or modification to the luminaire.
- Failure to comply with the instructions in this manual may increase the risk of damage or injury and will void warranty.
- The use of non-tested dimmers may damage your LED luminaire and will void your warranty.

Installation Requirements

- This luminaire must be assembled and installed by a licensed electrician.
- All wiring and installation of the luminaire must adhere to latest local and national wiring rules.
eg. AS/NZS 3000 Electrical installations.
- This luminaire is a Class I product and must be earthed.
- Select a suitable location for installation:
 - This product is suitable for indoor use only.
 - The mounting point must support 2 times the weight of the luminaire.
 - Ensure the luminaire is not installed in direct line of an air vent/system.
 - If installing a luminaire in an area prone to moisture, ensure that the area is well ventilated and an appropriately rated exhaust fan is used if required. Damage or corrosion caused by moisture is not a product fault, and as such is not covered under warranty.
- This luminaire is dimmable and has been tested at the date of publication with the dimmers listed in the specification section. The use of a LED dimmer such as the Lucci LEDlux SKU# 290997/290998 dimmer is highly recommended.
- **NOTE:** For the best dimming range, use with the Lucci LEDlux SKU# 290997/290998 dimmer and adjust the variable resistor at minimum and maximum dimming positions on the dimmer during the installation.
- **NOTE:** Dimming may cause buzzing sounds or a slight flicker. There may be slight delays with the LED light start up or slight uneven light performance when more than one LED luminaire is linked together, switched ON or dimmed. This is not a product fault and as such is not covered under warranty.
- **NOTE:** Some dimmers have a minimum load of 20W. Ensure the dimmer position is on the maximum setting before turning on the LED light and adjust the dimmer down to your desired light level.
- **NOTE:** Testing cannot account for installation variables such as variation in mains supply voltage, cable capacitance, electrical noise, transients, surges and ripple control signals (commonly found in NSW & QLD).
- Take care not to pull any electrical wires during unpacking as this may damage the connection.
- Lay out all the components on a smooth surface and make sure there are no components missing before assembling. If parts are missing, return the complete product to the place of purchase for inspection or replacement.
- Check whether the luminaire has been damaged during transport. Do not operate/install any product which appears damaged in any way. Return the complete product to the place of purchase for inspection, repair or replacement.
- Ensure power to the circuit you are working on has been switched OFF before commencing any electrical work.


Installation Directions

1. Remove all packaging material from the product and be careful not to throw away accessories that may be hidden within the packaging material. If assembly is required, lay the luminaire on a smooth non-scratch surface.
2. Use the mounting bracket as a template to mark the position of the holes onto the ceiling. Drill holes into the wall and place the plastic anchors into the holes. (Step 1)
3. Secure the mounting bracket onto the wall with the screws provided. Ensure the screws and anchors used are suitable for the mounting surface and the surrounding environment. (Step 2)
4. Connect the mains supply wire to the terminal block. (Step 3)

Mains Supply Wire

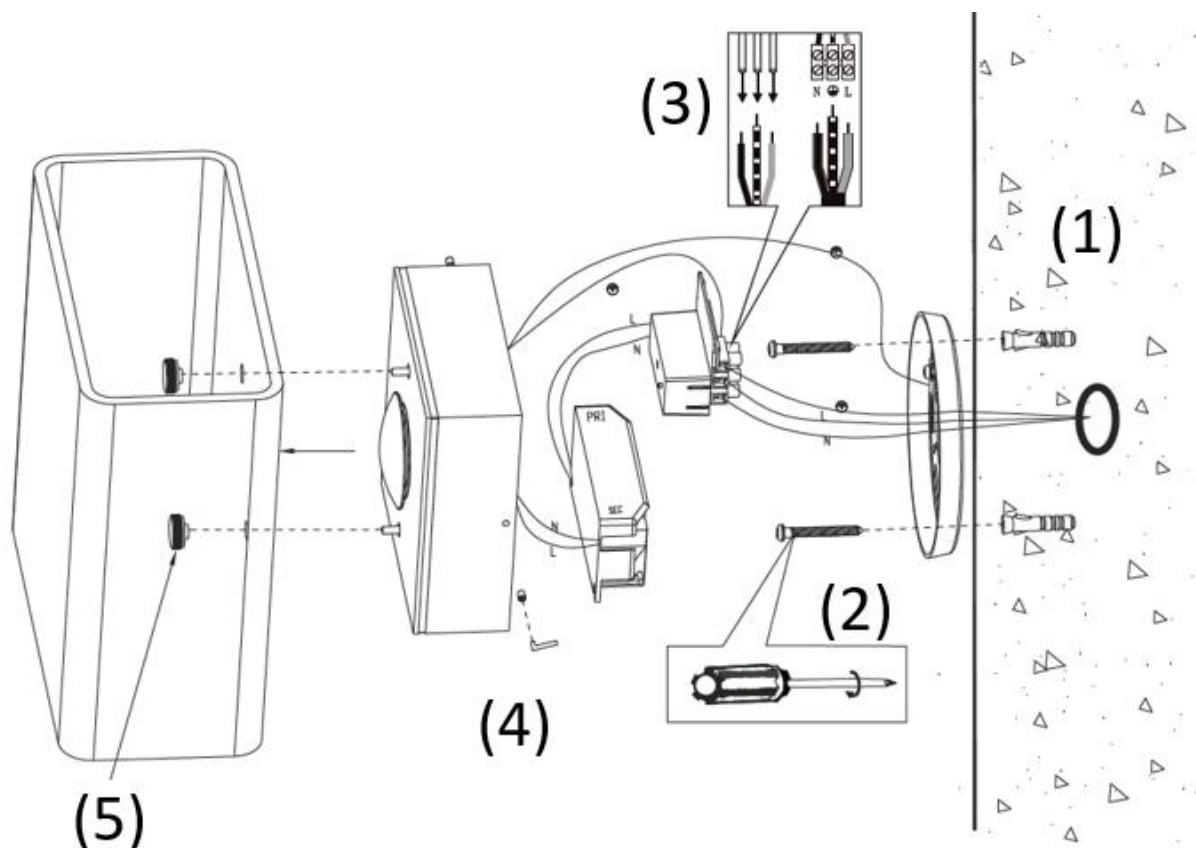
Earth – Yellow/Green
 Neutral – Blue or Black
 Live – Brown or Red

Luminaire Wire / Terminal block

Yellow/Green or 
 Blue or N
 Brown or L

Ensure the wires are secure and no bare wires are exposed.

5. Install the main body on the mounting bracket by tightening the two screws with the provided allen key. (Step 4)
6. Install the glass diffuser onto the luminaire and secure by the two nuts. (Step 5)
7. After the installation, switch on the luminaire to test and enjoy your new lighting product.



Troubleshooting		
PROBLEM	POSSIBLE CAUSE	SUGGESTED SOLUTION
Does not work. (New installation)	Wiring loose or no power to the luminaire.	Check your circuit breaker/safety switch box turn on power to your circuit.
Does not work. (Existing installation)	No power to the luminaire.	Check your circuit breaker/safety switch box and turn on power to your circuit.
		Contact your nearest Beacon Lighting store.
Flickers when dimming. (New installation)	Non-tested dimmer used.	Check the dimmer used. Ensure the dimmer used is on the list of tested dimmers in this manual.
	Some dimmers have a variable loading adjustment function. eg. Lucci LEDlux SKU# 290997/290998 dimmer. This may not have been adjusted during the installation of the dimmer.	The variable resistor needs to be adjusted to suit the luminaire load to reduce the flickering.
Flickers when dimming. (Existing installation)	Dimmer position on low.	Ensure the dimmer position is on the maximum setting before turning on the luminaire and adjust the dimmer down to your desired light level.
Buzzing sound.	Non-tested dimmer used.	Check the dimmer used. Ensure the dimmer used is on the list of tested dimmers in this manual.
Uneven light start up.	Dimmer position on low when switched on.	Ensure the dimmer position is on the maximum setting before turning on the luminaire and adjust the dimmer down to your desired light level.

Safety Tips

- Always ensure the power is OFF and the luminaire has cooled down before performing any maintenance, cleaning or making any adjustment to the luminaire.
- To avoid injury or damage to the luminaire, ensure that power leads and screws are secure before connecting the power.
- The LEDs are not replaceable and there are no serviceable parts, do not attempt to dismantle or open the product.
- Select a suitable location away from liquids and hazards.
- To clean, wipe with a soft damp cloth. Do NOT soak or immerse the product in water or other liquids.
- Ensure that the luminaire does not come in contact with corrosive chemicals/solvents or abrasive cleaners etc.

Specifications	
SKU #	309049
Colour	White
Rated Voltage	220-240V~ 50Hz
Rated Wattage	9W (including LED driver)
LED Specs	Zigen LEDs, 580 Lumens, 3000K, CRI:93, Dimmable
Dimmer Information	Highly Recommended Dimmers: Lucci LEDlux SKU# 290997 Lucci LEDlux SKU# 290998
	Tested Dimmers: Buster & Punch Dim-002, Clipsal 31E2RUDM, 31E2PUDM, 32E450UDM, 32E450TM and 32ELEDM, HPM Cat. 400T
Weight	1.4kg
Dimensions	H:180mm W:180mm Ext:125 mm