

# CEILING FAN MANUAL

- **INSTALLATION**
- **OPERATION**
- **MAINTENANCE**
- **WARRANTY INFORMATION**



## **LUCCI AIRFUSION CLIMATE II DC CEILING FAN**

## CONTENTS

GB	Installation Instruction Manual .....	3
D	Installationsanleitung .....	17
F	Guide d'installation.....	30
E	Manual de instrucciones de instalación.....	43
I	Manuale delle istruzioni di installazione.....	57
NL	Installatiehandleiding.....	70



## CONGRATULATIONS ON YOUR PURCHASE

Congratulations on purchasing the latest in energy saving ceiling fans. This fan runs on DC (direct current) power which gives it the benefit of being super energy efficient whilst still maintaining high volume air-movement and silent operation.

**Energy Saving** - The DC motor is the latest technology in fan design. Its highly efficient motor saves up to 65% energy than ceiling fans with traditional AC motors.

**Silent operation** – this DC fan motor is programmed with a stabilized current which efficiently reduces motor noise.

**Low operating temperature** – The DC power is managed effectively which brings down the motor operating temperature to less than 50deg. This results in a much cooler motor than a standard AC fan and increases the longevity of the motor.

**6 speed remote control**, regular AC ceiling fans usually come with only 3 speeds, this DC fan comes complete with a 6 speed remote, which give greater choice of comfort levels.

### SAFETY PRECAUTIONS

- 1) This appliance is NOT intended for use by persons (including children) with reduced physical, sensory or mental capabilities, or lack of experience and knowledge, unless they have been given supervision or instruction concerning use of the appliance by a person responsible for their safety.
- 2) Children should be supervised to ensure that they do not play with the appliance.
- 3) The all-poles disconnection must be incorporated in the fixed wiring in accordance with the wiring rules.
- 4) Do not dispose of electrical appliances as unsorted municipal waste, use separate collection facilities. Contact your local government for information regarding the collection systems available. If electrical appliances are disposed of in landfills or dumps, hazardous substances can leak into the groundwater and get into the food chain, damaging your health and well-being.
- 5) The structure to which the fan is to be mounted must be capable of supporting a weight of 30kg.
- 6) The fan should be mounted so that the blades are at least **2.3** meters above the floor for Europe.
- 7) The fan should be mounted so that the blades are at least **2.1** meters above the floor for Australia.
- 8) The fan is designed for indoor use only. Mounting the fan in a situation where it is subject to water or moisture is dangerous.
- 9) Only an authorized electrician should execute the installation.



## BEFORE INSTALLATION

Unpack your fan and check contents. You should have the following:

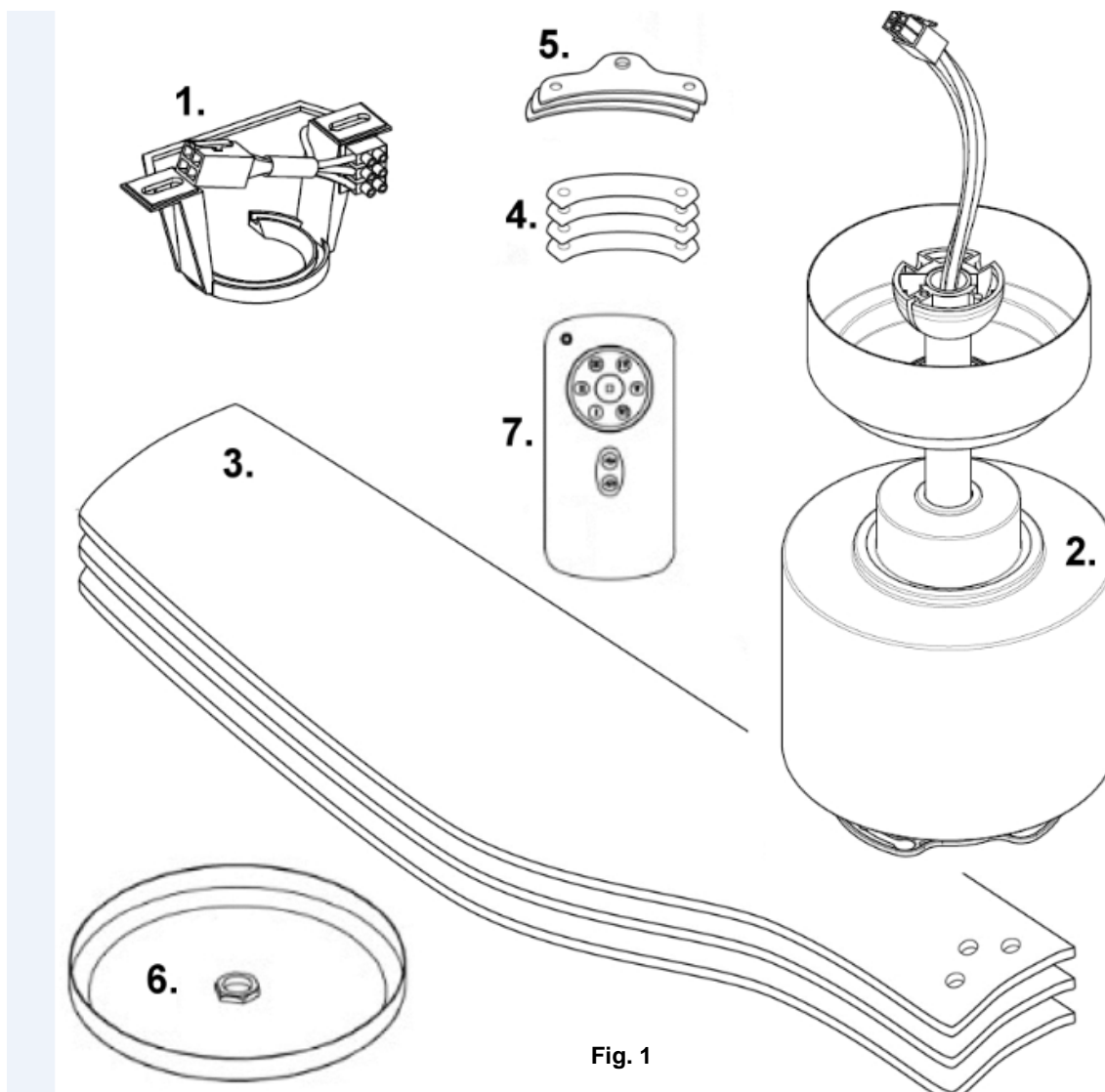


Fig. 1

- |   |                                                                       |    |                                         |
|---|-----------------------------------------------------------------------|----|-----------------------------------------|
| 1 | mounting bracket x 1                                                  | 7  | Remote transmitter with holder x 1 set  |
| 2 | Fan assembly with hanger cover, down rod, canopy cover and canopy x 1 | 8  | Extra Motor screws x 1 (not shown)      |
| 3 | Blades x 3                                                            | 9  | Wooden screw x 2 (not Shown)            |
| 4 | Blade fiber x 3                                                       | 10 | Balancing kits x 1 set (not shown)      |
| 5 | Blade bracket kit x 3                                                 | 11 | Screw for remote holder x 2 (not shown) |
| 6 | Bottom cover x 1                                                      | 12 | 12V Battery for remote x 1 (not shown)  |

## TOOLS REQUIRED

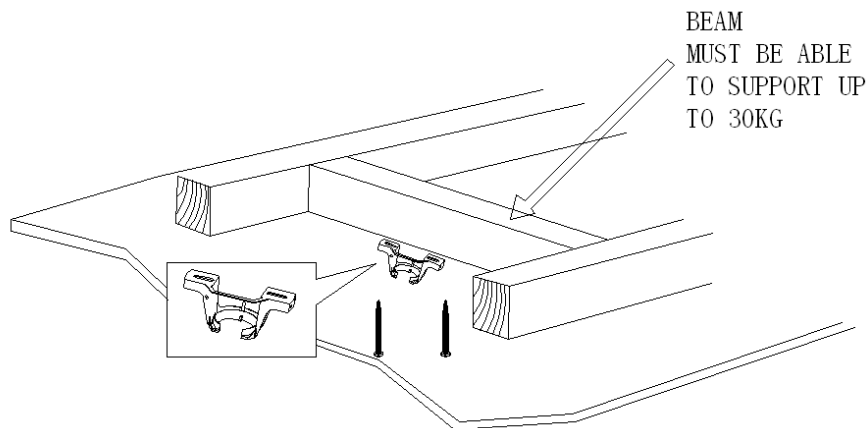
### TOOLS REQUIRED:

- Phillips / Flat head screw driver
- Pair of pliers
- Adjustable Spanner
- Step ladder
- Wire cutter
- Wiring, supply cable as required by local provincial and national wiring codes and regulations.

## INSTALLING THE MOUNTING BRACKET

The ceiling fan must be installed in a location so that the blades are 300mm spacing from the tip of the blade to the nearest objects or walls.

Secure the hanging bracket to the ceiling joist or structure that is capable of carrying a load of at least 30KG, with two long screws provided. Ensure at least 30mm of the screw is threaded into the support.



NOTE: PICTURE IS FOR REPRESENTATION ONLY AND  
DO NOT REPRESENT THE ACTUAL BRACKET.

Fig. 2

**NOTE: The bracket screws provided are for use with wooden structures only. For structures other than wood, the appropriate screw type **MUST** be used.**

### Angled Ceiling Installation

This fan hanging system supports a maximum 20 degree angled ceiling installation.

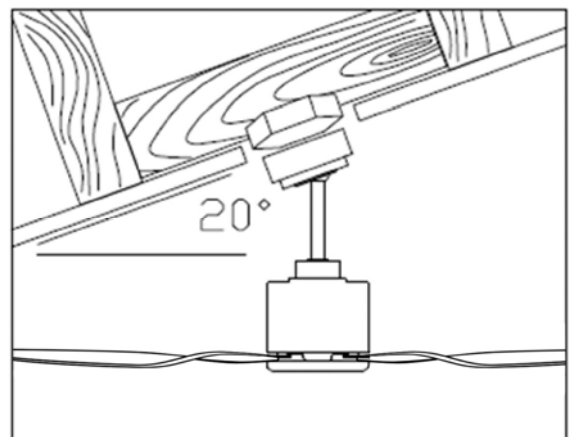


Fig. 3

# HANGING THE FAN MOTOR ASSEMBLY

## Installing Down rod

- Lift fan assembly onto mounting bracket. Fig.4
- Ensure the notch of ball joint is positioned on the stopper of mounting bracket to prevent fan from rotating when in operation. Fig. 5

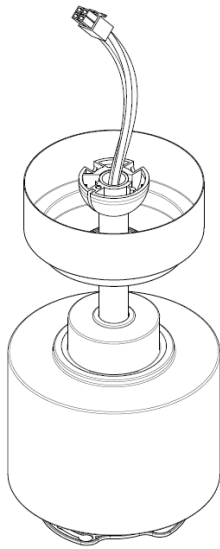


Fig. 4

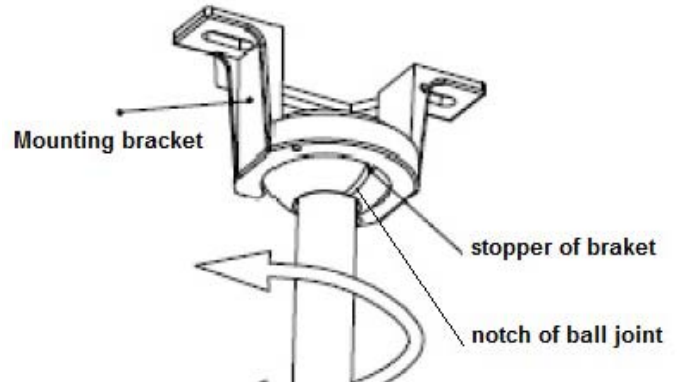


Fig. 5

# PREPARE AND COMPLETE THE ELECTRICAL WIRING --- WIRING DIAGRAM

## (FIG. 6)

**WARNING!** FOR YOUR SAFETY ALL ELECTRICAL CONNECTIONS MUST BE UNDERTAKEN BY A LICENSED ELECTRICIAN.

**NOTE:** AN ADDITIONAL ALL POLE DISCONNECTION SWITCH MUST BE INCLUDED IN THE FIXED WIRING.

**NOTE:** IF THERE IS TWO OR MORE DC CEILING FAN INSTALLED IN THE ONE LOCATION, AN ISOLATION SWITCH IS REQUIRED FOR EACH CEILING FAN. THIS IS REQUIRED WHEN PROGRAMMING THE REMOTE AND RECEIVER TO PAIR TOGETHER.

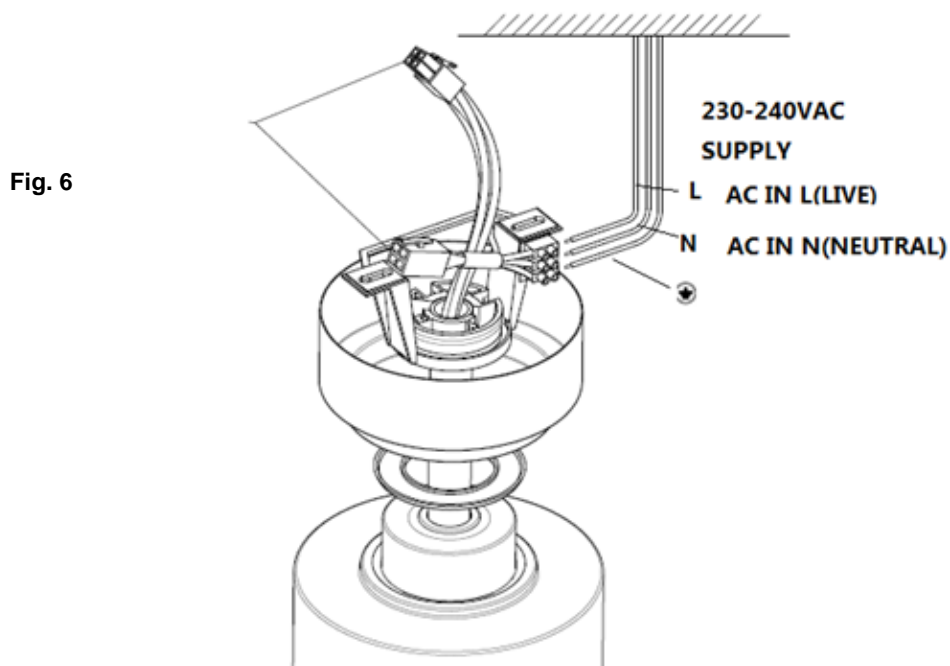


Fig. 6

## INSTALL CANOPY COVER

- Loosen 2 screws from the bottom of the mounting bracket.
- Slide the canopy up to the mounting bracket and place the key hole on the canopy over the screw on the mounting bracket, turn canopy until it locks in place at the narrow section of the key holes, secure it by tightening the two set screws. Avoid damaging the electrical wiring prepared previously.
- Finally attach the canopy cover to canopy and secure it by pushing the lugs into the holes.

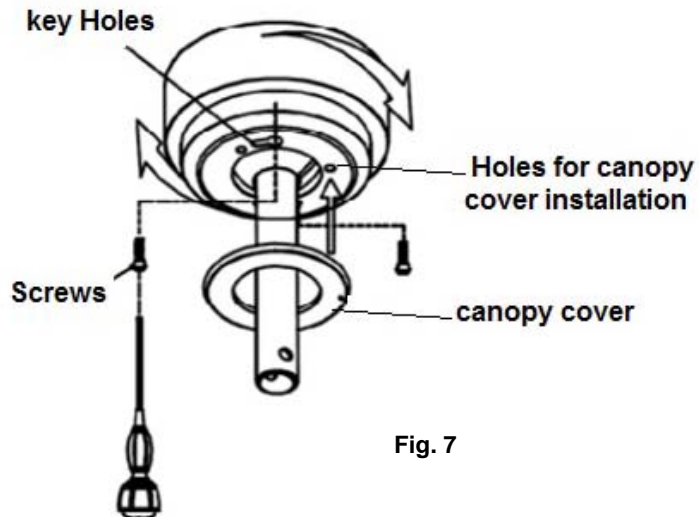


Fig. 7

## BLADE INSTALLATION

- Insert the blade screws through blade assembly consist of the following order, bracket kit, blade, and fiber. Attach the blade assembly to motor and secure it by tightening the 2 screws. Fig. 11
- Repeat to install the other blades.
- Finally install the bottom cover to shaft of motor by rotating it clockwise.

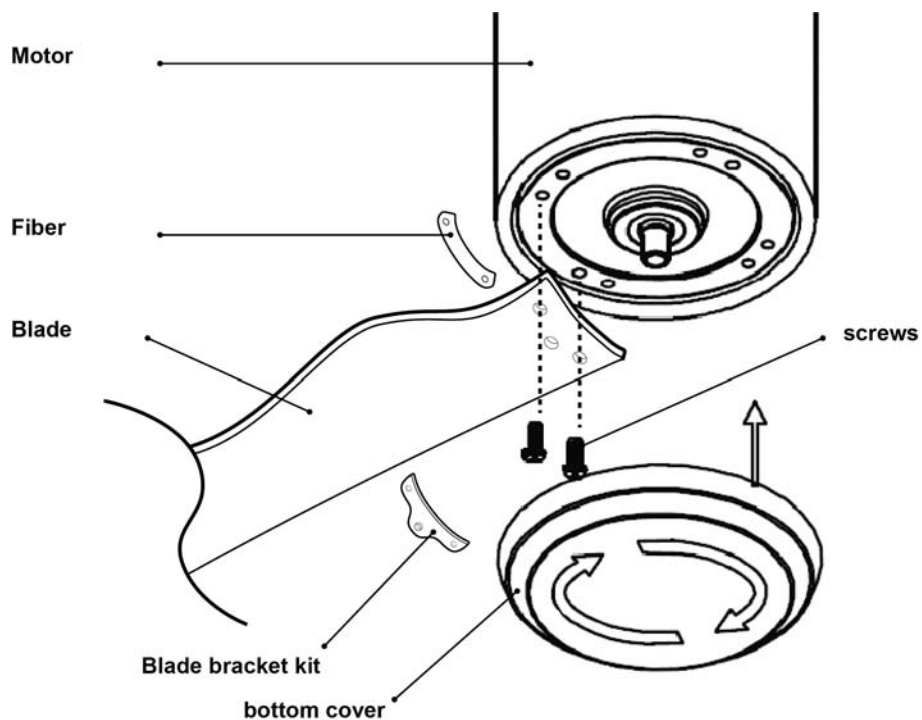


Fig. 8

## LIGHT KIT Installation (Light kit - optional)

Note: Light kit must be installed by a Licensed Electrician.

NOTE: The light kit is available for selected ceiling fan models and as an optional light kit.

1. Remove the bottom cover from shaft.
2. Remove the shrinkable tube from light wires connector.
3. For light kit installation, please refer to light kit installation user guide.

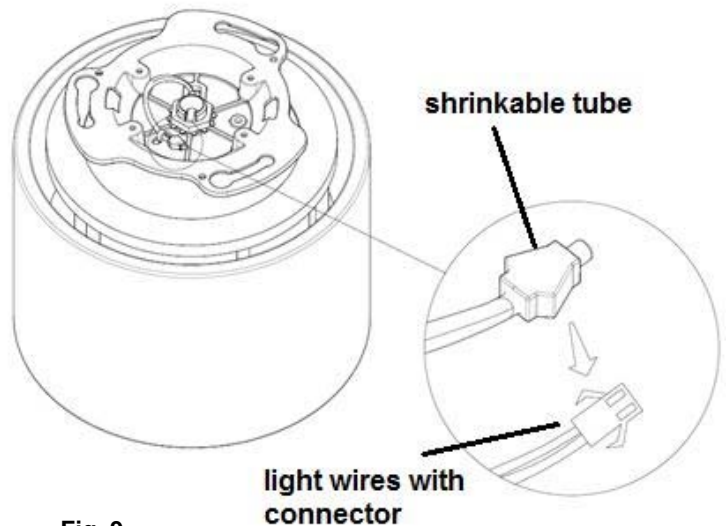


Fig. 9

## USING YOUR CEILING FAN WITH REMOTE CONTROL

### Pairing Transmitter and Receiver – when 2 or more DC ceiling are installed in one location

When two or more fans are located near each other, you may desire to have the receiver/transmitter for each fan set to a different code, so that the operation of one fan does not affect the operation of the other fans.

The DIP switches for the transmitter (remote hand piece) are located in the battery compartment of the transmitter. Configuring the DIP switches will allow a unique transmission code assigned to each fan ceiling.

NOTE: Ensure that you have installed an all - poles disconnection switch in the fixed wiring for each fan, when using DIP code function.

NOTE: Ensure power to the Receiver is **ON** prior to pairing the transmitter with the receiver.

#### **Transmitter/Receiver pairing for ceiling fan 1:**

- Turn off both ceiling fans 1 and 2 via the mains supply to the receiver.
- Slide the cover of battery compartment of transmitter to access the DIP switches. This will be transmitter 1.
- Change the position of the DIP switches in the remote transmitter 1, so that it will be different to transmitter 2. Fig.13
- Install the 12VDC battery in the compartment. Please make sure the polarity of battery is correct.
- Turn on the power to receiver 1. Keep the power OFF to receiver 2. (Each ceiling fan must have its own isolation switch, so that only the Ceiling fan that needs to be paired with the transmitter will be ON).
- Press and hold the SET button of **transmitter 1** for 6 seconds within 60 seconds of switching the power to the receiver of Ceiling Fan 1.
- Now the transmitter should be paired with the receiver of ceiling fan 1. Turn ON/OFF or change the speed of ceiling fan 1 by the transmitter to check the operation.



## Setting DC Ceiling fan 2:

- Turn off both ceiling fans 1 and 2 via the mains supply to the receiver.
- Slide the cover of battery compartment of transmitter to access the DIP switches. This will be transmitter 2.
- Change the position of the DIP switches in the remote transmitter 2, so that it will be different to transmitter 1. Fig.12
- Install the 12VDC battery in the compartment. Please make sure the polarity of the battery is correct.
- Turn on the power to receiver 2. Keep the power OFF to receiver 1. (Each ceiling fan must have its own isolation switch, so that only the Ceiling fan that needs to be paired with the transmitter will be ON).
- Press and hold the SET button of **transmitter 2** for 6 seconds within 60 seconds of switching the power to the receiver of Ceiling Fan 2.
- Now the transmitter should be paired with the receiver of ceiling fan 2. Turn ON/OFF or change the speed of the ceiling fan 2 by the transmitter to check operation.

**Note: The pairing of Transmitter and Receiver is not required if only one Ceiling fan is installed. When more than two ceiling fans are installed near each other, please refer to the instruction above.**

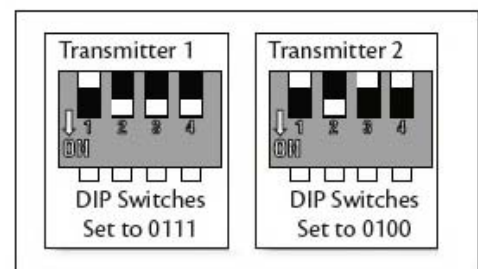
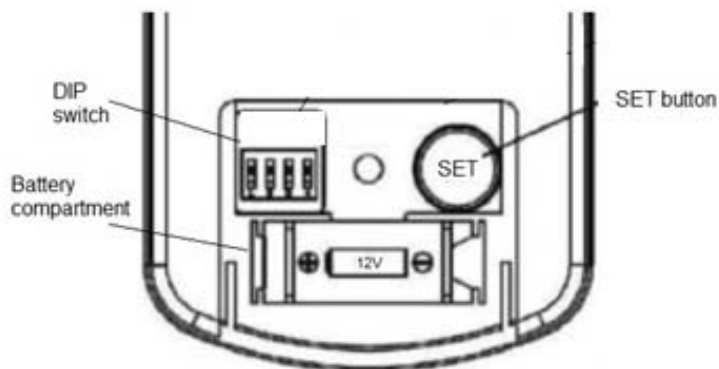


Fig. 10

## Remote Control Buttons

① - FAN SPEED CONTROL BUTTON:

There are 6 available speeds. ① button is for the lowest speed, and ⑥ button is for the fastest speed.

NOTE: WHEN YOU TURN ON THE FAN THE FIRST TIME OR SWITCH THE MAIN POWER TO THE CONTROLLER, YOU NEED START THE FAN ON HIGH “⑥” SPEED FIRST, AND THEN CHOOSE A LOWER SPEED. A 5-10 SECONDS IS REQUIRED TO ALLOW THE DC FAN TO RESPOND TO THE REMOTE EACH SPEED OR FAN DIRECTION SELECTIONS, AS DC FAN INCORPORATE A SENSOR CONTROL WHICH CONTROLS THE POWER TO THE MOTOR.

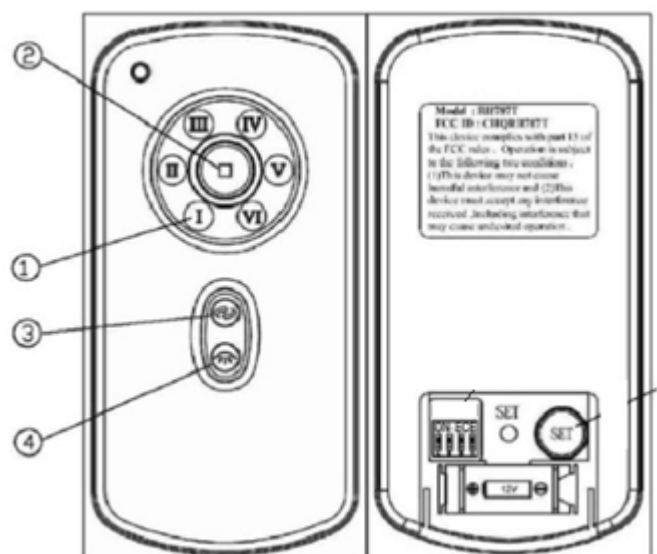


Fig. 11

②- FAN OFF BUTTON:

Press the button to turn the fan off

③- REVERSE FUNCTION BUTTON:

Press the button to active reverse running function. The fan must be operating to activate the reverse function.

④- LIGHT CONTROL BUTTON:

Press the button to turn on/off the light.

THE RECEIVER PROVIDES THE FOLLOWING LEVEL OF PROTECTIONS AGAINST.

- Lock position: the receiver has a built in safety feature to protect against obstruction during operation. The motor will be locked from operation and will disconnect from power after 30 seconds of interruption. Please remove obstacles before re-starting. To reset, simply turn off the power supply to the fan motor and re-start.
- Over 80W protection: when the receiver detects power consumption which is greater than 80W, the receiver power will be stopped and operation will immediately discontinue. Turn the receiver power on after 5 seconds to restart the fan.

## REPAIRING THE FAN RECEIVER & REMOTE PAIRING

Should the remote and receiver lose control after installation or during use, the pairing of the remote and the receiver must be repaired. Below are the operating symptoms and method to repair the pairing of the DC ceiling fan remote and receiver

**Issues:**

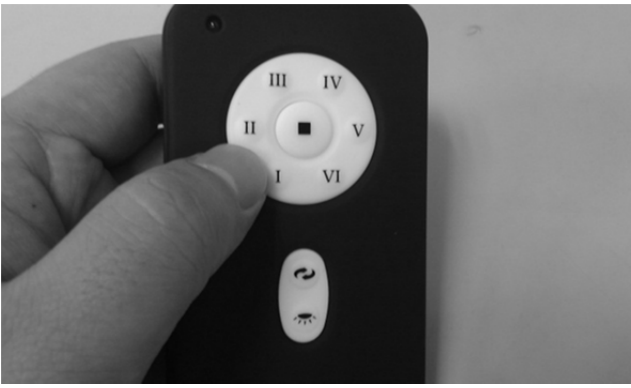
- Loss of control - Fan only running at high speed after installation
- Loss of control - No reverse function after installation
- Loss of control - remote cannot communicate with receiver

**Solution:**

If the fan runs at the highest speed continuously, it means the wiring of the installation is correct. When the fan operated on high speed only, or fails to operate in reverse function or any other command/s, it is recommended to repair the communication pairing of the remote and receiver. Please follow the steps below:

- A. Remove the battery cover of remote, check the 434 MHz sticker area, make sure the battery is installed correctly and the red LED light indicator will be flashing, it means the remote function is okay.





- B. Turn off the main supply to receiver more than 30 seconds and turn on the main supply to receiver again. Press and hold the SET button of **remote** for 6 seconds within 60 seconds of turning turn the power to the receiver.



- C. Press the buttons on the remote to run the fan. In general, performing point A, B, and C should repair the remote and receiver, and will allow full control of the fan. If not, please kindly do the next step.
- D. The DIP switches of fans are set up at the factory in all up. And we can change DIP switch at any location in 16 options. (Ex. up-up-down-down).



- E. Please repeat the (A)~(C) steps to check the function.

If the issues still persist after following point (A) to (D), and there is still no control, then please contact the local retailer for a new remote or transmitter.

**Note:** For your safety, new receiver must be installed by a licensed electrician.

**Note:** While repairing the DC ceiling fan remote and receiver is in process, the fan operates at highest speed with REVERSE mode automatically for 90 seconds, and then operates with FORWARD mode for 90 seconds. During the paring process, do not press any key on the remote.

## BALANCING / WOBBLING TROUBLE SHOOTING

Please note that all ceiling fans are not the same, even in the same model—some may move more or less than others. Movement of a couple of centimetres is quite acceptable and does not suggest the fan will fall down.

Even though all blades are weighted and grouped by weight, it is impossible to eliminate wobble altogether. This should not be considered a fault. Ceiling fans tend to move during operation due to the fact that they are not generally rigidly mounted

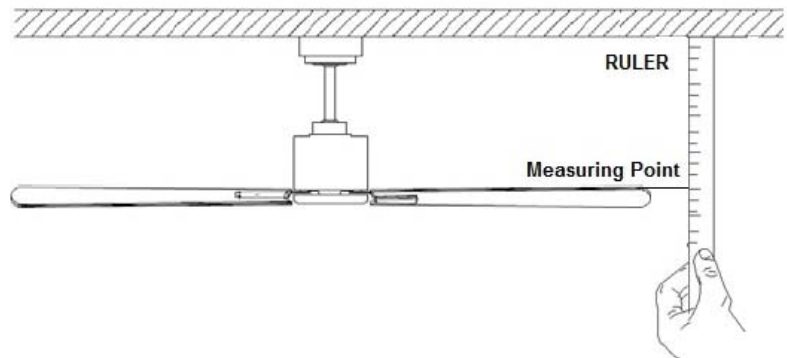
You may do the following action to reduce the wobbling

- 1) Check all the blade mounting screws are tightened and securely.
- 2) Wobbling problems may result from inconsistent blade level. To check blade level, measure the distance from each blade tip to the ceiling.

**Note:** If measurements are inconsistent:

- check blade mount screws are not over tightened or loose, which can cause the blade tip to not all sit level;
- An out of shape blade can cause wobbling, check by removing the blade and lay in on a flat surface. A good flat blade will lay flat on the surface.

- 3) Blade tracking may be checked simply by use of a household ruler as shown in below Figure. Place the ruler vertically against the ceiling and even with the outside leading edge of a blade. Note the distance of the edge of a blade same as others. Turn the blade slowly by hand to check the remaining blades. If a blade is not in alignment, the blade is either out of shape / warped or the blade screws are not evenly tighten or either loose.



**Fig. 12**

### **BALANCING KIT**

1. A Balancing Kit is provided to balance the ceiling fan on initial installation. Please refer to the instruction on how to use the Balancing Kit, that is included
2. The balancing kit can be used to assist re-balancing if the ceiling fan becomes un-balanced overtime. Do not discard the balancing kit. Retain for possible future use.

## FAN CARE AND WARRANTY INFORMATION

### **CARE & CLEANING**

- Periodic cleaning of your ceiling fan is the only maintenance required. Use a soft brush or lint free cloth to avoid scratching the paint/plated finish. Please make sure the fan is not operating when cleaning.
- Do not use water when cleaning your ceiling fan. It could damage the motor or the blades and create the possibility of an electrical shock.

## **WARRANTY SERVICE**

The manufacturer warranty covers actual faults that may develop, but NOT minor complaints, e.g. noise from motor run—ALL ELECTRIC MOTORS ARE AUDIBLE TO SOME EXTENT.

**AUSTRALIAN/NEW ZEALAND CUSTOMER – Please refer to the separated WARRANTY STATEMENT.**

**EUROPEAN CUSTOMER – Please contact the retail outlet where the fan was purchase for warranty service.**

## **WOBBLE**

- Ceiling fan tend to move during operation due to the fact that they are not generally rigidly mounted—if they were, they could generate excessive ceiling vibration and stress on their Mountings.
- Movement of a couple of centimetres is quite acceptable and does not suggest the fan will fall down.
- Ceiling fans are mounted very securely on steel brackets with rubber cushioning or with ball-joints to allow free movement.
- Please note that all ceiling fans are not the same, even in the same model—some may move more or less than others.

## **NORMAL WEAR AND TEAR**

Threaded components working slightly loose or blade carriers even slightly bent due to vigorous cleaning or bumping can cause extra wobble and noise. THIS IS NOT COVERED UNDER WARRANTY- but a little care and maintenance can reduce or prevent this problem.

## **BUMP-IN-THE NIGHT**

This is outside the manufacturer's warranty. If a fan has a fault, it will be noticeable at all times. Naturally, when everything is quiet at night, you will be more inclined to hear small noises, which may not be noticeable at other times. Even slight power fluctuations and mains frequency signals superimposed in your electricity supply may cause a change in fan motor noise, this is normal.

## **FAN LIGHT**

Except for actual fault in manufacture, which are extremely rare. FAN LIGHTS AND GLOBES ARE NOT COVERED UNDER YOUR FAN WARRANTY. Noises and vibration etc. are often more accentuated when a fan light is fitted. For instance a fan light glass that has not been tightened or worked loose can cause a rattle. Again, care and maintenance will reduce this.

## TROUBLE-SHOOTING CHECKLIST

Always check the “Trouble Shooting Checklist” included in this booklet before calling for service. Unnecessary calls are inconvenient for all and can attract a service charge.

**For your safety, ensure the ceiling fan is OFF before carrying out any troubleshooting.**

TROUBLE	PROBABLE CAUSES	SUGGESTED REMEDY
1. Fan will not start (Warning: THE ceiling must be switched OFF, and the assistance of a licensed electrician maybe required.)	A. Fuse or circuit breaker blown.	Check main and branch circuit fuses or circuit breakers.
	B. Loose power connections to the fan. (normally occur during installation.	Check power connections to fan. Must be performed by a Licensed Electrician.
	C. No response from the remote transmitter	- Battery is low. Replace batteries. - Check if correct remote transmitter is paired with the receiver.
	D. Switch the Fan ON via the mains switch.	Check if there is power to the fan.
2. Fan Wobbles (Refer to Wobble section of the manual for further information.)	A. Fan blades are not horizontal to ceiling.	Refer to “wobbling fixing” section of manual. - The blade may require adjustment at the blade mounting screws; - The blade is out of shape, thus causing wobbling. New blades set will require to be replaced. Contact retailer for further details.
	B. Blade screws are loose.	Make sure all screws are securely fastened.
	C. Blade/s are out of shape	Remove blade and lay on a flat surface to check if blades are out-of-shape. Contact retailer for further details.
3. Fan sound noisy	A. Top canopy touching ceiling.	Lower Canopy from ceiling to ensure minimum 3 mm clearance.
	B. Loose fan blade screws.	Re-tighten all screws on fan blades but never over-tighten.
	C. Ceiling fan not secured against ceiling.	Re-tighten all screws in the hanging bracket or plate.
	D. Incorrect speed controller.	Change the controller to the one supplied. (Must be performed by a Licensed Electrician.)
4. Mechanical Noise	A. Allow at least for 8 hours settling-in period.	
5. Light will not turn ON (Optional light kit ONLY)	The globe/lamp has failed.	Replace globe/lamp

**WARNING: THE CEILING FAN MUST BE SWITCHED OFF, BEFORE TROUBLE SHOOTING IS PERFORMED.**

## NOTES TO INSTALLERS

- All electric motors, including fans make some noise and may feel hot if touched—this is not a fault.
  - Some fan wobble more than other—even in the same model.
  - Fan lights can rattle, but are not covered under warranty
  - Fan wall controller make slight buzz and get warm especially on lower setting
- These occurrences are not covered by the manufacturer’s warranty.

## TECHNICAL INFORMATION

AIRFUSION CLIMATE SERIES DC FAN models	Rated Voltage	Rated power (motor)	Battery for remote
LD52BN,LD52WH LD52CC,LD52AB	220-240VAC	35W	1 x 12V 23AE

## WARRANTY CONDITIONS

**IN AUSTRALIA / NEW ZEALAND CUSTOMER** – Please refer to the separated WARRANTY STATEMENT.

**IN EUROPE** – If you are a European Customer Please contact the retail outlet where the fan was purchase for warranty service.

This product is guaranteed against electrical defects in material or manufacturing workmanship for faults when under normal domestic/residential conditions for a certain period of time from the date of purchase. This warranty covers parts and labour costs for the motor subject to the following conditions:

1. Installation being performed by a qualified licensed Electrician.  
This warranty will not apply if the ceiling fan is installed by anyone other than a licensed electrician. Problems arising from incorrect installation are not covered by warranty. The cost of repairs and/or service call where the defect is due to the installation and not due to faulty material or workmanship, in accordance with wholesaler and their authorized agent, will be payable at time of repair.
2. The correct controller being fitted to the fan.  
Only use the controller supplied with the fan or a genuine replacement. Using solid-state dimmer type or non-genuine controllers will void the warranty. Use of non-genuine controllers may cause the fan to operate with a loud hum and at altered speeds. Where controllers are supplied complete with light switch – do not use this switch to operate the fan. Fans connected using this switch to turn the fan on/off, will not be covered by warranty.
3. Repair work being carried out by licensed electrician only after authorization by wholesaler or their authorized agent to complete the repair and is subject to the supply of dated proof of purchase and installing electricians details.
4. The exclusion from warranty of any changes to ceiling fan blade or motor, plated and/or painted finishes due to climatic conditions (moisture, salt air etc) or after 6 months from the date of purchase or other circumstances deemed to be beyond the control of wholesaler or their authorized agents.
5. The warranty service does not cover:
  - a. Transportation and in-transit insurance costs, if the product or parts thereof have to be returned for repair or replacement to the retailer or their authorized agent.
  - b. Repair of defects caused by accident, fire, misuse, alterations modification, negligence, incorrect or incomplete installation/operation, any unauthorized person attempting to repair the ceiling fan, or acts of God.
  - c. Claims or damage to furniture, carpet, wall, ceilings or any other consequential loss either direct or indirectly resulting from a faulty ceiling fan.
6. Except in the case of pre-packed integrated light models, light fittings attached to the fan are not covered by this warranty. Where the fan is pre-packed complete with a light, the light fitting will be covered by warranty to electrical defect. Tarnishing caused by climatic conditions and breakage of glass is not covered by warranty. Globes/lamps are also not covered by warranty. All light fittings attached to the fan must be

installed by a qualified licensed Electrician ensuring such attachments are complete and do not affect the fan's performance. Light fittings will often accentuate noises and vibrations, which can be traced to loose glass or fittings and are not covered by warranty. Broken glass as supplied in the pre-packed light complete models is not considered an item requiring a warranty service call. Notification within 48 hours of installation is required where glasses have found to be broken on unpacking.

7. The warranty applies to actual faults which may develop. Minor running noises are not covered. All electrical motors have some audible noise. Allow at least eight hours of operation to allow the bearings to properly seat. The fan, especially when set on low, may feel warm to touch – this is not a fault. If excessive heat is generated a service call may be required. Fan noises can vary due to slight power fluctuations and mains frequency signals for off – peak-controlled appliances. These changes are most noticeable in the quiet of night, mains frequency signals which come across as an intermittent hum (mostly at night) are out of control of the manufacturer in these cases your electricity provider should be contacted, or an electrician to fit a suitable noise filter.
8. Threaded components such as blade nuts can work slightly loose during normal operation. These should be tightened regularly to ensure the fan doesn't develop operation noises. If noises do develop, check this aspect before requesting service. This is not covered by warranty.
9. Minor variation of speed may be evident between different fans, even in the same model and is not a product fault and not covered by warranty.
10. Blades are not covered by warranty against defect in material. The replacement of the blades is not covered by the in home warranty service call, Notification within 48 hours of installation is required where blades have found to be broken on unpacking, contact the retailer or their authorized agent who will send you a new set of blades. Each blade set is balanced so it is important to replace all blades. Blades affected by climatic conditions and by maintenance are not covered by this warranty.

This warranty applies only to Australian states and its mainland territories and New Zealand. The benefits of this warranty are in addition to any rights offered under state or territory law.

For a warranty service, contact the warranty hotline number in this booklet and advise: the model number and style, the nature of the fault, date and place of purchase. Service cannot be arranged without this information.

Please also note the following, prior to requesting service, please consult the Trouble-shooting checklist that is printed in the manual

- All electric motors, including fans, make some noise and may feel hot to touch – this is not a fault.
- Some fans wobble more than others – even the same model.
- Blades are weighed to be within tolerance to minimize wobbling. In multiple installations do not mix blades from fans.
- Fanlights can rattle and are not covered by warranty.
- Finish to the fan, including blades and light complete models, are covered by 2 Years warranty.
- Blade and glass replacements are not covered by in home servicing.





## WIR GRATULIEREN ZUM KAUF DIESES GERÄTES

Herzlichen Glückwunsch zum Kauf dieses mit der neuesten Stromspartechnologie ausgerüsteten Ventilators. Dieser Ventilator wird mit DC Gleichstrom (Direct Current) betrieben, wodurch das Gerät extrem viel Strom spart, aber dennoch eine hohe Ventilator-Effizienz und ein leiser Betrieb des Gerätes erzielt werden.


Energiesparend – Der DC Gleichstrommotor repräsentiert die neueste Technologie im Ventilatordesign. Der Motor ist hoch-effizient und spart bis zu 65% Energie im Vergleich mit Ventilatoren, die mit traditionellen AC-Motoren ausgestattet sind.

Geräuscharmer Betrieb – Der DC Gleichstrommotor dieses Ventilators arbeitet mit stabilisiertem Gleichstrom, wodurch der Geräuschpegel des Motors sehr effektiv reduziert wird.

Niedrige Betriebstemperatur – DC-Strom kann sehr effizient reguliert werden, wodurch sich die Betriebstemperatur des Motors auf unter 50 Grad reduziert. Da durch den Gleichstrombetrieb eine niedrigere Betriebstemperatur erzielt wird, verlängert sich die Lebensdauer des Motors im Vergleich zu standardmäßigen AC Wechselstrommotoren.

Herkömmliche AC Deckenventilatoren mit 6-stufigen Steuerungen bieten dennoch nur 3 Geschwindigkeitsstufen an; dieser DC-Deckenventilator kann effektiv 6 Geschwindigkeitsstufen regulieren und bietet somit eine größere Auswahl an Geschwindigkeitseinstellungen an.

### SICHERHEITSHINWEISE

- 1) Dieses Gerät ist NICHT für den Gebrauch durch Personen (einschließlich Kindern) mit körperlichen, sensorischen oder geistigen Behinderungen geschaffen, oder durch Personen, die keine Erfahrung im Umgang mit dem Gerät haben, oder mit dem Gerät nicht vertraut sind, vorausgesetzt diese wurden zuvor ausreichend über den Betrieb des Gerätes durch die, für deren Sicherheit zuständige Personen unterwiesen.
  - 2) Kinder müssen beim Betrieb dieses Gerätes beaufsichtigt werden, so dass diese nicht mit dem Gerät spielen.
  - 3) Eine allpolige Stromtrennung für alle Anschlussleitungen muss in der Kabelinstallation gemäß den Installationsanweisungen integriert werden.
  - 4) Entsorgen Sie elektrische Geräte niemals im Hausmüll, sondern geben Sie diese an den dafür vorgesehenen Sammelstellen ab. Treten Sie mit Ihrer örtlichen Verwaltung für Hinweise zur ordnungsgemäßen Entsorgung dieses Gerätes in Kontakt. Wenn elektrische Geräte in Aufschüttungen oder Müllhalden entsorgt werden, können gefährliche Substanzen in das Grundwasser ausgespült werden und so in die Nahrungskette gelangen, wodurch Gesundheitsschäden und andere Störungen des Wohlbefindens verursacht werden können.
- 
- 5) Die Halterung, an der dieser Ventilator befestigt werden soll, muss für eine Mindestlast von 30kg ausgelegt sein.
  - 6) In Europa sollte der Ventilator so an der Decke befestigt werden, dass sich die Ventilatorflügel mindestens **2,3m** über dem Boden befinden.
  - 7) In Australien sollte der Ventilator so an der Decke befestigt werden, dass sich die Ventilatorflügel mindestens **2,1m** über dem Boden befinden.
  - 8) Dieser Ventilator ist nur für den Einsatz in geschlossenen Räumen geschaffen. Durch die Installation an Orten, wo der Ventilator Wasser oder Feuchtigkeit ausgesetzt würde, setzen Sie sich möglichen Personenverletzungen oder anderen Gefahren aus.
  - 9) Die Installation des Gerätes sollte nur von einem qualifizierten Elektriker ausgeführt werden.

## VOR DER INSTALLATION

Packen Sie Ihren Ventilator aus, und überprüfen Sie den Packungsinhalt. In der Verkaufspackung sollten sich die folgenden Komponenten befinden:

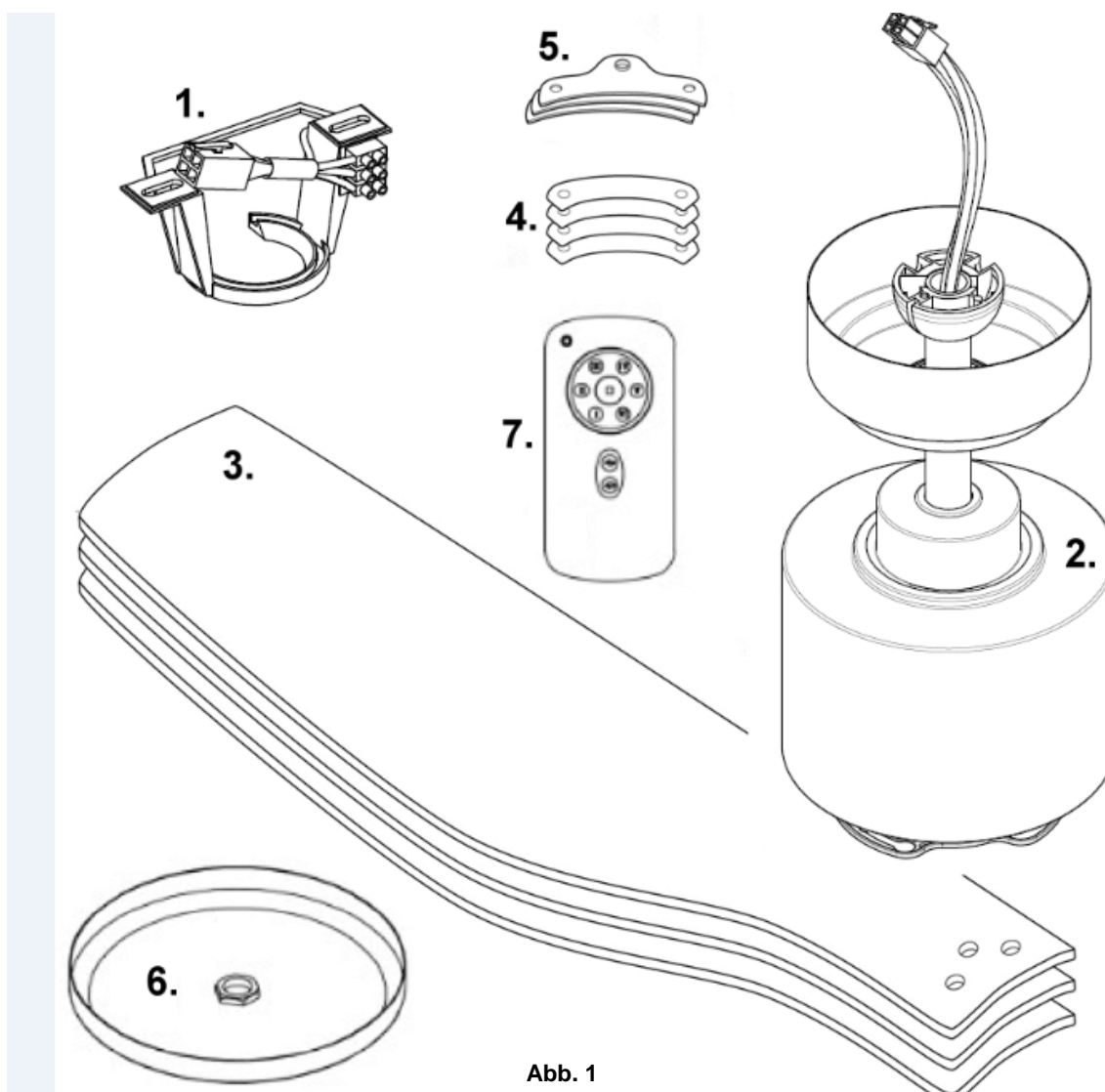


Abb. 1

- |   |                                                                                              |    |                                                                   |
|---|----------------------------------------------------------------------------------------------|----|-------------------------------------------------------------------|
| 1 | Halterung x 1                                                                                | 7  | Fernbedienung mit Wandhalterung x 1 set                           |
| 2 | Ventilator-Einheit mit Abdeckung für Aufhängung, Haltestange, Schirmabdeckung und Schirm x 1 | 8  | Zusätzliche Motorschrauben x 1 (nicht dargestellt)                |
| 3 | Ventilatorflügel x 3                                                                         | 9  | Holzschrauben x 2 (nicht dargestellt)                             |
| 4 | Ventilatorflügel-Einlagen x 3                                                                | 10 | Balanciergewichte x 1 set (nicht dargestellt)                     |
| 5 | Ventilatorflügel-Halterungssatz x 3                                                          | 11 | Schrauben für Halterung der Fernbedienung x 2 (nicht dargestellt) |
| 6 | Untere Abdeckung x 1                                                                         | 12 | 12V Batterie für Fernbedienung x 1 (nicht dargestellt)            |

# BENÖTIGTE WERKZEUGE

## BENÖTIGTE WERKZEUGE:

- Phillips-/Schlitzschraubenzieher
- Zange
- Verstellbarer Schraubenschlüssel
- Stehleiter
- Kabelzange
- Kabel, Zuleitungskabel gemäß den örtlichen, nationalen und regionalen Vorschriften mit entsprechender Kodierung.

## INSTALLATION DER HALTERUNG

Der Deckenventilator muss an einem Ort installiert werden, wo die Flügelspitzen mindestens einen Abstand von 30cm zum nächsten Gegenstand oder der Wand haben.

Befestigen Sie die Halterung an einem sicheren Deckenträger oder einer strukturell äquivalenten Stelle, die ein Gewicht von mindestens 30KG tragen kann, und verwenden Sie dazu die zwei mitgelieferten Schrauben. Stellen Sie sicher, dass die Schraubengewinde mindestens 30mm in den Untergrund eingedreht werden.

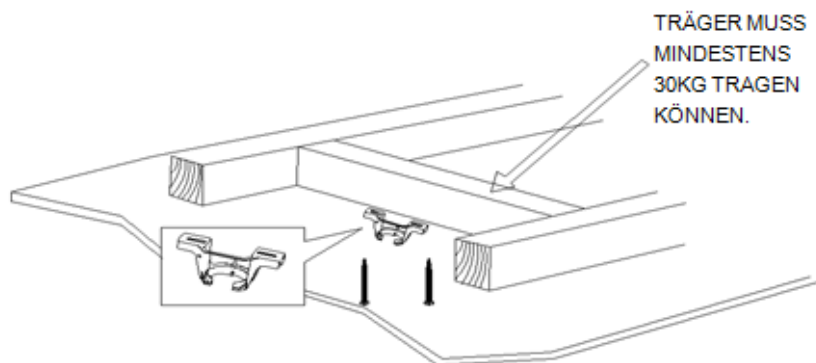


Abb. 2

HINWEIS: DIE ABBILDUNG DIENT NUR ZUR ILLUSTRATION UND STELLT NICHT DIE TATSÄCHLICHE HALTERUNG DAR.

**HINWEIS:** Die für die Halterung mitgelieferten Schrauben sind nur für den Einsatz mit Holzstrukturen geeignet. Für andere Materialien **MÜSSEN** entsprechend geeignete Schraubentypen verwendet werden.

### Installation an geneigten Decken

Dieses Ventilatorhalterungssystem ist nur für die Installation an Decken mit einer Neigung von maximal 20 Grad geeignet.

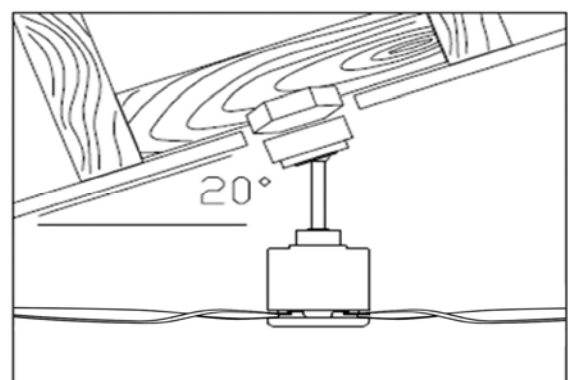


Abb. 3

# ANHÄNGEN DES VENTILATOR-MOTORGEHÄUSES

## Installation der Hängestange

- Heben Sie das Ventilatorgehäuse mit Hängestange an und hängen Sie diese in die Halterung ein. Abb.4
- Stellen Sie sicher, dass die Nut der Kugelgelenkverbindung mit dem Anschlag der Halterung in Kontakt ist, um den Ventilator daran zu hindern sich zu verdrehen. Abb. 5

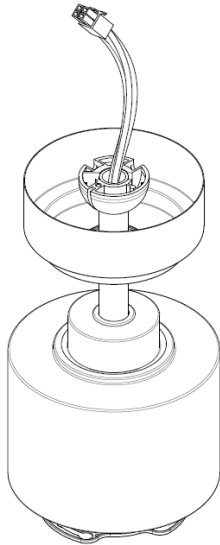


Abb. 4

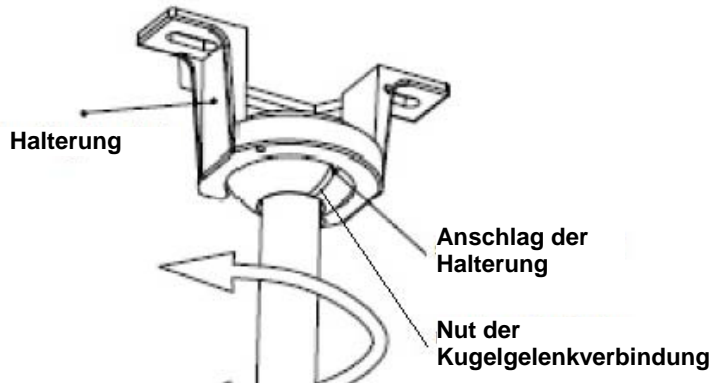


Abb. 5

## VORBEREITUNG UND DURCHFÜHRUNG DER VOLLSTÄNDIGEN ELEKTRISCHEN INSTALLATIONSARBEITEN VERSCHALTUNGSDIAGRAMM (ABB. 6)

**WARUNG!** UM IHRE PERSÖNLICHE SICHERHEIT ZU GEWÄHRLEISTEN, MÜSSEN ALLE ELEKTRISCHEN ANSCHLÜSSE VON EINEM QUALIFIZIERTEN UND ZUGELASSENEN ELEKTRIKER AUSGEFÜHRT WERDEN.

**HINWEIS:** EIN ZUSÄTZLICHER TRENNSCHALTER, DER ALLE ANSCHLUSSPOLE TRENNT, MUSS IN DIE STATIONIONÄRE VERKABELUNG INTEGRIERT WERDEN.

**HINWEIS:** FALLS ZWEI ODER MEHR DC DECKENVENTILATOREN AN EINEM ORT INSTALLIERT SIND; MUSS EIN ALLPOLIGER TRENNSCHALTER FÜR JEDEN DC-VENTILATOR INSTALLIERT WERDEN. DIESE SIND NÖTIG, SO DASS DIE BEIDEN FERNBEDIENUNGEN UND EMPFÄNGER SO PROGRAMMIERT WERDEN KÖNNEN, DASS DIESE KORREKT ZUSAMMENARBEITEN.

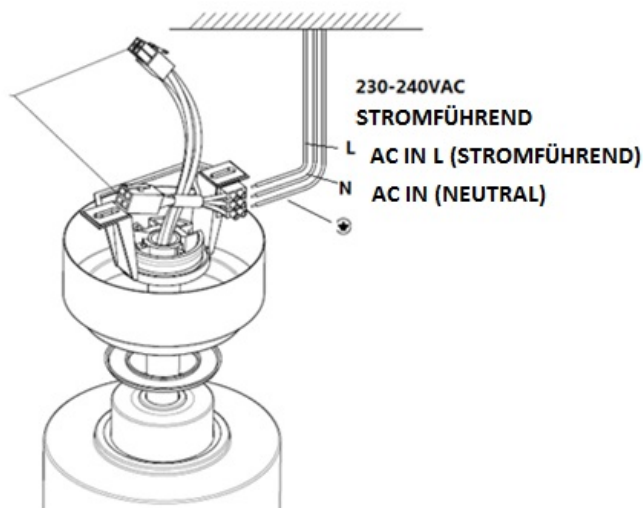
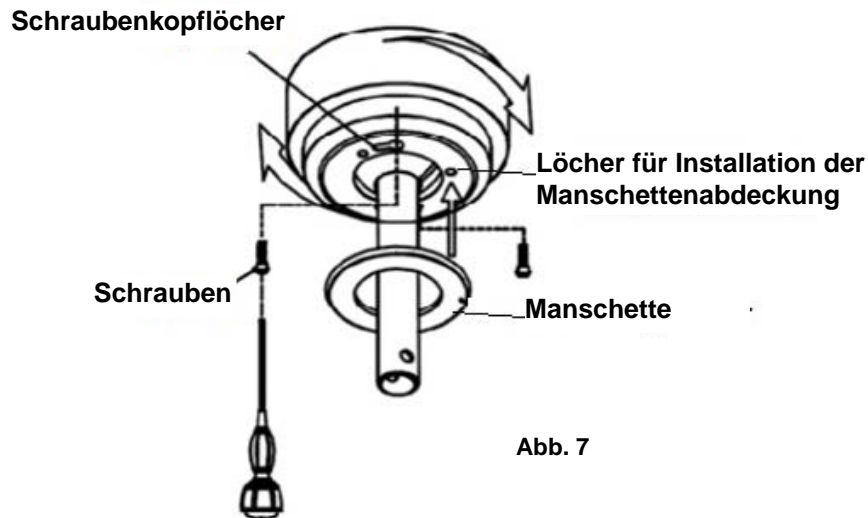


Abb. 6

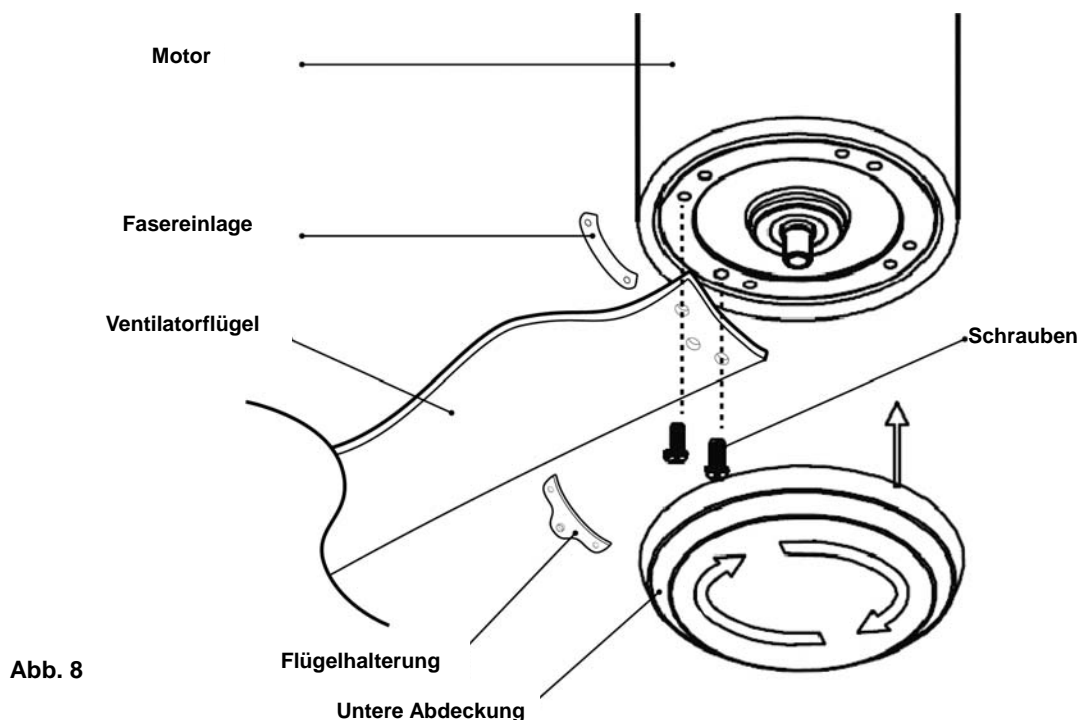
## INSTALLATION DER MANSCHETTE UND ABDECKUNG

- Lösen Sie die Schrauben an der Unterseite der Deckenhalterung.
- Schieben Sie die Manschette über die Deckenhalterung, platzieren Sie die Schraubenlöcher über den Schrauben in der Deckenhalterung, und drehen Sie die Manschette bis die Schrauben in den schmalen Abschnitten der Schraubenlöcher sitzen. Sichern Sie die Manschette nun, indem Sie die zwei Schrauben fest anziehen. Vermeiden Sie es die zuvor ausgeführten, elektrischen Anschlüsse zu beschädigen.
- Befestigen Sie abschließend die Manschettenabdeckung an der Manschette und sichern Sie diese, indem Sie die zwei Stifte in die Löcher drücken.



## INSTALLATION DER VENTILATORFLÜGEL

- Führen Sie die Schrauben für die Flügel durch die Löcher der Halterung, des Flügels und der Fasereinlage in der genannten Reihenfolge. Befestigen Sie die Anordnung am Motorgehäuse und sichern Sie diese mittels der 2 Schrauben, wie in Abb. 11 dargestellt.
- Wiederholen Sie den Vorgang mit den anderen Ventilatorflügeln.
- Installieren Sie abschließend die untere Abdeckung über dem Schaft des Motors, indem Sie die Abdeckung im Uhrzeigersinn drehen.



## LICHTBAUSATZ Installation (Lichtbausatz - optional)

Hinweis: Der Lichtbausatz muss von einem zugelassenen Elektriker installiert werden.

HINWEIS: Der Lichtbausatz ist nur für einige Deckenventilatormodelle als zusätzlicher Lichtbausatz verfügbar.

1. Nehmen Sie die untere Abdeckung vom Schaft ab.
2. Entfernen Sie die Aufschumpfisolierung vom Kabelanschluss.
3. Beachten Sie die Gebrauchsanleitung für die Installation des Lichtbausatzes.

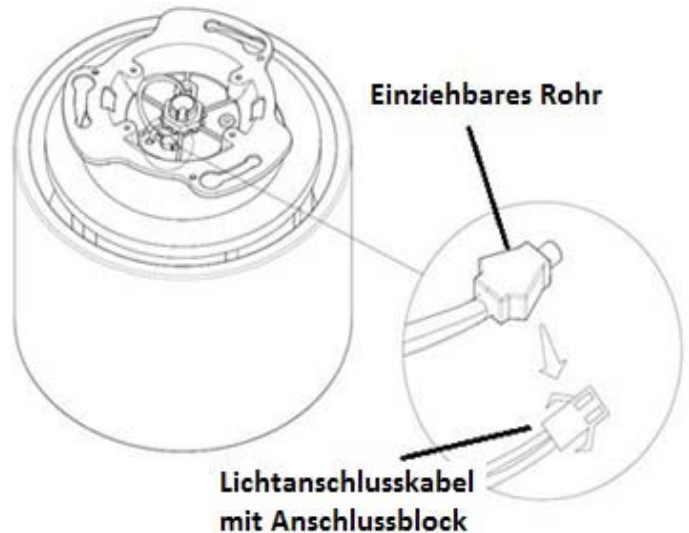


Abb. 9

## EINSATZ DES VENTILATORS MIT DER FERNBEDIENUNG

### Abstimmung von Fernbedienung und Empfänger – wenn zwei oder mehrere DC Deckenventilatoren in einem Raum installiert sind.

Wenn zwei oder mehrere Deckenventilatoren nahe beieinander installiert sind, dann ist es vorteilhaft wenn die jeweils einem Ventilator zugeordneten Fernbedienungen/Empfänger auf jeweils unterschiedliche Ansteuerungskodes eingestellt sind, so dass die Einstellung eines Ventilators die Einstellungen für die anderen Ventilatoren in der Nähe nicht beeinflusst.

Die DIP-Schalter für den Sender (an der Fernbedienung) befinden sich im Batteriefach der Fernbedienung. Durch die Konfigurierung der DIP-Schalter wird den Sendern/Empfängern für die einzelnen Ventilatoren ein jeweils eigener Sendercode zugeordnet.

HINWEIS: Stellen Sie sicher, dass Sie einen allpoligen Trennschalter in der Wandverkabelung für jeden Ventilator installiert haben wenn Sie die DIP-Schalter Codeeinstellungen vornehmen.

HINWEIS: Stellen Sie sicher, dass der Empfänger **EIN**-geschaltet ist, bevor Sie die Codes der Sender und Empfänger aufeinander abstimmen.

#### **Abstimmung von Sender/Empfänger für Deckenventilator 1:**

- Schalten Sie beide Deckenventilatoren 1 und 2 mittels des Schalters für die Netzstromversorgung aus.
- Öffnen Sie die Abdeckung des Batteriefachs für den Sender, um die DIP-Schalter freizulegen. Diese Fernbedienung wird Sender 1.
- Ändern Sie die Einstellungen für die DIP-Schalter in Fernbedienung 1, so dass die Einstellungen von Fernbedienung 2 verschieden sind. Abb. 13
- Legen Sie die DC12V Batterie wieder in das Batteriefach ein. Achten Sie auf die korrekte Ausrichtung der Batterie im Batteriefach.
- Schalten Sie die Stromversorgung zu Empfänger 1 ein. Lassen Sie die Stromversorgung für Empfänger 2 ausgeschaltet. (Für jeden Deckenventilator muss einen eigener, allpoliger Trennschalter installiert sein, so dass nur der Deckenventilator mit dem entsprechenden Sender synchronisiert wird, für den die Stromversorgung „EIN“-geschaltet wird).
- Halten Sie die SET-Taste für **Sender 1** ca. 6 Sekunden innerhalb eines Zeitintervalls von 60 Sekunden nach der Wiederherstellung der Stromversorgung zum Empfänger von Deckenventilator 1 gedrückt.
- Der Sender und der Empfänger für Ventilator 1 sollten nun miteinander synchronisiert sein. Schalten Sie Ventilator 1 AUS/EIN und ändern Sie die Geschwindigkeitseinstellungen, um die korrekte Funktion der Fernbedienung für diesen Ventilator zu testen.

## Einstellung für DC Deckenventilator 2:

- Schalten Sie beide Deckenventilatoren 1 und 2 mittels des Schalters für die Netzstromversorgung aus.
- Öffnen Sie die Abdeckung des Batteriefachs für den Sender, um die DIP-Schalter freizulegen. Diese Fernbedienung wird Sender 2.
- Ändern Sie die Einstellungen für die DIP-Schalter in Fernbedienung 2, so dass die Einstellungen von Fernbedienung 1 verschieden sind. Abb. 12
- Legen Sie die DC12V Batterie wieder in das Batteriefach ein. Achten Sie auf die korrekte Ausrichtung der Batterie im Batteriefach.
- Schalten Sie die Stromversorgung zu Empfänger 2 ein. Lassen Sie die Stromversorgung für Empfänger 1 ausgeschaltet. (Für jeden Deckenventilator muss einen eigener, allpoliger Trennschalter installiert sein, so dass nur der Deckenventilator mit dem entsprechenden Sender synchronisiert wird, für den die Stromversorgung „EIN“-geschaltet wird).
- Halten Sie die SET-Taste für **Sender 2** ca. 6 Sekunden innerhalb eines Zeitintervalls von 60 Sekunden nach der Wiederherstellung der Stromversorgung zum Empfänger von Deckenventilator 1 gedrückt.
- Der Sender und der Empfänger für Ventilator 1 sollten nun miteinander synchronisiert sein. Schalten Sie Ventilator 2 „AUS/EIN“ und ändern Sie die Geschwindigkeitseinstellungen, um die korrekte Funktion der Fernbedienung für diesen Ventilator zu testen.

**Hinweis: Die Synchronisierung von Sender und Empfänger ist nicht nötig, wenn nur ein Deckenventilator installiert ist. Wenn mehr als zwei Deckenventilatoren nahe beieinander installiert sind, dann beachten Sie bitte die obigen Hinweise.**

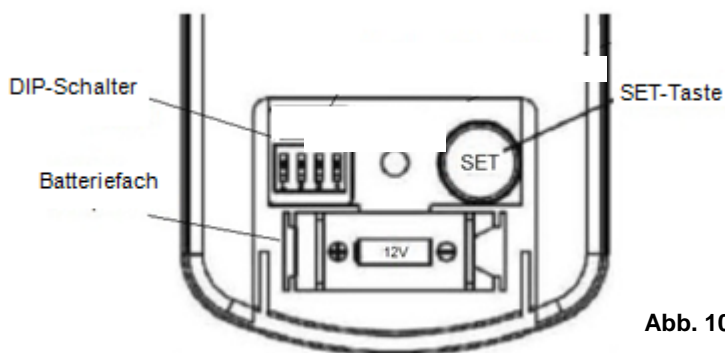
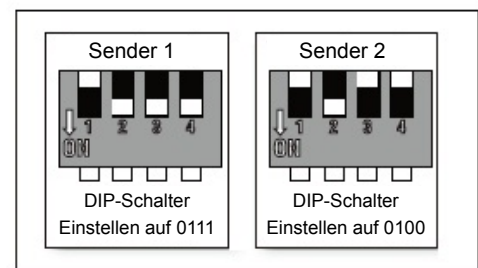


Abb. 10



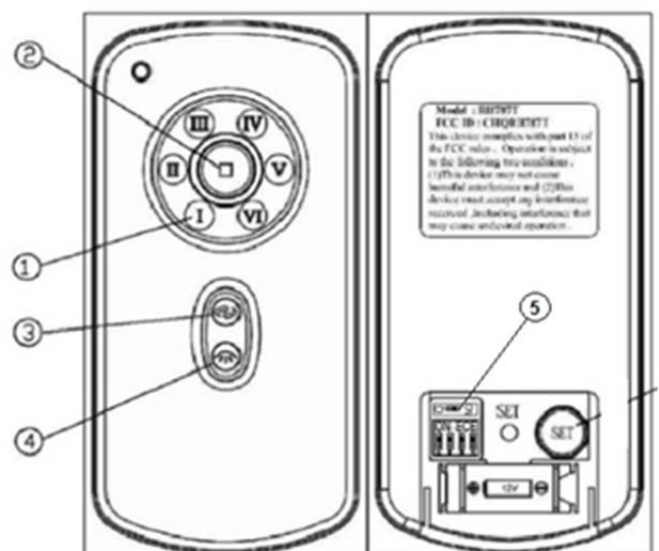
## Funktionstasten der Fernbedienung

### ① - VENTILATOR-GESCHWINDIGKEIT-TASTEN:

Es sind 6 verschiedene Geschwindigkeitseinstellungen vorhanden. Taste ① stellt die niedrigste Geschwindigkeit ein, und Taste ⑥ stellt die höchste Geschwindigkeit ein.

**HINWEIS: WENN SIE DEN VENTILATOR ZUM ERSTEN MAL EINSCHALTEN, ODER DIE STROMVERSORUNG ZUR VENTILATORSTEUERUNG WIEDER EINSCHALTEN; DANN MÜSSEN SIE ZUERST DIE VENTILATOR-BETRIEBSSTUFE "⑥" EINSTELLEN; UND DANN KÖNNEN SIE ANSCHLIESSEND EINE NIEDRIGERE BETRIEBSSTUFE EINSTELLEN.**

**DER DC-MOTOR DES VENTILATORS BENÖTIGT CA. 5-10 SEKUNDEN, UM AUF DIE EINSTELLUNG EINER NEUEN BETRIEBSSTUFE ODER DER LAUFRICHTUNG DES VENTILATORS ZU REAGIEREN, DA DER DC-VENTILATOR-MOTOR MIT EINEM SENSOR AUSGESTATTET IST, DER DIE STROMZUFUHR ZUM MOTOR STEUERT.**



## ② - VENTILATOR "AUS"-TASTE:

Betätigen Sie diese Taste, um den Ventilator auszuschalten.

## ③ - LAUFRICHTUNG UMKEHREN-TASTE.

Betätigen Sie diese Taste, um die Laufrichtung des Ventilators umzuschalten. Der Ventilator muss in Betrieb sein, um die Laufrichtung umkehren zu können.

## ④ - LICHT-STEUERUNG-TASTE:

Betätigen Sie die Taste, um das Licht „ein/aus“ zu schalten.

DER EMPFÄNGER IST MIT DEN FOLGENDEN SCHUTZFUNKTIONEN AUSGESTATTET:

- **Verriegelung:** Der Empfänger hat eine integrierte Sicherungsfunktion, die beim Blockieren des Ventilators während des Betriebs anspricht. Der Motor wird angehalten, und wenn der Ventilator länger als 30 Sekunden blockiert ist, dann wird die Stromzufuhr unterbrochen. Bitte entfernen Sie alle Behinderungen bevor Sie den Ventilator erneut einschalten. Um eine Rücksetzung auszuführen schalten Sie die Stromversorgung zum Motor einfach aus, und dann wieder ein.
- **Über 80W Lastschutz:** Wenn der Empfänger eine Betriebslast von über 80W misst, dann wird die Stromzufuhr unterbrochen und der Ventilatormotor hält unverzüglich an. Schalten Sie die Stromzufuhr ca. 5 Sekunden aus und dann wieder ein, um den Ventilator wieder zu starten.

## ERNEUTE SYNCHRONISIERUNG DES VENTILATOR-EMPFÄNGERS & DER FERNBEDIENUNG

Falls die Stromversorgung der Fernbedienung oder des Empfängers nach der Installation oder während des regulären Betriebs unterbrochen wird, dann müssen Sie die Fernbedienung und den Empfänger erneut synchronisieren. Nachfolgend finden Sie eine Liste der Funktionsstörungen wenn die Synchronisierungseinstellungen gelöscht wurden, und Hinweise dazu wie eine erneute Synchronisierung der Fernbedienung und des Empfängers für den DC-Deckenventilator auszuführen ist.

### Störungen:

- Keine Steuerung möglich – Ventilator funktioniert nur auf höchster Betriebsstufe nach der Installation.
- Keine Steuerung möglich – Ventilator-Laufrichtung kann nach Installation nicht umgekehrt werden.
- Keine Steuerung möglich – Fernbedienung kann nicht mit dem Empfänger kommunizieren.

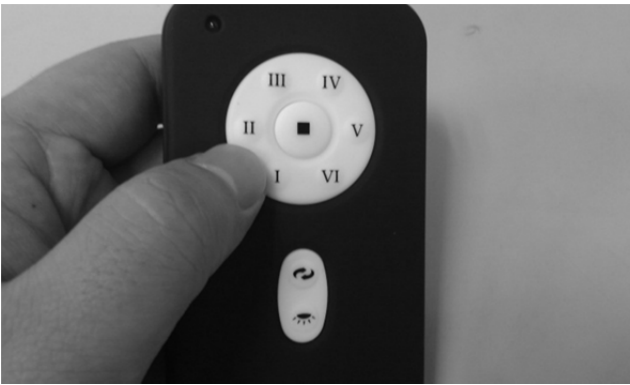
### Abhilfe:

Wenn der Ventilator kontinuierlich auf der höchsten Geschwindigkeitsstufe funktioniert, dann bedeutet dies, dass die Installation korrekt ausgeführt wurde. Wenn der Ventilator nur in der höchsten Betriebsstufe funktioniert, oder wenn die Laufrichtung nicht umgeschaltet werden kann, dann sollten Sie die Fernbedienung und den Empfänger erneut synchronisieren. Bitte beachten Sie dazu die nachfolgenden Hinweise:

- A. Nehmen Sie die Batteriefachabdeckung der Fernbedienung ab, und überprüfen Sie die Einstellungen neben dem 434 MHz Aufkleber; stellen Sie sicher, dass die Batterie korrekt installiert ist, und dass der rote LED-Indikator blinkt, wodurch angezeigt wird, dass die Fernbedienung korrekt funktioniert.







- B. Schalten Sie die Stromversorgung zum Empfänger mindestens 30 Sekunden lang ab, und schalten Sie anschließend die Stromversorgung zu Empfänger wieder ein. Halten Sie nun die SET-Taste der **Fernbedienung** 6 Sekunden lang innerhalb von 60 Sekunden nach dem Wiedereinschalten der Stromversorgung zum Empfänger gedrückt.



- C. Betätigen Sie die Tasten der Fernbedienung, um die Funktionen der Fernbedienung zu testen. Normalerweise kann die Synchronisierung von Fernbedienung und Empfänger durch Ausführen der obigen Schritte A, B und C wieder repariert werden und die Steuerung des Ventilators funktioniert anschließend wieder normal. Falls dies nicht der Fall sein sollte, dann beachten Sie bitte die nachfolgenden Hinweise.
- D. Alle DIP-Schalter des Ventilators befinden sich in der Werkseinstellung in der oberen Position. Sie können die DIP-Schalter in 16 unterschiedliche Einstellungen bringen (Beispiel: auf-auf-ab-ab).



- E. Bitte wiederholen Sie anschließend die Schritte (A)~(C), um die Funktion zu überprüfen.

Falls die Störung auch noch nicht behoben ist, nachdem Sie die Schritte (A) bis (D) ausgeführt haben, dann rufen Sie bitte die Lucci Kundendienst-Nummer an, oder treten Sie mit dem nächsten Beacon Beleuchtungsfachgeschäft in Kontakt, um Ihre Fernbedienung oder den Empfänger des Ventilators umzutauschen.

Hinweis: Um Ihre Sicherheit zu gewährleisten, muss der neue Empfänger von einem zugelassenen Elektriker oder Elektrofachmann installiert werden.

**Hinweis: Während die Synchronisation der Fernbedienung für den DC Deckenventilator und den Empfänger stattfindet, funktioniert der Ventilator automatisch 90 Sekunden lang in der höchsten Geschwindigkeitseinstellung und im RÜCKWÄRTS-Modus (REVERSE), und anschließend funktioniert der Ventilator automatisch 90 Sekunden lang im VORWÄRTS-Modus (FORWARD). Betätigen Sie während der Synchronisation keine Taste an der Fernbedienung.**

## AUSBALANCIEREN/UNRUNDLAUFEN STÖRUNGSSUCHE

Bitte beachten Sie, dass nicht alle Deckenventilatoren genau identisch sind, auch innerhalb der gleichen Baureihe – und einige Ventilatoren laufen unrunder als andere. Eine Unwucht von einigen Zentimetern ist durchaus akzeptabel und Sie müssen nicht befürchten, dass der Ventilator herunter fällt.

Obwohl alle Ventilatorflügel während der Herstellung gewogen und nach Gewicht sortiert werden, ist es unmöglich Unrundlaufen vollständig zu eliminieren. Diese ist keine Funktionsstörung. Deckenventilatoren neigen dazu sich während des Betriebs leicht aus der Mitte zu bewegen, da diese im Allgemeinen nicht fest, sondern frei hängend montiert sind.

Versuchen Sie Unrundlaufen durch folgende Maßnahmen zu reduzieren:

- 1) Stellen Sie sicher, dass die Befestigungsschrauben fest angezogen sind.
- 2) Unrundlaufen kann durch unterschiedliche Höhen der Ventilatorflügel verursacht werden. Messen Sie den Abstand der Ventilatorflügelspitzen zur Decke, um festzustellen, ob sich diese in unterschiedlichem Abstand von der Decke befinden.

Hinweis: Falls Sie feststellen, dass die Ventilatorflügel in unterschiedlicher Höhe sind:

- Überprüfen Sie ob die Befestigungsschrauben zu fest oder zu lose sind, da dadurch unterschiedliche Höhen der Flügelspitzen verursacht werden könnten;
  - Verbogene Ventilatorflügel können Unrundlaufen verursachen; prüfen Sie die Ventilatorflügel, indem Sie diese auf eine gerade Oberfläche legen. Ein nicht verformter Ventilatorflügel liegt flach auf der Oberfläche auf.
- 3) Die Höhe der Ventilatorflügel kann wie in der Abbildung dargestellt, mittels eines Lineals überprüft werden. Halten Sie das Lineal senkrecht gegen die Decke und legen Sie dieses an der äußeren Kante des Ventilatorflügels an. Markieren Sie den Abstand der Ventilatorflügelkante, und prüfen Sie ob sich alle Ventilatorflügelkanten im gleichen Abstand von der Zimmerdecke befinden. Drehen Sie dazu die Flügel langsam von Hand. Falls die Flügel nicht korrekt ausgerichtet sind, dann liegt dies entweder daran dass diese verformt/verbogen sind, oder dass die Flügelhalteschrauben zu fest angezogen sind, oder zu lose sind.

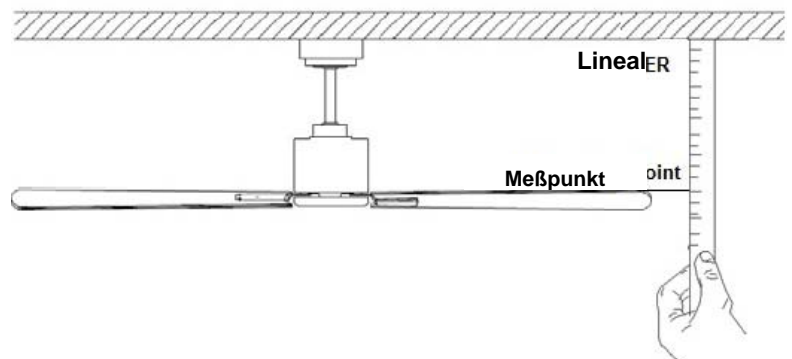


Abb. 12

### BALANCIERSATZ

1. Ein Balancersatz zum Ausbalancieren des Deckenventilators bei der erstmaligen Installation wird mitgeliefert. Bitte beachten Sie die mit dem Balancersatz mitgelieferten Hinweise zu dessen Einsatz.
2. Der Balancersatz kann zur Ausbalancierung des Ventilators verwendet werden, falls dieser nach einiger Zeit

unrund läuft. Werfen Sie den Balancier-Satz nicht weg, und bewahren Sie diesen für den zukünftigen Einsatz auf.

## **PFLEGE DES VENTILATORS UND GARANTIEHINWEISE**

### **WARTUNG & REINIGUNG**

- Nur die periodische Reinigung Ihres Deckenventilators sind zur Wartung des Ventilators erforderlich. Verwenden Sie eine weiche Bürste oder ein nicht flusendes Tuch, um das Zerkratzen der farb-beschichteten oder galvanisierten Oberflächen zu vermeiden. Bitte stellen Sie sicher, dass der Ventilator vollständig ausgeschaltet ist während Sie das Gerät reinigen.
- Verwenden Sie kein Wasser zur Reinigung des Deckenventilators. Durch eindringendes Wasser könnte der Motor beschädigt werden, und Sie setzen sich der Gefahr lebensbedrohlicher Stromschläge aus.

### **GARANTIELEISTUNGEN**

Die Herstellergarantie deckt Fehler ab, die während des Betriebs auftreten, jedoch NICHT geringfügige Klagen, wie z.B. Geräusche vom laufenden Motor – ALLE ELEKTRISCHEN MOTOREN ERZEUGEN EIN GERINGES GERÄUSCH WÄHREND DES BETRIEBS.

**KUNDEN IN AUSTRALIEN/NEU SEELAND** – Bitte beachten Sie die separate GARANTIE-ERKLÄRUNG

**KUNDEN IN EUROPA** – Bitte treten Sie für Garantieleistungen mit dem Fachhändler in Kontakt, bei dem Sie das Gerät gekauft haben.

### **UNRUNDLAUFEN**

- Deckenventilatoren bewegen sich normaler Weise während des Betriebs weil diese meist nicht starr an der Decke befestigt sind – wenn Sie dies wären, würden während des Betriebs übermäßige Dauerbelastungen der Aufhängung durch Schwingungen verursacht.
- Eine Auslenkung von einigen Zentimetern ist akzeptabel, und Sie müssen nicht befürchten dass der Ventilator herunter fällt.
- Deckenventilatoren werden sicher mittels Halterungen aus Stahl mit Kunststoffdämpfung oder Kugelgelenken aufgehängt, um eine freie Bewegung zu ermöglichen.
- Bitte beachten Sie, dass nicht alle Ventilatoren exakt identisch sind, auch nicht Modelle der gleichen Baureihe – einige Geräte bewegen sich mehr als andere während des Betriebs.

### **NORMALE ABNUTZUNG**

Geräteteile mit Gewinden, die sich etwas gelöst haben, oder Ventilatorflügel, die bei der Reinigung oder durch Anstoßen leicht verbogen sind, können zusätzliche Vibrationen und Geräusche erzeugen. SOLCHE UMSTÄNDE SIND NICHT UNTER DER GARANTIE ABGEDECKT – doch können Geräusche, die durch diese Umstände verursacht werden durch geringfügige Wartung oder Pflege des Gerätes reduziert werden.

### **ERHÖHTE GRÄUSCHWAHRNEMUNG BEI NACHT**

Auch solche Umstände sind nicht unter der Garantie abgedeckt. Wenn ein Ventilator schadhaft ist, dann sind Geräusche zu jeder Tageszeit wahrnehmbar. Während der ruhigen Nachtstunden sind schwache Geräusche, die sonst nicht hörbar sind, natürlich besser wahrnehmbar. Selbst geringfügige Schwankungen und überlagerte Wechselstromsignale in der Stromversorgung können eine geringfügige Schwankung der Motordrehzahl verursachen. Dies ist jedoch durchaus normal.

### **VENTILATOR-LICHT**

Ausgenommen dann, wenn ein tatsächlicher Herstellungsfehler vorliegt, was extrem selten der Fall ist, sind VENTILATOR-LAMPEN UND SCHIRME NICHT UNTER DER VENTILATOR-GARANTIE ABGEDECKT. Geräusche und Vibrationen, etc. können durch lose Lampen oder Schirme verstärkt werden. Auch solche Geräusche können jedoch etwas Pflege und Wartung reduziert werden.

# CHECKLISTE ZUR STÖRUNGSSUCHE

Beachten Sie stets die nachfolgende "Störungssuche-Checkliste", die in dieser Anleitung enthalten ist, bevor Sie den Kundendienst anrufen. Die unnötige Inanspruchnahme von Serviceleistungen kann kostenpflichtig sein.

Stellen Sie sicher, dass die Stromversorgung des Deckenventilators vollständig AUS-geschaltet ist, bevor Sie mit der Störungssuche beginnen.

STÖRUNG	MÖGLICHE URSACHE	VORGESCHLAGENE ABHILFE
1. Ventilator startet nicht mehr. (Warnung: Der Deckenventilator muss AUS-geschaltet werden und Sie sollten einen qualifizierten und zugelassenen Elektriker hinzuziehen.)	A. Sicherung oder Fehlerstromschalter angesprochen.	Überprüfen Sie die Sicherungen und Fehlerstromschalter für den Haupt- und die Nebenstromkreise.
	B. Loser Stromanschluss zum Ventilator. (Diese Störung tritt normalerweise bei der Erstinstallation auf.)	Überprüfen Sie die Leitungsanschlüsse zum Ventilator. Diese Arbeiten müssen von einem zugelassenen Elektriker ausgeführt werden.
	C. Keine Signale von der Fernbedienung.	- Batterie ist schwach. Wechseln Sie die Batterie aus. - Überprüfen Sie, ob die Fernbedienung korrekt mit dem Empfänger synchronisiert ist.
	D. Schalten Sie den Ventilator mittels des Hauptschalters EIN.	Überprüfen Sie, ob die Stromversorgung zum Ventilator vorhanden ist.
2. Ventilator läuft unrund: (Beachten Sie den Abschnitt dieser Anleitung der sich auf Unrundlaufen bezieht für weitere Hinweise zu dieser Störungsart.)	A. Ventilatorflügel befinden sich horizontal nicht in gleichem Abstand zur Decke.	Beachten Sie den Abschnitt zur Behebung von Störungen aufgrund von "Unrundlaufen" in dieser Anleitung. - Es kann sein, dass Sie die Ausrichtung der Ventilatorflügel an der Halterung mittels der Schrauben nachjustieren müssen; - Ventilatorflügel wurden verformt und verursachen so die Störungen der Laufruhe. Es kann sein dass Sie einen neuen Ventilatorflügelsatz installieren müssen. Treten Sie mit Ihrem Einzelhändler für weitere Einzelheiten in Kontakt.
	B. Ventilatorflügelschrauben sind lose.	Stellen Sie sicher, dass alle Schrauben fest angezogen wurden.
	C. Ventilatorflügel sind verbogen.	Nehmen Sie die Ventilatorflügel vom Gerät ab, und legen Sie dies auf eine flache Oberfläche, um zu überprüfen, ob diese möglicherweise verformt sind. Treten Sie mit ihrem Fachhändler für weitere Einzelheiten in Kontakt.
3. Der Ventilator scheint Geräusche zu erzeugen.	A. Die Manschette berührt die Decke.	Lassen Sie die Manschette etwas herunter und stellen Sie sicher dass mindestens ein Abstand von 3 mm zur Decke eingehalten wird.
	B. Lose Schrauben der Ventilatorflügel.	Ziehen Sie die Halteschrauben für die Ventilatorflügel an, doch die Schrauben nicht überdrehen oder zu fest anziehen.
	C. Deckenventilator nicht fest an der Decke befestigt.	Ziehen Sie die Schrauben der Deckenhalterung nach.
	D. Falscher Geschwindigkeitsregler.	Verwenden Sie den für dieses Gerät mitgelieferten Empfänger für die Fernbedienung. (Diese Arbeiten müssen von einem zugelassenen Elektriker ausgeführt werden.)
4. Mechanische Geräusche	A. Lassen Sie den Ventilator mindestens 8 Stunden einlaufen.	
5. Licht schaltet nicht EIN. (NUR für Geräte mit optionaler Beleuchtung)	Der Schirm/die Lampe sind schadhaft.	Schirm/Lampe auswechseln.

**WARNUNG: DER DECKENVENTILATOR MUSS VOR DER STÖRUNGSSUCHE VOLLSTÄNDIG AUSGESCHALTET WERDEN.**

## HINWEISE FÜR DEN INSTALLATEUR

- Alle elektrischen Motoren und Ventilatoren erzeugen Geräusche und es kann sein, dass sich diese warm anfühlen – dies ist jedoch keine Betriebsstörung oder Herstellungsfehler.
- Einige Ventilatoren laufen unrunder als andere – Auch solche der gleichen Baureihe.
- Ventilatorlampen können wackeln; solche Störungen sind nicht unter der Garantie abgedeckt.
- Die Ventilatorsteuerung kann ein leises Summgeräusch verursachen, besonders wenn eine niedrige Drehzahl eingestellt ist.  
Die obigen Störungen sind nicht unter der Herstellergarantie abgedeckt.

## TECHNISCHE DATEN

AIRFUSION CLIMATE SERIES DC VENTILATOR-Modelle	Betriebsspannung	Leistungsaufnahme (Motor)	Batterie für Fernbedienung
LD52BN,LD52WH LD52CC,LD52AB	220-240VAC	35W	1 x 12V 23AE

## WARRANTY CONDITIONS

**IN AUSTRALIA / NEW ZEALAND CUSTOMER** – Please refer to the separated WARRANTY STATEMENT.

**IN EUROPA** – Falls Sie ein Kunde in Europa sind, dann treten Sie für eventuelle Garantieleistungen bitte mit dem Fachgeschäft in Kontakt, bei dem Sie den Ventilator gekauft haben.

Die Garantieleistung dieses Produktes gilt für 24 Monate ab Kaufdatum für den Gebrauch unter normalen häuslichen Wohnverhältnissen und erstreckt sich auf elektrische Fehler und Fehler in der Herstellung.

1. Installation durch einen konzessionierten Elektriker.

Diese Gewährleistung erlischt, wenn der Deckenventilator nicht von einem konzessionierten Elektriker installiert wird. Probleme, die durch unsachgemäße Installation entstehen, sind nicht durch die Gewährleistung abgedeckt.

2. Lack und/oder Metallüberzüge von Deckenventilatoren unterliegen einer Gewährleistung von sechs Monaten.

3. Die Gewährleistung deckt nicht ab:

- a. Die Reparatur von Fehlern, die durch Unfall, Feuer, unsachgemäßen Gebrauch, Umbau, Modifizierung, Fahrlässigkeit, unsachgemäße oder unvollständige Installation/Bedienung, Reparaturversuch des Deckenventilators durch unbefugte Personen oder höhere Gewalt entstehen.
- b. Beanstandung bzw. Schäden an Möbeln, Teppichen, Wänden, Deckenunterbau oder jegliche andere Folgeschäden, die direkt oder indirekt durch einen fehlerhaften Deckenventilator entstehen.

4. Für die Beleuchtungskörper besteht eine Gewährleistung im Falle eines elektrischen Defekts. Glassbruch ist nicht abgedeckt. Die Leuchtmittel sind auch nicht Bestandteil der Gewährleistung. Beleuchtungskörper können Geräusche und Schwingungen verstärken, die auf locker sitzendes Glas oder locker sitzende Beleuchtungskörper zurückzuführen sind. Dies fällt nicht unter die Gewährleistung. Benachrichtigen Sie innerhalb von 48 Stunden ab Kaufdatum Ihren örtlichen Fachhandel, wenn Sie beim Auspacken zerbrochenes Glas vorgefunden haben.

5. Die Gewährleistung erstreckt sich auf das mögliche Auftreten tatsächlicher Fehler. Alle Elektromotoren verursachen gewisse hörbare Geräusche. Der Deckenventilator sollte mindestens acht Stunden gelaufen sein, damit die Lager sich richtig setzen können.

Der Ventilator kann sich, vor allem im langsamen Betrieb, warm anfühlen – dies stellt keinen Fehler dar. Geräusche von Ventilatoren können durch leichte Schwankungen in der Stromspannung oder durch Netzfrequenzsignale bei Geräten, die zu Energiesparzeiten in Betrieb gehen, entstehen.

6. Verschraubungsteile wie Flügelblattnuttern können sich während des normalen Betriebs ein wenig lösen. Daher sollten diese von Zeit zu Zeit angezogen werden, damit der Ventilator keine Betriebsgeräusche verursacht.

7. Es können geringfügige Unterschiede in der Geschwindigkeit verschiedener Ventilatoren auftreten, sogar innerhalb desselben Modells. Diese stellen keinen Produktfehler dar und sind nicht durch die Gewährleistung abgedeckt.

8. Materialfehler der Flügelblätter sind nicht Gegenstand der Gewährleistung. Wenn sich beim Auspacken der Flügelblätter herausstellt, dass diese beschädigt sind, informieren Sie bitte innerhalb von 48 Stunden ab Kaufdatum Ihren örtlichen Fachhändler, der Ihnen dann ein neues Flügelblattset zuschicken wird. Es ist wichtig, immer das ganze Flügelblätterset auszutauschen, da die Flügelblätter jeweils im Set ausgewuchtet werden. Flügelblätter, die durch klimatische Verhältnisse oder durch Pflegemaßnahmen beeinträchtigt werden, fallen nicht unter diese Gewährleistung.



## FÉLICITATIONS POUR VOTRE ACHAT

Félicitations pour l'achat de ce ventilateur dernier cri en termes d'économie d'énergie. Ce ventilateur fonctionne sur alimentation CC (courant continu) ce qui lui procure l'avantage d'une grande efficacité énergétique tout en conservant un grand volume de circulation d'air et une utilisation silencieuse.

Economie d'énergie – le moteur CC est la dernière technologie en conception de ventilateur. Son moteur hautement efficace permet d'économiser jusqu'à 65% d'énergie par rapport aux ventilateurs fonctionnant avec des moteurs CA traditionnels.

Utilisation silencieuse – Ce moteur de ventilateur CC est programmé avec un courant stabilisé qui réduit efficacement le bruit du moteur.

Température d'utilisation basse – l'alimentation CC est gérée efficacement, ce qui permet de descendre la température d'utilisation du moteur à moins de 50 degrés. Cela permet d'obtenir un moteur beaucoup plus froid que celui d'un ventilateur CA conventionnel et augmente la durée d'utilisation du moteur.

Télécommande 6 vitesses -- les ventilateurs de plafond CA courants ne présentent généralement que trois vitesses, ce ventilateur CC est fourni avec une télécommande à six vitesses, ce qui donne plus de choix dans les niveaux de confort.

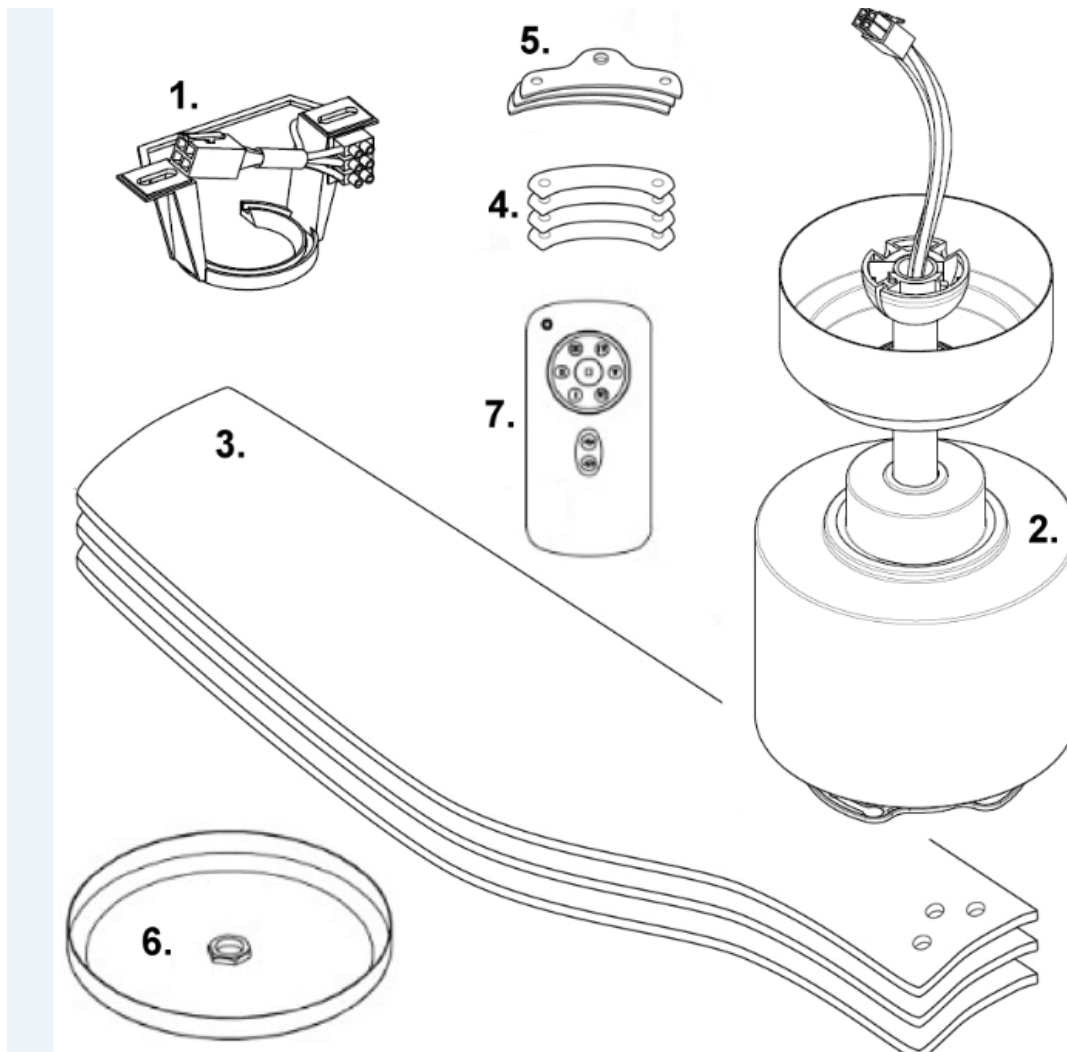
## SAFETY PRECAUTIONS PRÉCAUTIONS DE SÉCURITÉ

- 1) Cet appareil n'est PAS conçu pour être utilisé par des personnes (y compris des enfants) aux capacités physiques, sensibles ou mentales réduites, ou avec un manque d'expérience ou de connaissance, à moins qu'elles n'aient reçu la surveillance ou les instructions concernant l'utilisation de l'appareil par une personne responsable de leur sécurité.
- 2) Les enfants doivent être surveillés afin de s'assurer qu'ils ne jouent pas avec l'appareil.
- 3) Les connecteurs multipolaires doivent être incorporés dans le câblage fixe conformément aux normes de câblage.
- 4) Ne jetez pas les appareils électriques comme des déchets ordinaires, utilisez les centres de collecte spécifiques. Contactez vos autorités locales pour obtenir des informations concernant les systèmes de collecte disponibles. Si des appareils électriques sont abandonnés dans des décharges ou dépotoirs, des substances dangereuses peuvent s'échapper dans les nappes phréatiques et passer dans la chaîne alimentaire, au détriment de notre santé et de notre bien-être.
- 5) La structure sur laquelle le ventilateur est installé doit être en mesure de supporter un poids de 30 kg.
- 6) Le ventilateur doit être installé de manière à ce que les pâles soient au moins à **2,3** mètres au dessus du sol en Europe.
- 7) Le ventilateur doit être installé de manière à ce que les pâles soient au moins à **2,1** mètres au dessus du sol en Australie.
- 8) Le ventilateur est conçu pour une utilisation en intérieur uniquement. Il est dangereux d'installer le ventilateur dans un endroit exposé à l'eau ou à l'humidité.
- 9) Seul un électricien agréé peut procéder à l'installation.



## AVANT L'INSTALLATION

Déballer votre ventilateur et vérifiez les contenus. Vous devriez avoir ce qui suit :



- |   |                                                                                                  |    |                                                           |
|---|--------------------------------------------------------------------------------------------------|----|-----------------------------------------------------------|
| 1 | support de montage x 1                                                                           | 7  | Emetteur à distance avec support x 1 ensemble             |
| 2 | Ensemble du ventilateur avec protection de crochet, tige du bas, protection auvent et auvent x 1 | 8  | Vis du moteur supplémentaires x 1 (non affichées)         |
| 3 | Lames x 3                                                                                        | 9  | Vis en bois x 2 (non affichées)                           |
| 4 | Fibre de lame x 3                                                                                | 10 | Kits d'équilibrage x 1 (non affichées)                    |
| 5 | Support de lame x 3                                                                              | 11 | Vis pour support à distance x 2 (non affichées)           |
| 6 | Couvercle du fond x 1                                                                            | 12 | Batterie 12V pour appareil à distance x 1 (non affichées) |

# OUTILS NÉCESSAIRES

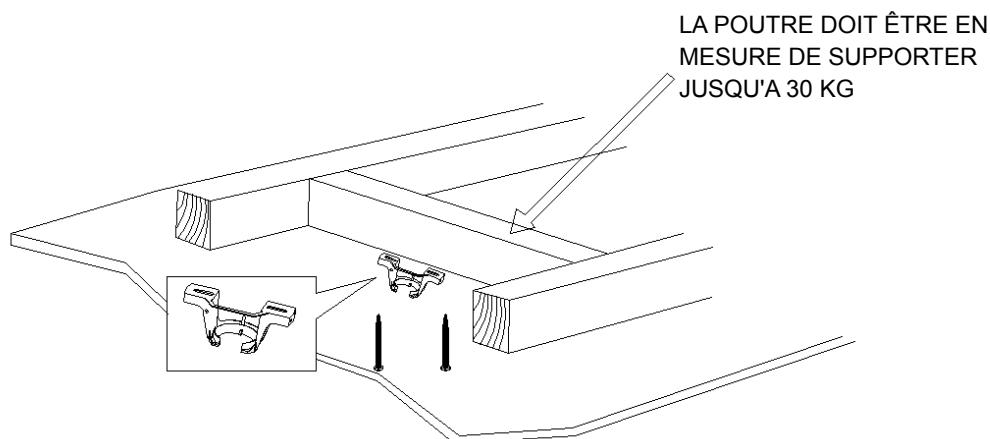
## OUTILS NÉCESSAIRES :

- Tournevis Phillips / tête plate
- Paire de pince
- Clé universelle
- Escabeau
- Coupe-fil
- Le câblage et le câble d'alimentation doivent être aux normes des codes et règlements régionaux et nationaux concernant le câblage.

## INSTALLATION DU CROCHET DE FIXATION

Le ventilateur de plafond doit être installé dans un endroit où les extrémités des pales seront éloignées de 300 mm des objets ou des murs les plus proches.

Fixez le crochet de suspension aux solives du plafond ou à une structure capable de supporter une charge d'au moins 30 kg, avec les deux vis longues fournies. Assurez-vous qu'au moins 30mm de la vis est insérée dans le support.



REMARQUE: L'ILLUSTRATION N'A QU'UN BUT ILLUSTRATIF ET NE REPRÉSENTE PAS LE CROCHET RÉEL.

Illustration 2

**REMARQUE :** Les vis de crochet fournies sont conçues pour une utilisation sur une structure bois uniquement. Pour les structures autres que bois, vous DEVEZ utiliser des vis de type approprié.

### Installation sur un plafond angulaire

Ce système de suspension de ventilateur permet une installation angulaire sur un plafond d'une inclinaison maximum de 20 degrés.

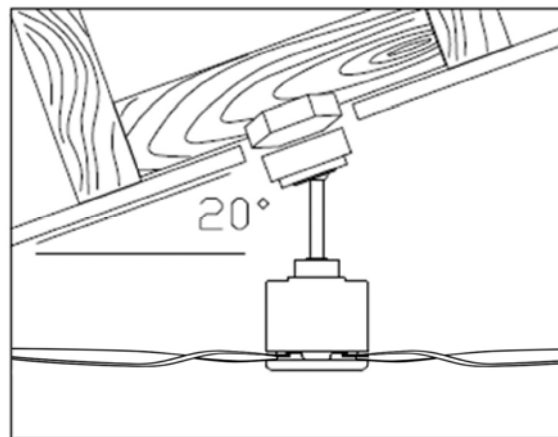


Illustration 3



## SUSPENSION DE L'ASSEMBLAGE DU MOTEUR DE VENTILATEUR

### Installer la tige descendante

- Soulevez l'assemblage moteur sur le crochet de montage. Illustration 4
- Assurez-vous que la boule d'encoche est positionnée sur le bouchon du crochet de fixation pour empêcher le ventilateur de tourner lorsqu'il fonctionne. Illustration 5

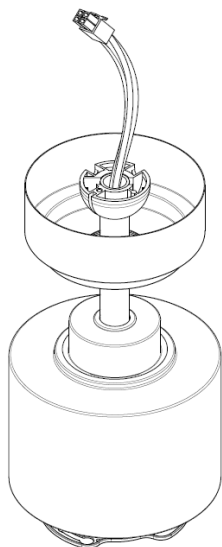


Illustration 4

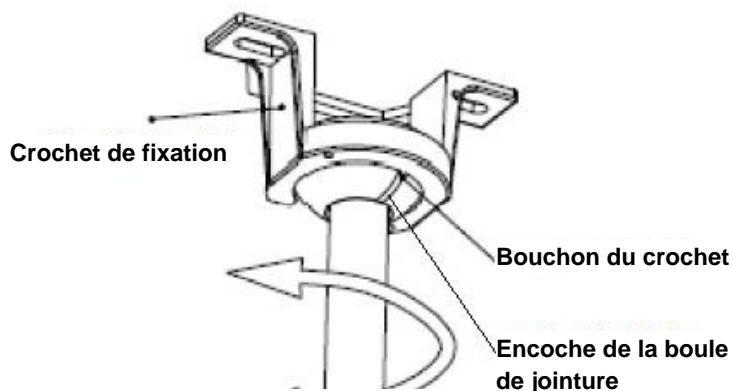


Illustration 5

## PREPARATION ET FINITION DU CÂBLAGE ÉLECTRIQUE SCHÉMA DE CONNEXION (ILLUSTRATIONS 6)

**AVERTISSEMENT! POUR VOTRE SÉCURITÉ, TOUTES LES CONNEXIONS ÉLECTRIQUES DOIVENT ÊTRE EFFECTUÉES PAR UN ÉLECTRICIEN QUALIFIÉ.**

**REMARQUE : UN INTERRUPTEUR DE DÉCONNEXION MULTIPOLAIRE DOIT ÊTRE AJOUTÉ AU CÂBLAGE FIXE.**

**REMARQUE : SI VOUS INSTALLEZ DEUX VENTILATEURS DE PLAFOND CC OU PLUS AU MEME ENDROIT, UN INTERRUPTEUR DE RÉVISION EST NÉCESSAIRE POUR CHAQUE VENTILATEUR DE PLAFOND. CELA EST NÉCESSAIRE LORSQUE VOUS PROGRAMMEZ LA TÉLÉCOMMANDE ET LE RÉCEPTEUR POUR LES COUPLER ENSEMBLE.**

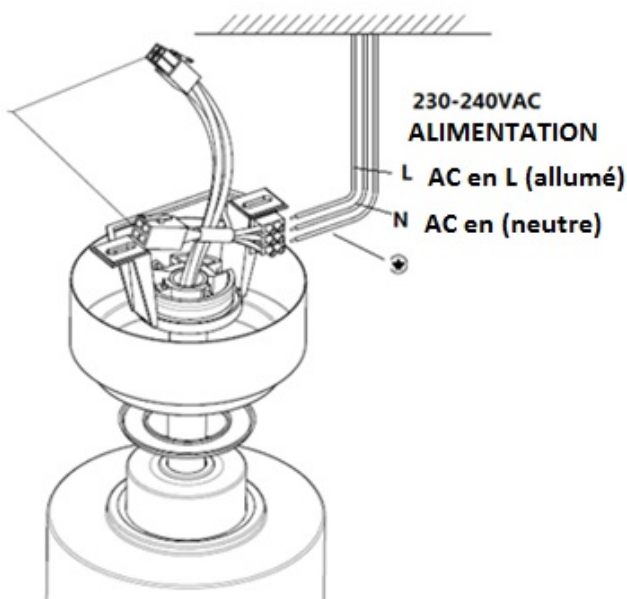
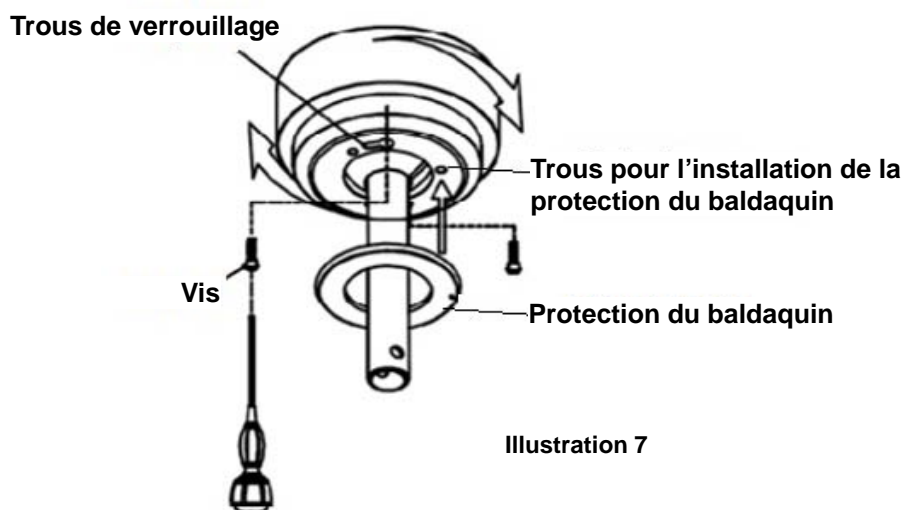


Illustration 6

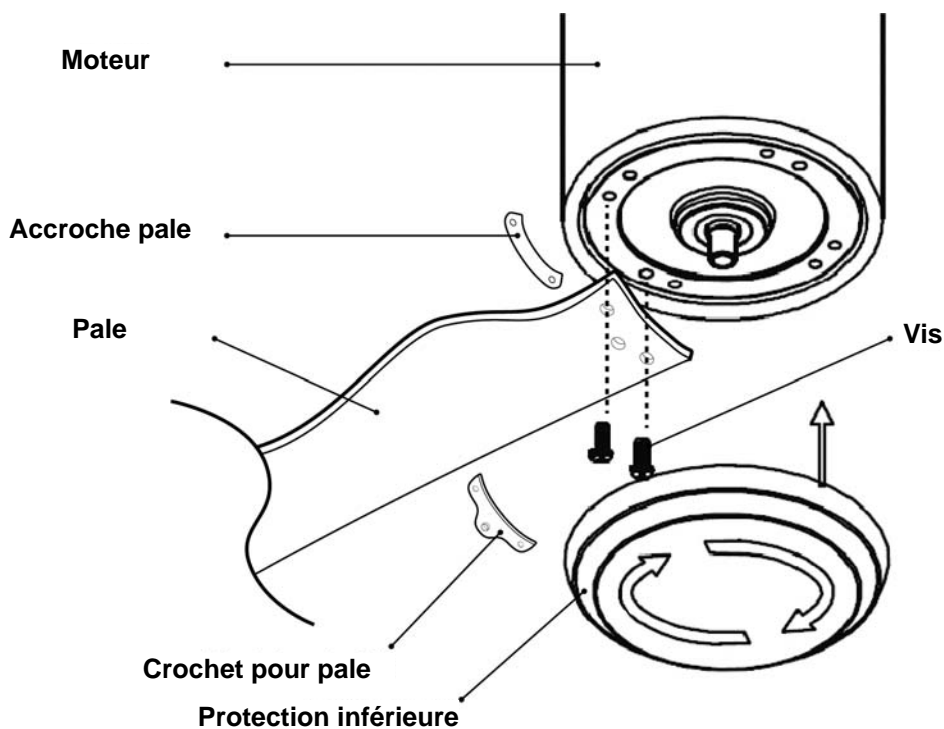
## INSTALLATION DE LA PROTECTION DE BALDAQUIN

- Desserrez les deux vis du dessous du crochet de fixation.
- Faites coulisser le baldaquin sur le crochet de fixation et placez le trou de verrouillage sur le baldaquin sur la vis sur le crochet de fixation, tournez le baldaquin jusqu'à ce qu'il se fixe en position sur la section étroite des trous de verrouillages, fixez en serrant les deux vis. Évitez d'endommager le câblage électrique préparé préalablement.
- Enfin, attachez la protection du baldaquin sur le baldaquin et fixez-la en poussant les languettes dans les trous.



## INSTALLATION DES PALES

- Insérez les vis de pales dans l'assemblage des pales composé dans l'ordre suivant : crochet pour pale, pale et accroche pale. Attachez l'assemblage de pale sur le moteur et fixez en serrant les deux vis. Illustration 11
- Répétez l'opération pour installer les autres pales.
- Finalement, installez la protection inférieure sur l'axe du moteur en le tournant dans le sens des aiguilles d'une montre.



## Installation du kit d'éclairage (kit d'éclairage – facultatif)

Note: le kit d'éclairage doit être installé par un électricien agréé.

NOTE: le kit d'éclairage est disponible pour les modèles de ventilateur pour plafond sélectionnés et en tant que kit d'éclairage facultatif.

1. Retirez le couvercle du fond de l'arbre.
2. Retirez le tube pouvant être rétréci du connecteur de câbles de la lampe.
3. Pour l'installation du kit d'éclairage, veuillez vous référer au guide d'installation du kit d'éclairage.

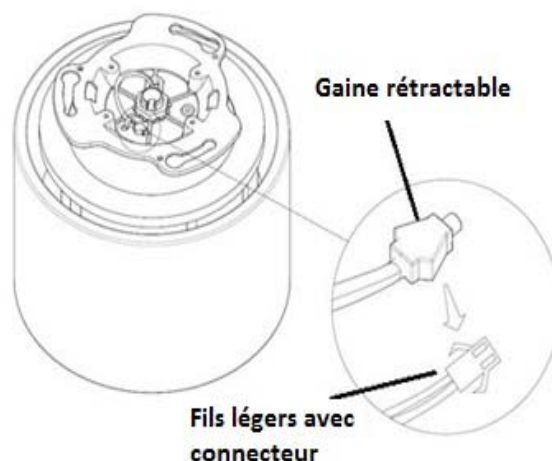


Illustration 9

## UTILISER VOTRE VENTILATEUR DE PLAFOND AVEC LA TÉLÉCOMMANDE

### Coupler l'émetteur et le récepteur – lorsque vous installez deux ventilateurs de plafond CC ou plus au même endroit

Lorsque deux ventilateurs ou plus sont installés proches l'un de l'autre, vous aurez peut-être besoin de configurer l'émetteur/récepteur de chaque ventilateur sur un code différent, afin que l'utilisation d'un ventilateur n'influence pas l'utilisation des autres.

Les interrupteurs DIP pour l'émetteur (télécommande) se situent dans le compartiment des piles de l'émetteur. La configuration des micro-interrupteurs rendra possible l'assignation d'un code de transmission unique à chaque ventilateur de plafond.

REMARQUE : Assurez-vous d'avoir installé un interrupteur multipolaire dans le câblage fixe pour chaque ventilateur, lorsque vous utilisez la fonction de code micro-interrupteur.

REMARQUE : Assurez-vous que le récepteur soit sur la position **ON** avant de coupler l'émetteur et le récepteur.

#### **Couplage de l'émetteur/récepteur pour le ventilateur de plafond 1 :**

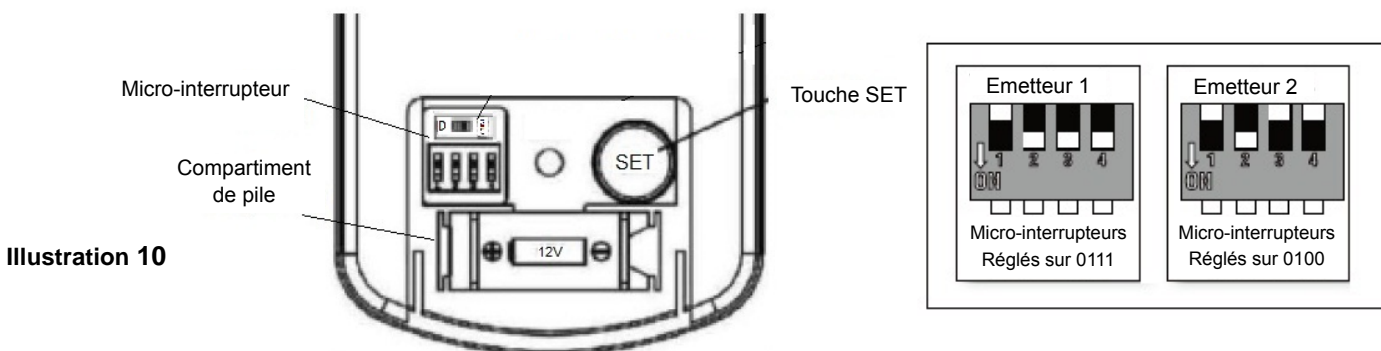
- Éteignez les deux ventilateurs 1 et 2 avec l'alimentation principale au récepteur.
- Faites coulisser le couvercle du compartiment de pile de l'émetteur pour accéder aux micro-interrupteurs. Cela sera l'émetteur 1.
- Changez la position des micro-interrupteurs dans la télécommande 1, afin qu'elle soit différente de celle de la télécommande 2. Illustration 13
- Installez la pile 12V CC dans le compartiment. Assurez-vous que la polarité de la pile est correcte.
- Allumez l'alimentation du récepteur 1. Maintenez le récepteur 2 éteint. (chaque ventilateur doit avoir son propre interrupteur de révision, afin que seul le ventilateur qui doit être couplé avec l'émetteur soit allumé).
- Maintenez la touche SET de l'**émetteur 1** pendant 6 secondes dans les 60 secondes qui suivent l'alimentation du récepteur du ventilateur 1.
- A présent, l'émetteur devrait être couplé avec le récepteur du ventilateur 1. Éteignez et rallumez ou changez la vitesse du ventilateur 1 avec l'émetteur pour vérifier le fonctionnement.

#### **Configuration CC du ventilateur 2 :**

- Éteignez les deux ventilateurs 1 et 2 avec l'alimentation principale au récepteur.
- Faites coulisser le couvercle du compartiment de pile de l'émetteur pour accéder aux micro-interrupteurs. Cela sera l'émetteur 2.

- Changez la position des micro-interrupteurs dans la télécommande 2, afin qu'elle soit différente de celle de la télécommande 1. Illustration 12
- Installez la pile 12V CC dans le compartiment. Assurez-vous que la polarité de la pile est correcte.
- Allumez l'alimentation du récepteur 2. Maintenez le récepteur 1 éteint. (chaque ventilateur doit avoir son propre interrupteur de révision, afin que seul le ventilateur qui doit être couplé avec l'émetteur soit allumé).
- Maintenez la touche SET de l'**émetteur 2** pendant 6 secondes dans les 60 secondes qui suivent l'alimentation du récepteur du ventilateur 2.
- A présent, l'émetteur devrait être couplé avec le récepteur du ventilateur 2. Eteignez et rallumez ou changez la vitesse du ventilateur 2 avec l'émetteur pour vérifier le fonctionnement.

**Remarque: Le couplage des émetteurs et récepteurs n'est pas nécessaire si vous n'installez qu'un seul ventilateur. Lorsque plus de deux ventilateurs sont installés à proximité les uns des autres, veuillez vous référer aux instructions ci-dessus.**



## Touches de la télécommande

### ① TOUCHE DE CONTROLE DE LA VITESSE DES PALES :

Il y'a 6 vitesses disponibles. La touche ① correspond à la vitesse la plus lente et la touche ⑥ correspond à la vitesse la plus rapide.

REMARQUE : LORSQUE VOUS ALLUMEZ LE VENTILATEUR POUR LA PREMIÈRE FOIS OU QUE VOUS ALLUMEZ L'ALIMENTATION PRINCIPALE AVEC LA TÉLÉCOMMANDE, VOUS DEVEZ DÉMARRER LE VENTILATEUR EN UTILISANT D'ABORD LA VITESSE ⑥ PUIS CHOISIR UNE VITESSE INFÉRIEURE PAR LA SUITE.

UN DÉLAI DE 5-10 SECONDES EST NÉCESSAIRE POUR PERMETTRE AU VENTILATEUR CC DE RÉPONDRE À LA TÉLÉCOMMANDE SUR CHAQUE VITESSE OU LA SÉLECTION DE DIRECTION DE VENTILATEUR, CAR LE VENTILATEUR CC CONTIENT UN CONTROLE DE CAPTEUR QUI COMMANDE LA PUISSANCE DU MOTEUR.

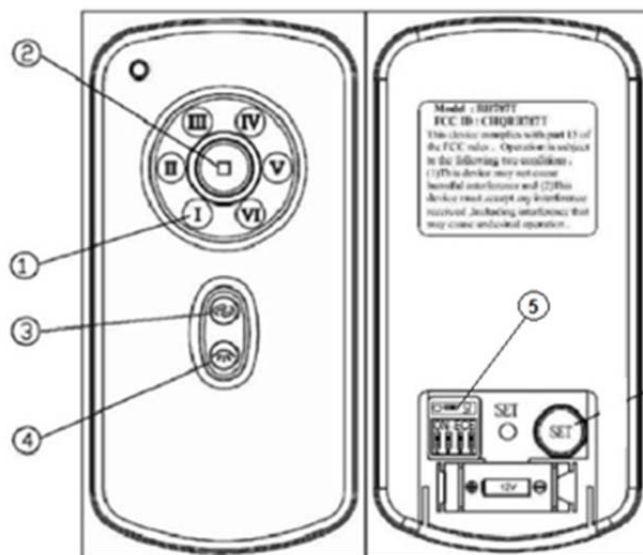


Illustration 11

### ② - TOUCHE D'EXTINCTION DU VENTILATEUR :

Appuyez sur cette touche pour éteindre le ventilateur.

### ③ - TOUCHE D'INVERSEMENT DU SENS :

Appuyez sur cette touche pour inverser le sens de rotation des pales. Le ventilateur doit être en fonctionnement pour activer la fonction inversement.

#### ④- TOUCHE DE CONTROLE DE LA LUMIÈRE :

Appuyez sur le bouton pour allumer/éteindre la lumière.

LE RÉCEPTEUR PERMET LES NIVEAUX SUIVANT DE PROTECTION CONTRE.

- Position verrouillée : Le récepteur a une fonction intégrée de sécurité pour le protéger contre l'obstruction pendant le fonctionnement. Le moteur sera verrouillé au niveau du fonctionnement et se déconnectera de l'alimentation après 30 secondes d'interruption. Veuillez enlever les obstacles avant de redémarrer. Pour réinitialiser, éteignez simplement l'alimentation électrique du moteur du ventilateur et redémarrez.
- Protection au dessus de 80W : lorsque le récepteur détecte une consommation énergétique supérieure a 80W, le récepteur s'arrêtera et le fonctionnement cessera immédiatement. Allumez le récepteur d'alimentation après 5 secondes pour redémarrer le ventilateur.

## RE-COUPER LE RÉCEPTEUR DU VENTILATEUR ET LE COUPLAGE DISTANT

Si la télécommande et le récepteur perdent le contact après l'installation ou pendant l'utilisation, le couplage de la télécommande et du récepteur doit être effectué à nouveau. Ci-dessous sont présentés les symptômes et les méthodes de couplage de la télécommande du ventilateur CC et du récepteur.

#### Problèmes :

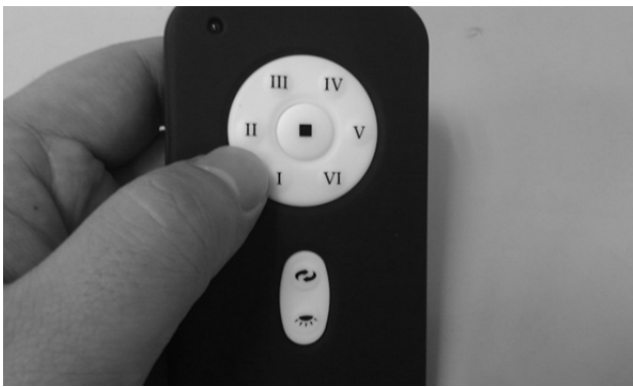
- Perte de contrôle – ventilateur qui tourne à haute vitesse après la mise en fonctionnement
- Perte de contrôle – pas de fonction inversement après la mise en fonctionnement
- Perte de contrôle – la télécommande ne peut pas communiquer avec le récepteur.

#### Solution :

Si le ventilateur tourne a haute vitesse en continu, cela signifie que le câblage de l'installation est correct. Lorsque le ventilateur ne fonctionne qu'à grande vitesse, ou ne peut pas fonctionner en sens inverse ou ne répond pas aux autres commandes, il est recommandé de coupler de nouveau la télécommande et le récepteur. Veuillez suivre les étapes ci-dessous :

- A. Enlevez le couvercle de pile de la télécommande, vérifiez la zone avec l'autocollant 434MHz, assurez-vous que la pile est installée correctement et que l'indicateur lumineux DEL rouge clignote, cela signifie que la télécommande fonctionne normalement.





- B. Coupez l'alimentation principale du récepteur pendant plus de 30 secondes et allumez l'alimentation du récepteur de nouveau. Maintenez la touche SET de la **télécommande** appuyée pendant plus de 6 secondes dans les 60 secondes qui suivent l'activation de l'alimentation du récepteur.



- C. Appuyez sur les touches de la télécommande pour faire fonctionner le ventilateur. En général, l'exécution des points A, B et C devrait permettre de coupler de nouveau la télécommande et le récepteur, et permettra le contrôle intégral du ventilateur. Dans le cas contraire, veuillez procéder à l'étape suivante.
- D. Les micro-interrupteurs des ventilateurs sont configurés sur la position « tous en haut » à l'usine. Et vous pouvez changer la position des micro-interrupteurs à votre guise avec 16 options au choix. (par exemple haut-haut-bas-bas).



- E. Veuillez répéter les étapes (A)-(C) pour vérifier le fonctionnement.

Si les problèmes persistent encore après avoir suivi les points (A) a (D), et que vous ne pouvez toujours pas contrôler correctement, alors veuillez vous référer au numéro de la ligne d'assistance de la garantie Lucci ou contacter le point de vente Beacon Lighting le plus proche pour obtenir une nouvelle télécommande ou transmetteur.

Remarque: Pour votre sécurité, le nouveau récepteur doit être installé par un électricien agréé.

**Note:** Lorsque vous réparez la télécommande du ventilateur pour plafond CC et que l'émetteur est en marche, le ventilateur tourne à la vitesse la plus haute dans le sens **INVERSE** pendant 90 secondes, puis dans le sens **NORMAL** pendant 90 secondes. Pendant le processus de préparation, n'appuyez sur aucune touche de la télécommande.

## RÉSOLUTION DES PROBLÈMES DE BALANCEMENT / TREMBLEMENTS

Veillez noter que tous les ventilateurs ne sont pas identiques, même sur le même modèle – certains peuvent bouger plus ou moins que d'autres. Un mouvement de quelques centimètres est relativement acceptable et ne présente pas un risque de chute du ventilateur.

Même si les pales sont pesées et groupées par poids, il est impossible d'éliminer complètement le tremblement. Cela ne doit pas être considéré comme un défaut. Les ventilateurs ont tendance à bouger pendant le fonctionnement du fait qu'ils ne sont pas montés de manière rigide en général.

Vous pouvez procéder de la manière suivante pour réduire le tremblement

- 1) Vérifiez que toutes les vis de fixation des pales sont bien fixées et bien serrées.
- 2) Les problèmes de tremblement peuvent être causés par un niveau irrégulier des pales. Pour vérifier le niveau des pales, mesurez la distance entre l'extrémité de chaque pale et le plafond.

Remarque: Si les mesures sont éparées :

- Vérifiez que les vis de fixation de pale ne sont pas trop serrées ou desserrées, ce qui pourrait faire que l'extrémité des pales ne soit pas au même niveau.
- Une pale déformée peut causer un tremblement, vérifiez cela en enlevant la pale et en la posant sur une surface plate. Une pale plate correcte doit pouvoir se poser à plat sur la surface.

- 3) La position de la pale peut se vérifier à l'aide d'un simple mètre domestique comme indiqué sur la figure

ci-dessous. Placez le mètre ruban verticalement contre le plafond et au niveau de l'extérieur du côté supérieur de la pale. Notez la distance entre le côté de la pale et comparez entre les pales. Tournez la pale doucement à la main pour vérifier les pales restantes.

Si une pale n'est pas alignée, cela signifie soit que la pale est déformée /

tordue, ou que les vis de la pale sont trop ou insuffisamment serrées.

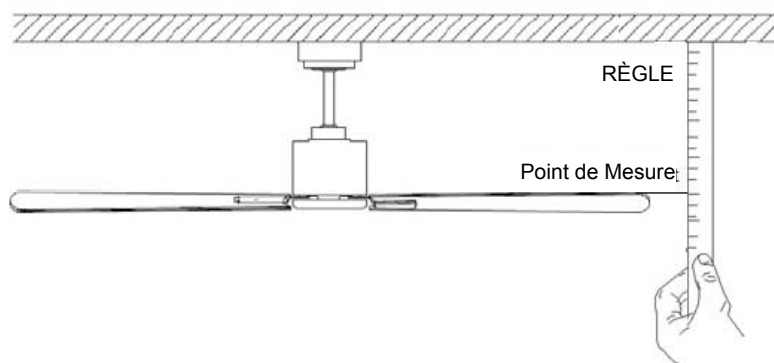


Illustration 12

## JEU D'ÉQUILIBRAGE

1. Un jeu d'équilibrage est fourni pour équilibrer le ventilateur de plafond à la première installation. Veuillez vous référer aux instructions concernant l'utilisation du jeu d'équilibrage, qui est inclus.
2. Le jeu d'équilibrage peut être utilisé pour aider le rééquilibrage du ventilateur de plafond s'il se déséquilibre avec le temps. Ne vous débarrassez pas du jeu d'équilibrage. Conservez-le pour une utilisation future

éventuelle.

## **INFORMATION SUR L'ENTRETIEN DU VENTILATEUR ET SUR LA GARANTIE**

### **ENTRETIEN ET NETTOYAGE**

- Le nettoyage régulier de votre ventilateur de plafond est le seul entretien nécessaire. Utilisez une brosse douce ou un linge non pelucheux pour éviter de rayer la finition peinte/plaquée. Assurez-vous que le ventilateur ne fonctionne pas lors du nettoyage.
- N'utilisez pas d'eau lorsque vous nettoyez votre ventilateur. Cela pourrait endommager le moteur ou les pales et créer les conditions d'un électrochoc.

### **SERVICE DE GARANTIE**

La garantie du fabricant couvre les défauts réels qui pourraient se présenter, mais PAS les défauts légers, comme par exemple le bruit du fonctionnement du moteur – TOUS LES MOTEURS ÉLECTRIQUE SONT AUDIBLES DANS UNE CERTAINE MESURE.

**CLIENTS AUSTRALIEN/ NÉOZÉLANDAIS** – Veuillez vous référer à la DECLARATION DE GARANTIE séparée.

**CLIENTS EUROPÉENS** – Veuillez contacter le point de vente de détails ou le ventilateur a été acheté pour l'application de la garantie.

### **TREMBLEMENT**

- Le ventilateur à tendance à bouger pendant le fonctionnement du fait qu'il n'est pas monté de manière rigide -- si c'est le cas, il pourrait générer une vibration du plafond et une pression sur la fixation.
- Un mouvement de quelques centimètres est relativement acceptable et ne présente pas un risque de chute du ventilateur.
- Les ventilateurs sont montés très fermement sur des crochets d'acier avec des coussinets en caoutchouc ou avec des boules de jointures pour permettre un mouvement libre.
- Veuillez noter que tous les ventilateurs ne sont pas identiques, même sur le même modèle – certains peuvent bouger plus ou moins que d'autres.

### **USURE NORMALE**

Les composants filetés qui fonctionne de manière légèrement desserrée ou les supports de pale peuvent se courber légèrement du fait du nettoyage ou de coups peuvent provoquer des tremblements et des bruits supplémentaires. CELA N'EST PAS COUVERT PAR LA GARANTIE—mais un peu de soin et d'entretien peut diminuer ou prévenir ce problème.

### **SURSAUTS PENDANT LA NUIT**

Cela n'est pas couvert par la garantie du fabricant. Si un ventilateur présente un défaut, il sera constatable à tout moment. Naturellement, lorsque tout est calme dans la nuit, vous serez plus enclins à entendre des petits bruits, qui ne sont pas remarquable aux autres moments. Même de légères variations d'alimentation et de signaux de fréquence du secteur superposées dans votre alimentation électrique peuvent provoquer un changement dans le bruit du moteur de ventilateur, cela est normal.

### **LAMPE DE VENTILATEUR**

Sauf en cas de défaut réel de fabrication, ce qui est extrêmement rare. LES LAMPES ET AMPOULES DE VENTILATEUR NE SONT PAS COUVERTES PAR LA GARANTIE DE VOTRE VENTILATEUR. Les bruits et vibrations etc. sont souvent accentués lorsque vous avez installé une lampe de ventilateur

Par exemple, une vitre de lampe de ventilateur qui n'a pas été suffisamment serrée peut provoquer une vibration. Encore une fois, du soin et de la maintenance permet de réduire ce phénomène.



# LISTE DE RÉOLUTION DES PROBLÈMES

Consultez systématiquement la « liste de résolution des problèmes » incluse dans ce manuel avant d'appeler pour une réparation. Des appels inutiles sont gênants et peuvent aboutir à une augmentation des frais de fonctionnement.

**Pour votre sécurité, assurez-vous que le ventilateur soit éteint avant de procéder à toute résolution de problème**

PROBLÈME	CAUSE PROBABLE	SOLUTION SUGGÉRÉE
1. Le ventilateur ne démarre pas (avertissement : L'alimentation du plafond doit être désactivée, et l'aide d'un électricien agréé est peut-être nécessaire.)	A. Un fusible ou un plomb a sauté	Vérifiez le secteur et branchez un fusible ou des coupe-circuits.
	B. Les connexions d'alimentation du ventilateur sont desserrées. (se produit en général lors de l'installation.)	Vérifiez les connexions d'alimentation du ventilateur. Doit être exécuté par un électricien agréé.
	C. Pas de réponse de la part de la télécommande	-Pile presque vide Changez la pile - Vérifiez si la télécommande correcte est couplée avec le récepteur.
	D. Le ventilateur est allumé avec l'interrupteur secteur.	Vérifiez si le ventilateur est alimenté.
2. Tremblement des pales (consultez la section sur le tremblement pour plus d'informations).	A. Les pales du ventilateur ne sont pas horizontales par rapport au plafond.	Consultez la section « résolution des tremblements » de ce manuel. <ul style="list-style-type: none"> <li>- Il se peut que la pale doivent être réglée au niveau des vis de montage ;</li> <li>- La pale est déformée, et provoque des tremblements. Un nouveau jeu de pales devra alors être installé en remplacement. Contacter un détaillant pour plus de détails.</li> </ul>
	B. Les vis des pales sont desserrées.	Assurez-vous que toutes les vis sont fixées fermement.
	C. Une (des) pale(s) est (sont) déformée(s)	Enlevez la pale et posez-la sur une surface plate pour vérifier si elle est déformée. Contacter un détaillant pour plus de détails.
3. Le ventilateur est bruyant	A. Le baldaquin supérieur est en contact avec le plafond.	Baissez le baldaquin par rapport au plafond pour laisser un espace d'au moins 3 mm.
	B. Les vis du ventilateur sont desserrées.	Resserrez toutes les vis sur les pales du ventilateur, mais se serrez jamais outre mesure.
	C. Le ventilateur n'est pas fixé au plafond.	Resserrez toutes les vis au niveau du crochet ou de la plaque de fixation.
	D. Commande de vitesse incorrecte.	Changez la commande avec celle fournie. (Doit être exécuté par un électricien agréé.)
4. Bruit mécanique	A. Laissez au moins une période de rodage de 8 heures.	
5. La lampe ne s'allume pas (jeu de lampe optionnel seulement)	L'ampoule/ la lampe ne fonctionne plus	Remplacez l'ampoule/ la lampe

**AVERTISSEMENT: LE VENTILATEUR DE PLAFOND DOIT ÊTRE ÉTEINT AVANT DE PROCÉDER À TOUTE RÉOLUTION DE PROBLÈME.**

## NOTES AUX INSTALLATEURS

- Tous les moteurs électriques, y compris ceux des ventilateurs, font du bruit et sont brûlants au toucher—cela n'est pas un défaut.
- Certains ventilateurs tremblent plus que d'autres – même ceux de même modèle.
- Les lampes de ventilateur peuvent vibrer, mais cela n'est pas couvert par la garantie
- La commande murale du ventilateur peut faire un léger bourdonnement et chauffer, particulièrement en réglage faible. Ces événements ne sont pas couverts par la garantie du fabricant.

## INFORMATION TECHNIQUE

Modèles de la série de ventilateurs CC AIRFUSION CLIMATE	Tension nominale	Puissance nominale (moteur)	Pile pour la télécommande
LD52BN,LD52WH LD52CC,LD52AB	220-240VAC	35W	1 x 12V 23AE

## WARRANTY CONDITIONS

**IN AUSTRALIA / NEW ZEALAND CUSTOMER** – Please refer to the separated WARRANTY STATEMENT.

**EN EUROPE** – Si vous êtes un consommateur Européen, veuillez contacter le point de vente où vous avez acheté le ventilateur pour faire valoir la garantie.

Ce produit est garanti 24 mois à compter de la date d'achat en cas de défauts électriques de fabrication ou de matériel survenant sous conditions d'utilisation normales et résidentielles.

1. L'installation devra être effectuée uniquement par un électricien qualifié.  
Toute demande de garantie ne sera pas reconnue si l'installation a été effectuée par une personne non-qualifiée et si la cause du dommage est due à une utilisation non-conforme de l'appareil.
2. La peinture et/ou les finitions du ventilateur ne sont incluses dans la garantie que pour une durée de 6 mois.
3. Le service de garantie ne couvre pas:
  - a. Les réparations de défauts causés par accident, incendie, mauvaise utilisation de l'appareil, modifications et altérations de l'appareil, négligence, installation et/ou utilisation incorrecte ou incomplète, toute intervention effectuée par un tiers non-autorisé, ou actes divins.
  - b. Les réclamations de dommages causés à mobilier, tapis, murs, plafond ainsi que toute autre perte résultant directement ou indirectement d'une utilisation non-conforme de l'appareil.
4. Le support lumineux est inclus dans la garantie en cas de défaut électrique. Le bris de verre et les ampoules, de même que les bruits et vibrations provoqués par une fixation inadéquate du support et/ou du dôme de verre ne sont pas inclus dans la garantie. Tout verre brisé ou défectueux au déballage devra être signalé à votre revendeur dans les 48 heures après l'achat.
5. La garantie inclut tous les défauts pouvant se présenter excepté les bruits du fonctionnement du moteur. Tous les moteurs électriques sont plus ou moins audibles. Prévoyez une période de stabilisation de l'appareil de 8 heures. Le ventilateur, particulièrement lorsqu'il est en bas réglage, peut être chaud au toucher – ceci n'est pas un défaut. De légères fluctuations du courant ou des signaux de fréquence (normaux pour tout appareil opéré en heures creuses) peuvent provoquer un changement de bruit du moteur.
6. Des éléments enfilés tels que des boulons peuvent légèrement se desserrer pendant l'utilisation. Veuillez les resserrer régulièrement afin d'éviter tout bruit anormal.
7. À modèle identique, une différence mineure de vitesse pourra être constatée entre ventilateurs. Ceci n'est pas un défaut de produit et n'est pas couvert par la garantie.
8. Les pales ne sont pas incluses dans la garantie en cas de défaut de matériel. Toute pale brisée ou défectueuse au déballage devra être signalée dans les 48 heures après l'achat à votre revendeur, qui vous fera parvenir un remplacement. Chaque pale étant équilibrée, il est important dans un tel cas de remplacer toutes les pales. Les pales endommagées par les conditions climatiques ou la maintenance ne sont pas couvertes par la garantie.



## FELICITACIONES POR SU COMPRA

Felicitaciones por la compra de lo más reciente en ventiladores de techo de ahorro energético. Este ventilador funciona con corriente continua (CC) que le proporciona el beneficio de ser súper eficiente energéticamente mientras mantiene al mismo tiempo un alto volumen de movimiento de aire y un funcionamiento silencioso.

**Ahorro Energético** – El motor de CC es la última tecnología en diseño de ventiladores. Su motor, altamente eficiente, ahorra hasta un 65% más de energía que los ventiladores con motores tradicionales de Corriente Alterna (CA)

**Funcionamiento silencioso** – El motor de CC de este ventilador está programado con una corriente estabilizada que reduce el ruido eficientemente.

**Baja temperatura de funcionamiento** – La Corriente Continua se gestiona eficazmente lo que reduce la temperatura de funcionamiento del motor a menos de 50 grados. Esto resulta en un motor mucho más frío que un ventilador estándar de CA y aumenta la longevidad del motor.

**Mando a distancia de 6 velocidades** – Generalmente, los ventiladores normales de Corriente Alterna incorporan tres velocidades, este ventilador de CC va dotado de un mando a distancia con 6 velocidades, lo que proporciona mayor variedad de elección de niveles de confort.

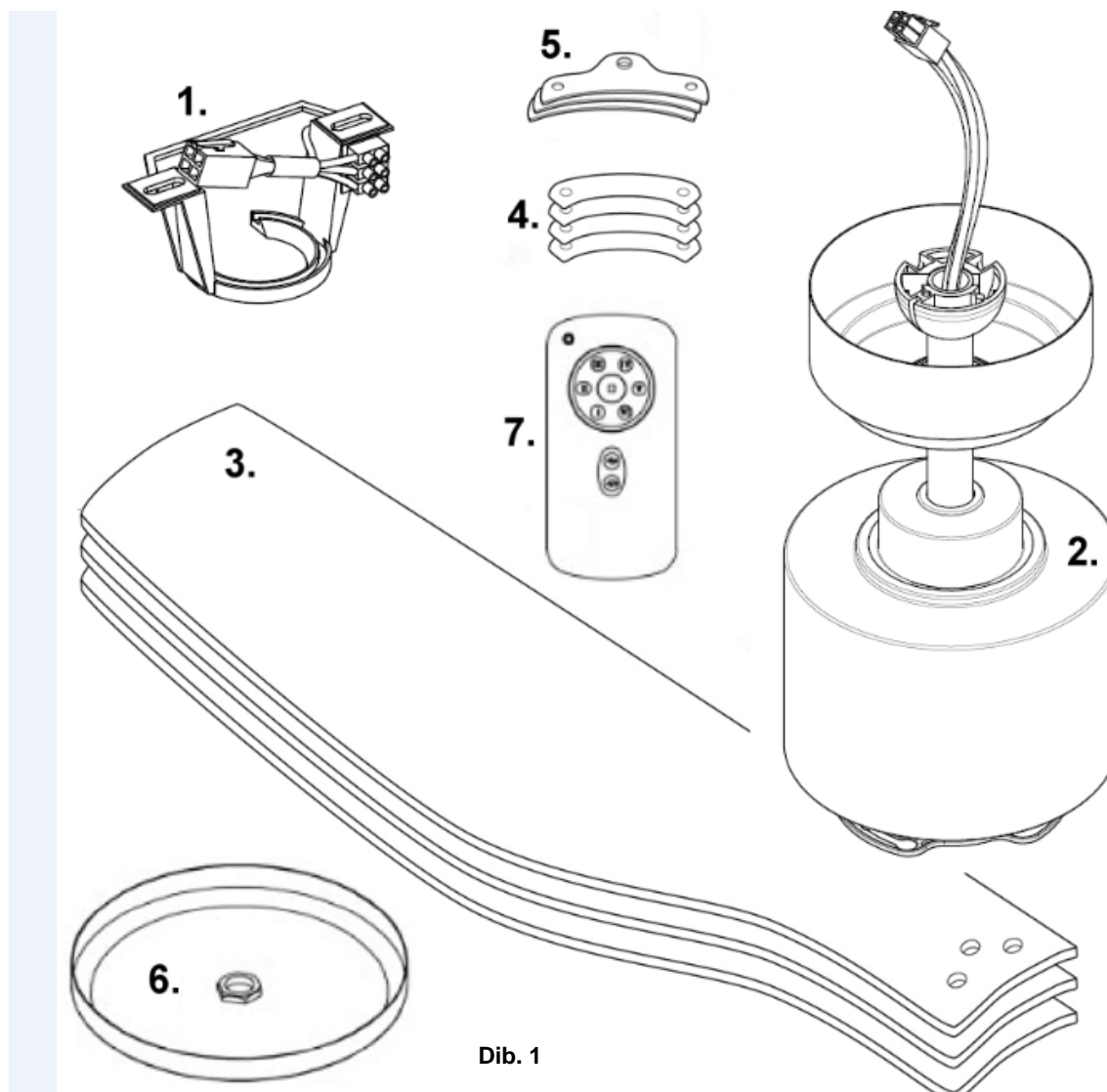
## PRECAUCIONES DE SEGURIDAD

- 1) Este aparato NO está concebido para ser utilizado por personas (incluyendo niños) con capacidades físicas, sensoriales o mentales reducidas, o falta de experiencia y conocimiento, a menos que hayan sido supervisados o instruidos sobre el uso del aparato por una persona responsable de su seguridad.
- 2) Los niños deberán ser vigilados para asegurarse de que no juegan con el aparato.
- 3) Deberá incluir un interruptor de desconexión omnipolar en el cableado fijo conforme a las normas de cableado.
- 4) No deseche los aparatos eléctricos junto con los residuos municipales sin clasificar, utilice instalaciones de recogida selectiva. Póngase en contacto con las autoridades locales para obtener información sobre los sistemas de recogida disponibles. Si los aparatos eléctricos son desechados en vertederos o basureros a cielo abierto, las sustancias peligrosas pueden filtrarse en las corrientes de agua subterránea e introducirse en la cadena alimentaria, dañando su salud y bienestar.
- 5) La estructura en la que el ventilador va a ser montado deberá poder soportar un peso de 30kg.
- 6) En Europa, el ventilador deberá montarse de forma que las aspas estén por lo menos a una altura de 2,3 metros sobre el suelo.
- 7) En Australia, el ventilador deberá montarse de forma que las aspas estén por lo menos a una altura de 2,1 metros sobre el suelo.
- 8) El ventilador ha sido diseñado solo para uso en interiores. El montar el ventilador en una ubicación donde esté sometido al agua o la humedad es peligroso.
- 9) La instalación solo deberá ejecutarla un electricista autorizado.



## ANTES DE INSTALAR

Desempaque su ventilador y compruebe el contenido. Deberá tener lo siguiente:



Dib. 1

- |   |                                                                                                          |    |                                                     |
|---|----------------------------------------------------------------------------------------------------------|----|-----------------------------------------------------|
| 1 | Soporte de montaje x 1                                                                                   | 7  | Transmisor remoto con soporte de x 1 juego          |
| 2 | Conjunto de ventilador con la cubierta de la suspensión, barra inferior, cobertura de la copa y copa x 1 | 8  | Tornillos adicionales del motor x 1 (no se muestra) |
| 3 | Paletas x 3                                                                                              | 9  | Tornillo de madera x 2 (no se muestra)              |
| 4 | Fibra de paletas x 3                                                                                     | 10 | Juego de balancines x 1 juego (no se muestra)       |
| 5 | Juego de soporte de la paleta x 3                                                                        | 11 | Tornillo para soporte remoto x 2 (no se muestra)    |
| 6 | Cubierta inferior x 1                                                                                    | 12 | Batería de 12 V para el remoto x 1 (no se muestra)  |

## HERRAMIENTAS NECESARIAS

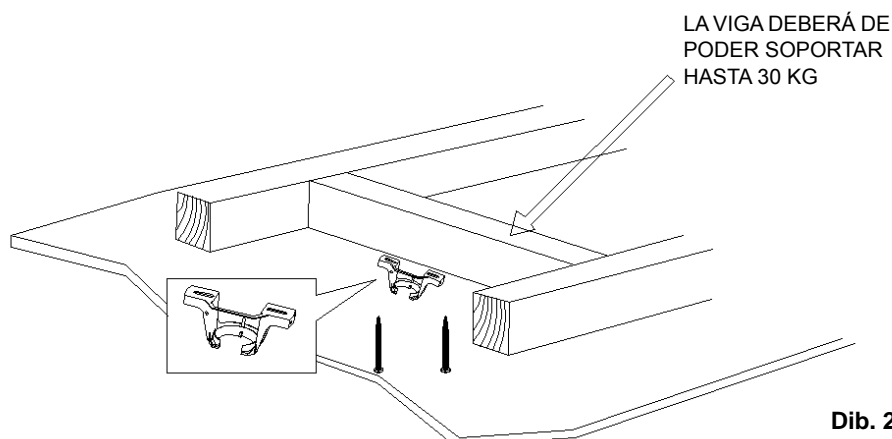
### HERRAMIENTAS NECESARIAS:

- Destornillador Phillips / de cabeza plana
- Alicates
- Llave Inglesa
- Escalera
- Alicates de cortar
- Cableado, cable de alimentación según requieran los códigos y reglamentos de cableado provinciales y nacionales.

## INSTALAR EL SOPORTE DE MONTAJE

El ventilador deberá ser instalado en una ubicación de forma que las aspas estén a una distancia de 300mm desde el extremo de la aspa al objeto mas cercano o paredes.

Asegure el soporte de suspensión a la viga de techo o a una estructura capaz de soportar una carga de al menos 30KG, con los dos tornillos largos suministrados. Asegúrese de que al menos 30mm del tornillo están roscados en el soporte.

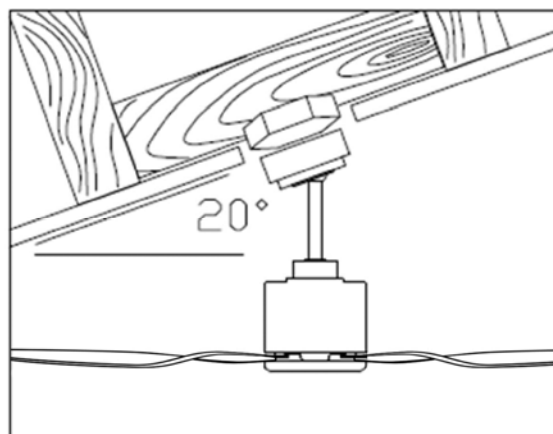


NOTA: EL DIBUJO ES SOLO DE REFERENCIA Y NO REPRESENTA EL SOPORTE ACTUAL

**NOTA: Los tornillos del soporte suministrados solo son para utilizar en estructuras de madera. Para otras estructuras que no sean madera, DEBERAN utilizarse el tipo de tornillos adecuados.**

### Instalación en techos inclinados

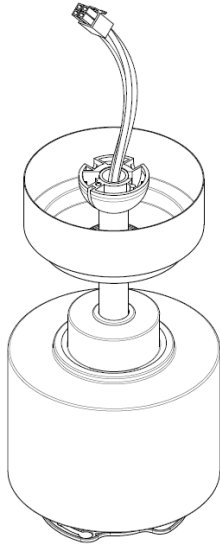
Este sistema de ventilador colgante soporta un máximo de 20 grados en instalaciones de techo inclinado



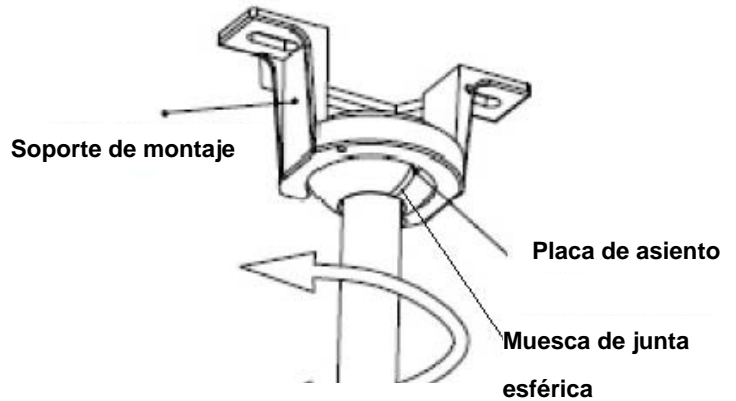
# COLGAR EL MÓDULO DE MOTOR DE VENTILADOR

## Instalar la Barra Descendente

- Levante el módulo de ventilador sobre el soporte de montaje, Dibujo 4.
- Asegúrese de que la muesca de la junta esférica está colocada sobre la placa de asiento del soporte de montaje para evitar que ventilador gire cuando está en funcionamiento. Dibujo 5.



Dib. 4



Dib. 5

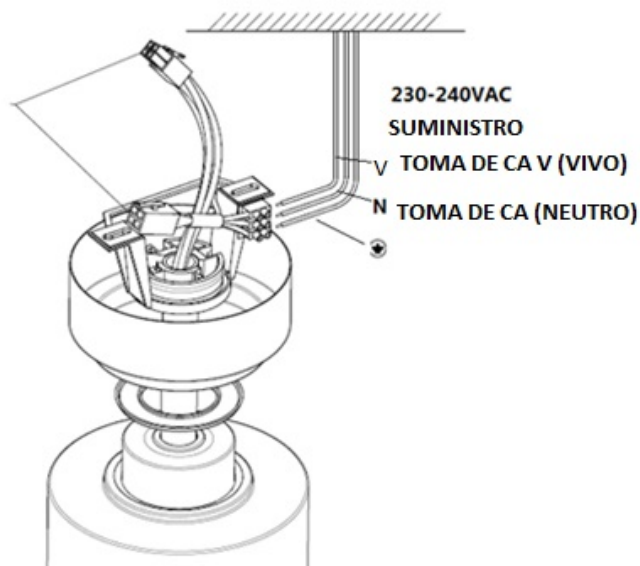
## PREPARE Y COMPLETE EL CABLEADO ELÉCTRICO DIAGRAMA DE CABLEADO (DIB. 6)

**ADVERTENCIA:** PARA SU SEGURIDAD, TODAS LAS CONEXIONES ELÉCTRICAS DEBERÁN SER LLEVADAS A CABO POR UN ELECTRICISTA AUTORIZADO.

**NOTA:** DEBERÁ INCLUIRSE UN INTERRUPTOR OMNIPOLAR ADICIONAL EN EL CABLEADO FIJO.

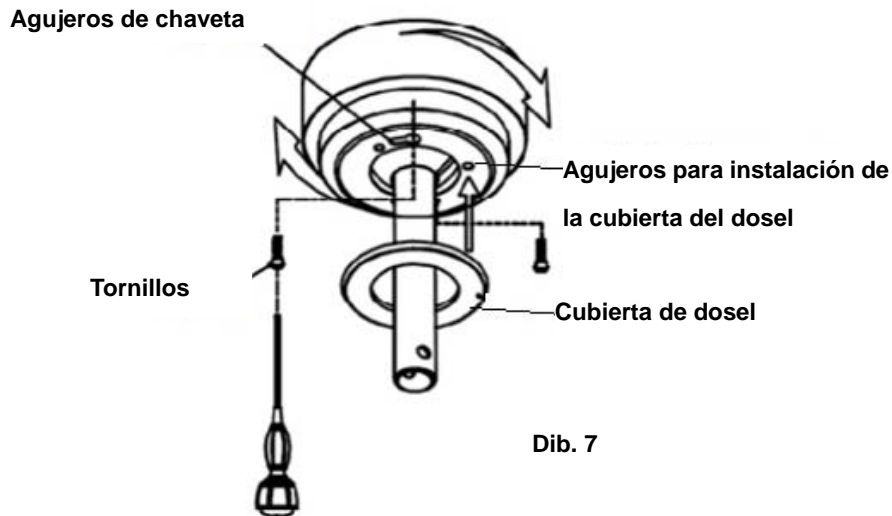
**NOTA:** SI HAY DOS O MÁS VENTILADORES DE CC DE TECHO INSTALADOS EN UNA UBICACIÓN, NECESITARÁ UN INTERRUPTOR DE AISLAMIENTO PARA CADA VENTILADOR DE TECHO. ESTO ES NECESARIO CUANDO programe el emparejamiento del mando y receptor.

Dib. 6



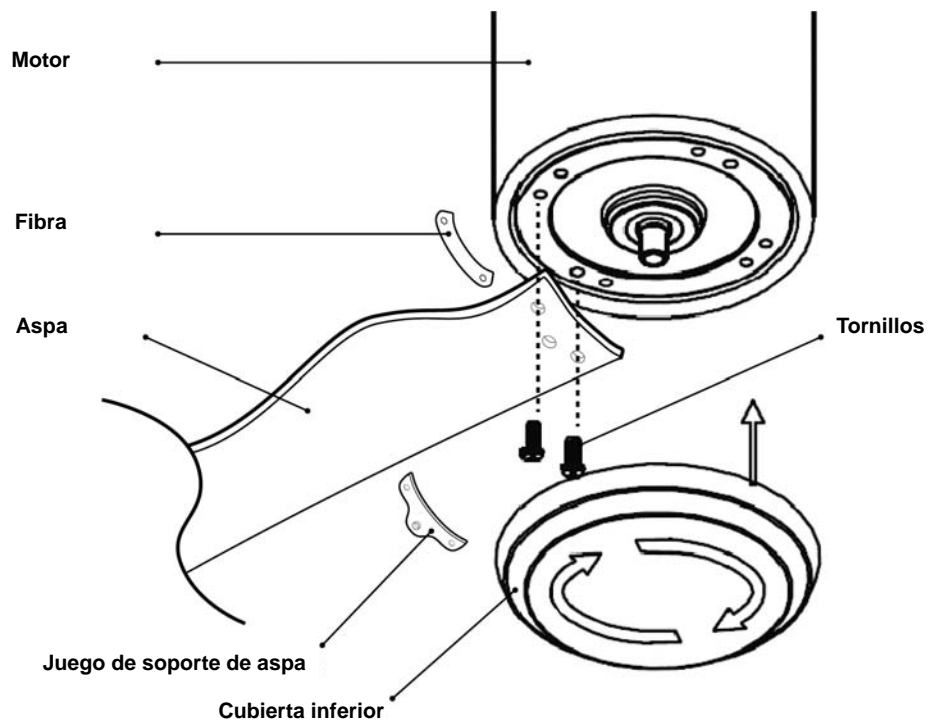
## INSTALAR LA CUBIERTA DEL DOSEL

- Afloje 2 tornillos de la parte inferior del soporte de montaje.
- Deslice la cubierta hacia el soporte de montaje y coloque el agujero de chaveta del dosel sobre el tornillo del soporte de montaje, gire el dosel hasta que encaje posición en la sección estrecha de los agujeros, asegúrelo apretando los dos tornillos de fijación. Evite dañar el cableado eléctrico preparado previamente.
- Finalmente, coloque la cubierta del dosel en el dosel y asegúrela presionando las lengüetas en los agujeros.



## INSTALACIÓN DE LAS ASPAS

- El Inserte los tornillos de aspas a través del modulo de aspas que consiste en las siguientes piezas, juego de soporte, aspa y fibra. Coloque el modulo de aspas al motor y asegúrelo apretando los 2 tornillos. Dib. 11
- Repita el procedimiento para instalar las otras aspas.
- Finalmente instale la cubierta inferior al eje del motor roscándola en sentido horario.



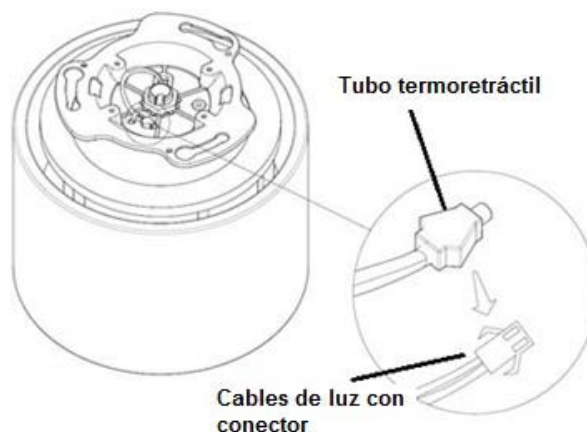
Dib. 8

## Instalación de KIT de LUZ (kit de luz - opcional)

Nota: El kit de luz debe ser instalado por un electricista autorizado.

NOTA: El juego de luces está disponible para los modelos de ventilador de techo seleccionados y como un juego de luces opcional.

1. Retire la cubierta inferior del eje.
2. Retire el tubo encogible del conector los cables de luz.
3. Para la instalación del kit de luz, por favor consulte la guía de usuario de instalación del kit de luz.



Dib. 9

## UTILIZAR SU VENTILADOR DE TECHO CON MANDO A DISTANCIA

### Emparejar el Mando a Distancia y el Receptor – cuando hay instalados 2 o mas ventiladores de CC en una misma ubicación

Cuando dos o más ventiladores se encuentran cerca unos de otros, tal vez desee tener un receptor / mando a distancia para cada ventilador configurado a un código diferente, de forma que el funcionamiento de un ventilador no afecte al funcionamiento de los otros ventiladores.

Los interruptores DIP para el mando a distancia están ubicados en el compartimento de pilas del mando. Configurar los interruptores DIP permitirá la transmisión de un código único asignado a cada ventilador de techo.

NOTA: Cuando utilice la función de código DIP, asegúrese de que ha instalado un interruptor de desconexión omnipolar en el cableado fijo para cada ventilador.

NOTA: Asegúrese que el Receptor está **ENCENDIDO** antes de emparejar el mando a distancia con el receptor.

#### **Emparejamiento del Mando a Distancia/Receptor para el ventilador 1:**

- Desconecte la corriente de los receptores de ambos ventiladores 1 y 2.
- Deslice la tapadera del compartimento de pilas del mando para acceder a los interruptores DIP. Este será mando transmisor 1.
- Cambie la posición de los interruptores DIP del mando transmisor 1, de forma que sean diferentes del mando transmisor 2. Dib.13
- Instale una pila de 12V CC en el compartimento. Asegúrese que las polaridades de la pila son correctas.
- Conecte la corriente al receptor 1. Mantenga DESCONECTADO el receptor 2. (Cada ventilador de techo deberá incorporar su propio interruptor aislado, de forma que solamente el ventilador que necesita ser emparejado con el transmisor estará CONECTADO a la corriente).
- Pulse y mantenga presionado el botón SET (CONFIGURACIÓN) del **transmisor 1** durante 6 segundos dentro de los 60 segundos de haber dado la corriente al receptor del Ventilador de Techo 1.
- Ahora el transmisor deberá estar emparejado con el receptor del ventilador 1. ENCIENDA/APAGUE o cambie la velocidad del ventilador 1 por medio del mando transmisor para comprobar su funcionamiento.

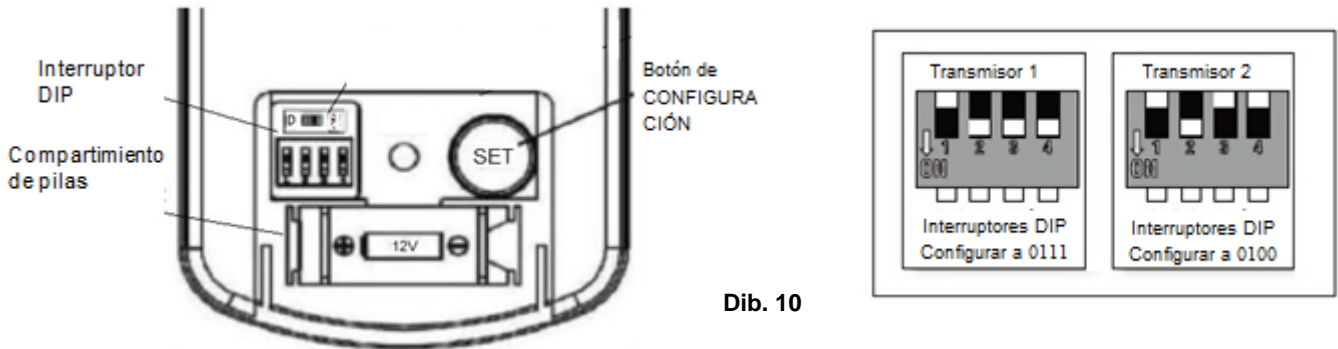
#### **Configuración del Ventilador 2:**

- Desconecte la corriente de los receptores de ambos ventiladores 1 y 2.
- Deslice la tapadera del compartimento de pilas del mando para acceder a los interruptores DIP. Este será mando transmisor 2.
- Cambie la posición de los interruptores DIP del mando transmisor 2, de forma que sean diferentes del mando transmisor 1. Dib.12



- Instale una pila de 12V CC en el compartimiento. Asegúrese que las polaridades de la pila son correctas.
- Conecte la corriente al receptor 2. Mantenga DESCONECTADO el receptor 1. (Cada ventilador de techo deberá incorporar su propio interruptor aislado, de forma que solamente el ventilador que necesita ser emparejado con el transmisor estará CONECTADO a la corriente).
- Pulse y mantenga presionado el botón SET (CONFIGURACIÓN) del **transmisor 2** durante 6 segundos dentro de los 60 segundos de haber dado la corriente al receptor del Ventilador de Techo 2
- Ahora el transmisor deberá estar emparejado con el receptor del ventilador 2. ENCIENDA/APAGUE o cambie la velocidad del ventilador 2 por medio del mando transmisor para comprobar su funcionamiento.

**Nota: El emparejamiento del Transmisor y Receptor no es necesario si solo se instala un Ventilador de techo. Cuando se instalen dos o más ventiladores cerca el uno del otro, por favor siga las instrucciones arriba indicadas.**



### Botones del Mando a Distancia

① - BOTÓN DE CONTROL DE VELOCIDAD DEL VENTILADOR:

Hay 6 velocidades disponibles. Botón ① para la velocidad mínima y botón ⑥ para la velocidad máxima.

NOTA: CUANDO ENCIENDA EL VENTILADOR POR PRIMERA VEZ O CONECTE LA CORRIENTE AL RECEPTOR, NECESITARÁ INICIAR EL VENTILADOR CON LA VELOCIDAD MÁXIMA “⑥” Y LUEGO SELECCIONAR UNA VELOCIDAD MENOR.

SE NECESITAN DE 5 A 10 SEGUNDOS PARA PERMITIR QUE EL VENTILADOR DE CC RESPONDA A LA SELECCIÓN DE CADA VELOCIDAD O DIRECCIÓN DE VENTILADOR DESDE EL MANDO AL DISTANCIA, YA QUE EL VENTILADOR DE CC INCORPORA UN CONTROL SENSOR QUE CONTROLA EL MOTOR.

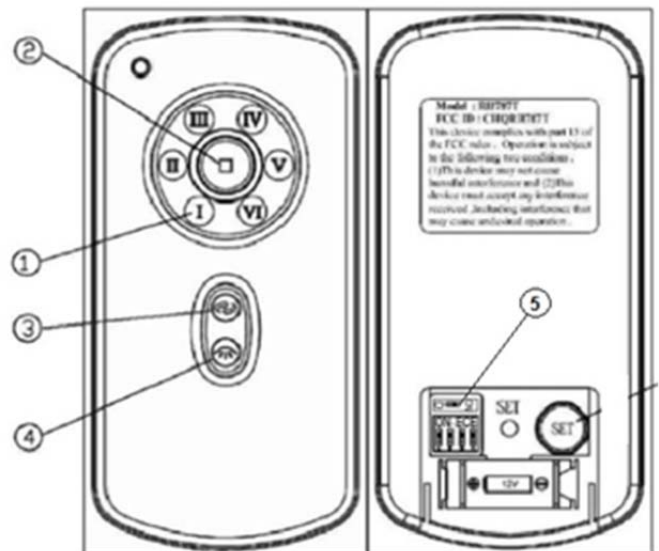
② - BOTÓN DE APAGADO DE VENTILADOR:

Pulse el botón para apagar el ventilador

③ - BOTÓN DE FUNCIÓN REVERSA:

Pulse el botón para activar la función de cambio de dirección de funcionamiento. El ventilador deberá de estar en

Dib. 11



funcionamiento para activar la función de cambio de dirección.

#### ④- BOTÓN DE CONTROL DE LUZ:

Pulse el botón para apagar y encender la luz.

EL RECEPTOR PROPORCIONA LOS SIGUIENTES NIVELES DE PROTECCIÓN CONTRA.

- Posición de bloqueo: el receptor incorpora una característica de seguridad para proteger contra obstrucciones durante el funcionamiento. El motor se parará y se desconectará de la red después de 30 segundos de interrupción. Por favor, elimine los obstáculos antes de volver a comenzar. Para reiniciar, simplemente desconecte la fuente de alimentación del motor del ventilador y vuelva a reiniciar.
- Más protección 80W: cuando el receptor detecta un consumo de energía superior a 80W, la corriente del receptor será interrumpida y el funcionamiento se parará inmediatamente. Encienda el receptor después de 5 segundos para reiniciar el ventilador. Conecte la corriente del receptor después de 5 segundos para reiniciar el ventilador.

## RECONFIGURACIÓN DEL EMPAREJAMIENTO DEL RECEPTOR Y DEL MANDO A DISTANCIA.

Si el mando a distancia y el receptor perdiesen el control después de la instalación o durante el uso, deberá volver a reconfigurar el emparejamiento entre mando y el receptor. A continuación se indican los síntomas de funcionamiento y métodos para reconfigurar el emparejamiento del mando a distancia y receptor del ventilador.

#### Problemas:

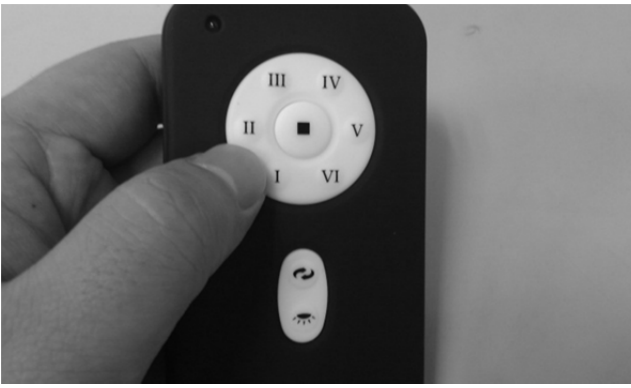
- Pérdida de control – El ventilador solo funciona al máximo después de la instalación
- Pérdida de control – La función de cambio de dirección no funciona después de la instalación.
- Pérdida de control – el mando a distancia no se comunica con el receptor.

#### Solución:

Si el ventilador funciona continuamente con la velocidad máxima, quiere decir que la instalación del cableado es correcta. Cuando el ventilador solo funciona al máximo, o no funciona en la función de cambio de dirección o con cualquier otro comando, se recomienda comprobar el emparejamiento entre el mando y el receptor. Por favor siga los pasos indicados a continuación:

- A. Retire la tapadera del compartimiento de pila del mando, compruebe la zona de la pegatina 434MHz, asegúrese de que la pila está instalada correctamente y que el indicador de luz LED está parpadeando, esto significa que el mando funciona correctamente.





- B. Desconecte la corriente del receptor durante más de 30 segundos y vuelva a conectarla. Pulse y mantenga presionado el botón de configuración “SET” del **mando a distancia** durante 6 segundos dentro de los 60 segundos de haber dado la corriente al receptor.



- C. Pulse los botones del mando a distancia para operar el ventilador. Generalmente, el llevar a cabo los pasos A, B y C deberá reparar el mando y receptor, y permitir el control completo del ventilador. De no ser así, por favor siga el siguiente paso.
- D. Los interruptores DIP de los ventiladores están configurados con los ajustes de fábrica, todos hacia arriba. Puede cambiar los interruptores DIP a cualquier posición de las 16 opciones. (Ej. arriba, arriba, abajo, abajo).



- E. Por favor, repita los pasos (A)~(C) para comprobar la función.

Si los problemas persisten después de seguir los pasos (A) a (D), y todavía no hay control, entonces por favor

contacte con el número de la línea de servicio al cliente de Lucci o con el detallista de productos Beacon Lighting mas cercano para obtener nuevo mando a distancia o transmisor.

**Nota:** Para su seguridad, el receptor nuevo deberá de ser instalado por un electricista autorizado.

**Nota:** Mientras la reparación del remoto y del receptor del ventilador de techo de CC se encuentra en proceso, el ventilador funciona automáticamente a velocidad alta con el modo REVERSO durante 90 segundos, y luego trabaja con el modo DIRECTO durante 90 segundos. Durante el proceso de ajuste, no pulse ninguna tecla del mando a distancia.

## SOLUCIÓN DE PROBLEMAS DE BALANCE Y OSCILACIÓN

Por favor tome nota de que todos los ventiladores de techo son diferentes, incluso en el mismo modelo – algunos pueden moverse más o menos que otros. El movimiento de un par de centímetros es bastante aceptable y no sugiere que el ventilado se vaya a caer

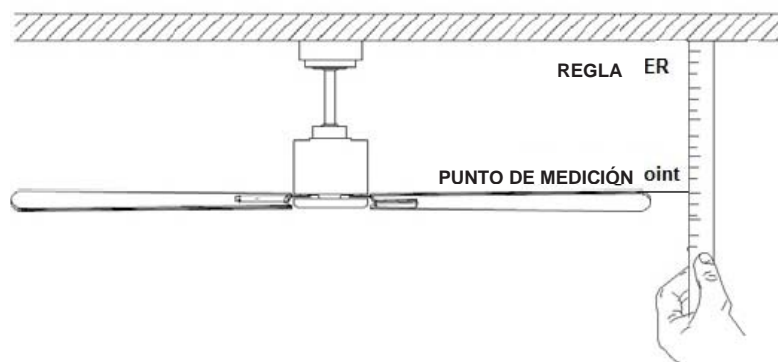
A pesar de que todas las cuchillas son pesadas y agrupadas por peso, es imposible eliminar la oscilación por completo. Esto no se debe considerarse un defecto. Los ventiladores de techo tienden a moverse durante el funcionamiento debido a que por lo general no están montados rígidamente.

Podrá tomar las siguientes medidas para reducir la oscilación

- 1) Compruebe que todos los tornillos de montaje de las aspas están apretados firmemente y con seguridad.
- 2) Los problemas de oscilación pueden ser resultado de un nivel inconsistente de las aspas. Para comprobar el nivel de las aspas, mida la distancia desde cada extremo de aspa hasta el techo.

Nota: Si las medidas son inconsistentes:

- Compruebe que los tornillos de montaje de las aspas no están demasiado apretados o flojos, que pueden causar que los extremo de las aspas no estén todos al mismo nivel;
  - Un aspa deformada puede causar oscilaciones, compruebe retirando el aspa y colocándola en una superficie lisa. Un aspa en buenas condiciones estará uniformemente plana sobre la superficie.
- 3) La comprobación de las aspas puede llevarse a cabo simplemente con una regla como se muestra en el dibujo inferior. Coloque la regla verticalmente en el techo y nivelada con el extremo exterior del aspa. Tome nota de la distancia del extremo del aspa. Gire las aspas lentamente para comprobar que el resto de las aspas están a la misma distancia. Si un aspa no está alineada, quiere decir que está doblada o deformada, o los tornillos no están uniformemente apretados o están flojos.



Dib. 12

### JUEGO DE BALANCE

- 1) Se incluye un juego de balance para nivelar el ventilador en la instalación inicial. Por favor consulte las instrucciones sobre como utilizar el Juego de Balance, incluido.

- 2) El juego de balance puede utilizarse para volver a nivelar el ventilador de techo si este se desequilibra con el paso del tiempo. No tire el juego de balance. Consérvelo para su posible uso futuro.

## **CUIDADOS DEL VENTILADOR E INFORMACIÓN SOBRE LA GARANTÍA**

### **CUIDADO Y LIMPIEZA**

- La limpieza periódica de su ventilador es el único mantenimiento requerido. Utilice un cepillo o paño sin pelusa para evitar rayar el acabado de pintura/chapado. Por favor asegúrese de que su ventilador no está conectado a la red cuando lo limpie.
- NO utilice agua al limpiar el ventilador de techo. Puede dañar el motor o las aspas y crear la posibilidad de descarga eléctrica.

## **SERVICIO DE GARANTÍA**

La garantía del fabricante cubre los fallos reales que puedan surgir, pero NO las quejas menores, ej. ruido del motor en marcha– TODOS LOS MOTORES ELECTRICOS SON AUDIBLES HASTA CIERTO PUNTO.

**CLIENTES DE AUSTRALIA/NUEVA ZELANDA** – Por favor refiérase a la DECLARACIÓN DE GARANTÍA independiente.

**CLIENTES EUROPEOS** – Por favor contacte al detallista donde adquirió el ventilador para servicio de garantía.

## **OSCILACIÓN**

- Los ventiladores de techo tienden a moverse durante el funcionamiento debido a que por lo general no están montados rígidamente – Si lo fueran, podrían generar una vibración excesiva en el techo y generar tensión en sus soportes.
- Movimiento de un par de centímetros es bastante aceptable y no sugiere que el ventilador se vaya a caer.
- Los ventiladores de techo están montados de forma muy segura en soportes de acero con amortiguadores de goma o con juntas esféricas, que permiten un movimiento libre.
- Por favor tome nota de que todos los ventiladores de techo son diferentes, incluso en el mismo modelo – algunos se moverán más o menos.

## **DESGASTE NORMAL**

Los componentes roscados ligeramente aflojados o los soportes de aspas ligeramente doblados debido a la limpieza profunda o golpes pueden causar una oscilación adicional y ruido. ESTO NO ESTÁ CUBIERTO POR LA GARANTÍA – pero un poco de cuidado y mantenimiento pueden evitar este problema.

## **RUIDOS EN LA NOCHE**

Esto está fuera de la garantía del fabricante. Si un ventilador tiene un defecto, éste será perceptible en todo momento. Naturalmente, cuando todo está silencioso por la noche, usted estará más inclinado a escuchar ruidos ligeros, que pasarían desapercibidos en otro momento. Incluso leves fluctuaciones de corriente y las señales de frecuencia de la red superpuestas en el suministro de electricidad pueden causar cambios en el ruido del motor, esto es normal.

## **LUZ DEL VENTILADOR**

Excepto por un fallo actual en la fabricación, que son extremadamente raros. LAS LUCES Y LOS GLOBOS DEL VENTILADOR NO ESTÁN INCLUIDOS EN LA GARANTÍA DEL VENTILADOR. Ruidos, vibraciones, etc., son generalmente más acentuados cuando se incorporan luces al ventilador.

Por ejemplo, el cristal de una luz del ventilador que no ha sido ajustado o se ha aflojado puede causar traqueteos. Una vez más, esto se reducirá con cuidados y mantenimiento adecuado.

# LISTA DE SOLUCIÓN DE PROBLEMAS

Compruebe siempre las “Lista de Solución de Problemas” incluida en este folleto antes de llamar al servicio técnico. Las llamadas innecesarias son inconvenientes y pueden llevar un coste de servicio.

**Para su seguridad, asegúrese de que el ventilador está APAGADO antes de llevar a cabo cualquier procedimiento de solución de problemas.**

PROBLEMA	CAUSA PROBLABLE	SOLUCIÓN PROPUESTA
1. El ventilador no se enciende. (Advertencia: Debe APAGAR el ventilador y tal vez necesite la asistencia de un electricista registrado)	A. El fusible o disyuntor está fundido.	Compruebe los fusibles y disyuntores del circuito general y ramal.
	B. Conexión eléctrica del ventilador floja (normalmente ocurre durante la instalación).	Compruebe las conexiones eléctricas del ventilador. Deberá llevarse a cabo por un electricista registrado.
	C. No hay reacción del transmisor a distancia (mando)	- Las pilas están flojas. Reemplace las pilas. - Compruebe que el transmisor correcto está emparejado con el receptor.
	D. ENCIENDA el ventilador mediante el interruptor de corriente.	Compruebe si hay corriente en el ventilador.
2. El Ventilador Oscila (Vea la sección del manual “Oscilación” para más información)	A. Las aspas del ventilador no están horizontales al techo.	Vea la sección del manual “ajuste de oscilación”. - Tal vez necesite ajustar los tornillos de montaje de aspas; - El aspa está deformada. Necesitará reemplazar las aspas por un juego de aspas nuevo. Contacte al detallista para más información.
	B. Tornillos de las aspas del ventilador flojos.	Asegúrese que todos los tornillos están firmemente ajustados.
	C. Aspa(s) deformada(s)	Retire el aspa y colóquela sobre una superficie plana para comprobar si las aspas están deformadas. Contacte al detallista para más información.
3. El ventilador hace ruido	A. El dosel superior roza el techo.	Baje el dosel del techo para asegurar un mínimo de separación de 3mm.
	B. Tornillos de las aspas del ventilador están flojos.	Vuelva a apretar todos los tornillos de las aspas del ventilador, pero no los apriete demasiado.
	C. El ventilador no está asegurado firmemente al techo.	Vuelva a apretar todos los tornillos del soporte o placa de montaje.
	D. Control de velocidad incorrecto.	Cambie el control por el suministrado (Deberá realizarse por un Electricista Autorizado)
4. Ruido mecánico	A. Permita al menos 8 horas de periodo de asentamiento.	
5. La luz no se ENCIENDE (SOLOS juego de luces opcional)	El globo/bombilla ha fallado.	Reemplace el globo/bombilla

**ADVERTENCIA: EL VENTILADOR DE TECHO DEBERÁ DE APAGARSE ANTES DE LLEVAR A CABO CUALQUIER PROCEDIMIENTO DE SOLUCIÓN DE PROBLEMAS.**

## NOTAS PARA LOS INSTALADORES

- Todos los motores eléctricos, incluidos los ventiladores, hacen ruido y pueden sentirse calientes al tacto – esto no es un fallo.
- Algunos ventiladores oscilan más que otros – incluso en el mismo modelo.
- Las luces del ventilador pueden hacer ruido, pero no están cubiertas por la garantía.
- El control de pared del ventilador podrá emitir un ligero ruido y calentarse, especialmente en el ajuste mínimo. Estos hechos no están cubiertos por la garantía del fabricante.

## INFORMACIÓN TÉCNICA

SERIES DE VENTILADOR CC AIRFUSION CLIMATE modelos	Voltaje Nominal	Potencia Nominal (motor)	Pila para el mando
LD52BN,LD52WH LD52CC,LD52AB	220-240VAC	35W	1 x 12V 23AE

## WARRANTY CONDITIONS

**IN AUSTRALIA / NEW ZEALAND CUSTOMER** – Please refer to the separated WARRANTY STATEMENT.

**EN EUROPA** – Si usted es un Cliente europeo, por favor póngase en contacto con el comercio donde adquirió el ventilador para el servicio de garantía.

La garantía de este producto cubre fallos por defectos eléctricos del material o por la calidad de fabricación en condiciones normales de utilización doméstica/residencial durante 24 meses desde la fecha de compra.

1. Instalación realizada por un electricista cualificado.

La garantía solo se aplica si la instalación del ventilador de techo ha sido efectuada por un electricista cualificado. Los problemas que surjan a raíz de una instalación incorrecta no están cubiertos por la garantía.

2. La garantía solo cubre durante 6 meses la pintura o el acabado en chapa del ventilador de techo.

3. El servicio de garantía no cubre lo siguiente:

a. Reparación de fallos causados por accidente, fuego, uso incorrecto, alteraciones, modificación, negligencia, instalación/manejo incorrecto o incompleto, intentos de reparación del ventilador de techo por una persona no autorizada o casos fortuitos.

b. Las reclamaciones o daños en muebles, alfombras, paredes, estructura del techo u otras pérdidas como consecuencia directa o indirecta de un ventilador defectuoso.

4. La garantía cubre los fallos eléctricos de la instalación de iluminación. La garantía no cubre la rotura de cristales. Tampoco cubre las lámparas. La instalación de luces puede incrementar el ruido y las vibraciones, lo cual puede conducir al aflojamiento del cristal o de las conexiones y esto no está cubierto por la garantía. En caso de que haya cristales rotos o sin embalar, deberá notificárselo a su distribuidor local en un plazo de 48 horas a partir de la fecha de compra.

5. La garantía se aplica a los defectos reales que se puedan desarrollar. No cubre ruidos menores de funcionamiento. Todos los motores eléctricos generan un ruido perceptible. Deje que pasen al menos ocho horas de funcionamiento para que los cojinetes se asienten correctamente. El ventilador, especialmente en funcionamiento lento, puede parecer caliente al tacto. Esto no es un fallo. El ruido del ventilador puede variar debido a pequeñas fluctuaciones de energía de

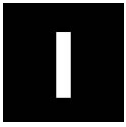
la red y a las señales de frecuencia para los aparatos con control de tarifa reducida.

6. Los componentes roscados como las tuercas de las aspas suelen aflojarse ligeramente durante el uso normal. Estas se deben apretar de forma regular para garantizar que el ventilador no genere ruidos durante el funcionamiento.

7. Se puede percibir cierta diferencia de velocidad entre los distintos ventiladores aunque pertenezcan al mismo modelo. Esto no es un fallo del producto ni está cubierto por la garantía.

8. La garantía no cubre defectos de material en las aspas. Si durante el desembalaje advierte que las aspas están rotas, deberá notificárselo a su distribuidor local en un plazo de 48 horas a partir de la fecha de compra, quien le hará llegar un nuevo juego de aspas. Cada juego de aspas está equilibrado, por lo que es importante sustituir todas las aspas juntas. La garantía no cubre las aspas que se vean afectadas por las condiciones climáticas y por las tareas de mantenimiento.





## COMPLIMENTI PER L'ACQUISTO

Congratulazioni per aver acquistato il più avanzato ventilatore a soffitto a risparmio energetico. Questo ventilatore funziona a corrente DC (corrente continua) pertanto ha il vantaggio di essere super efficiente dal punto di vista energetico, pur garantendo un elevato movimento di volume d'aria e un funzionamento silenzioso.

Risparmio energetico - Il motore DC è l'ultimo ritrovato tecnologico per la progettazione di ventilatori. Questo motore ad alta efficienza consente di risparmiare fino al 65% di energia rispetto ai tradizionali motori AC impiegati negli altri ventilatori a soffitto.

Funzionamento silenzioso - Il motore DC di questo ventilatore è programmato con una corrente stabilizzata che abbatta il rumore di funzionamento.

Bassa temperatura di esercizio - L'alimentazione DC è efficiente e mantiene la temperatura di funzionamento del motore al di sotto dei 50 °C. Ciò si traduce in un motore molto più freddo rispetto a un motore AC standard per ventilatore, con conseguenti vantaggi in termini di durata.

Telecomando a 6 velocità - Grazie al telecomando a 6 velocità (i ventilatori a soffitto AC tradizionali ne hanno solo 3 solitamente) questo ventilatore DC offre maggiori possibilità di scelta del livello di comfort.

## PRECAUZIONI DI SICUREZZA

- 1) Questo apparecchio NON è destinato ad essere utilizzato da persone (bambini compresi) con capacità mentali, sensoriali o fisiche ridotte, o mancanti dell'esperienza e della conoscenza necessarie, a meno che non siano sotto la supervisione di una persona responsabile della loro sicurezza.
- 2) I bambini devono essere tenuti sotto controllo per assicurarsi che non giochino con l'apparecchio.
- 3) La disconnessione onnipolare deve essere incorporata nel cablaggio fisso in conformità con le regole di cablaggio.
- 4) Non smaltire apparecchi elettrici come rifiuti indifferenziati urbani, ma utilizzare impianti di raccolta differenziata. Contattare le autorità locali per ottenere informazioni relative ai sistemi di raccolta disponibili. Se gli apparecchi elettrici vengono gettati in discarica, possono rilasciare sostanze pericolose che penetrano nelle falde acquifere e nella catena alimentare con grave danno per la salute.
- 5) La struttura alla quale viene montato il ventilatore deve poter sopportare un peso di 30kg.
- 6) Il ventilatore deve essere montato in modo che le pale siano ad almeno **2,3** metri dal pavimento, in Europa.
- 7) Il ventilatore deve essere montato in modo che le pale siano ad almeno **2,1** metri dal pavimento, in Australia.
- 8) Il ventilatore è progettato per funzionare esclusivamente all'interno delle mura domestiche. L'utilizzo in un ambiente soggetto ad acqua e umidità è pericoloso.
- 9) L'installazione deve essere effettuata solo da un elettricista autorizzato.



## PRIMA DELL'INSTALLAZIONE

Disimballare il ventilatore e verificare il contenuto. Il contenuto deve essere il seguente:

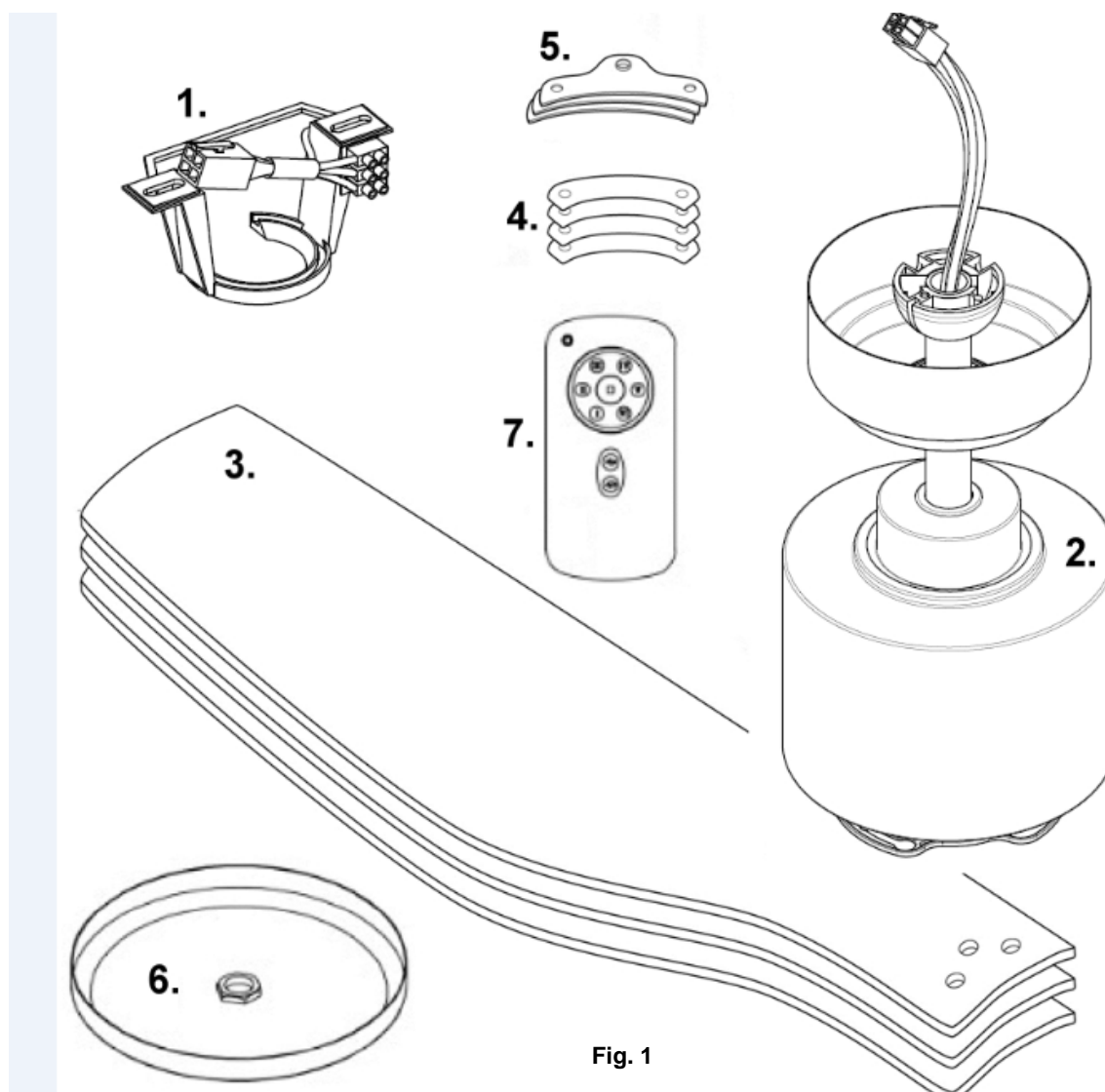


Fig. 1

- |   |                                                                                      |    |                                                   |
|---|--------------------------------------------------------------------------------------|----|---------------------------------------------------|
| 1 | Staffa di montaggio x 1                                                              | 7  | Telecomando con supporto x 1 set                  |
| 2 | Gruppo ventilatore con copri attacco, barra discendente, copri calotte e calotte x 1 | 8  | Viti extra per motore x 1 (non in figura)         |
| 3 | Pala x 3                                                                             | 9  | Viti di legno x 2 (non in figura)                 |
| 4 | Distanziatore per pala x 3                                                           | 10 | Bilanciatori x 1 set (non in figura)              |
| 5 | Sostegno per pala x 3                                                                | 11 | Vite per supporto telecomando x 2 (non in figura) |
| 6 | Coperchio inferiore x 1                                                              | 12 | Batteria 12V per telecomando x 1 (non in figura)  |

## STRUMENTI NECESSAR

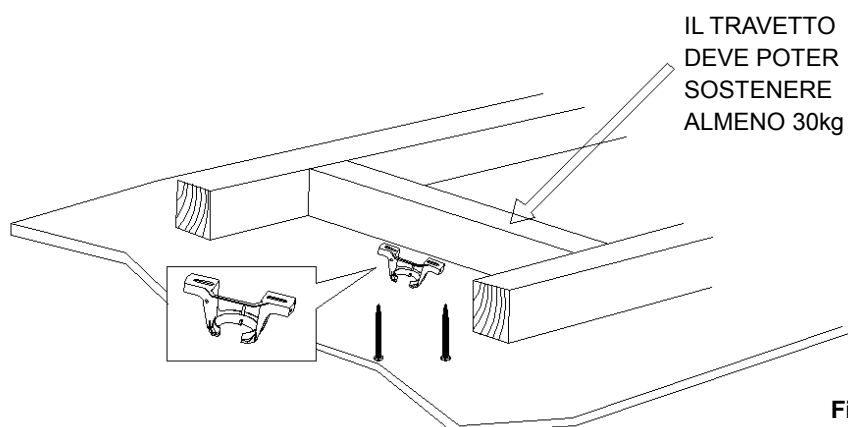
### STRUMENTI NECESSARI:

- Cacciavite a testa piatta / Phillips
- Paio di pinze
- Chiave inglese
- Scala a libro
- Pinza tagliafil
- Cavi elettrici conformi alle normative nazionali.

## INSTALLAZIONE DELLA STAFFA DI MONTAGGIO

Il ventilatore deve essere installato in una posizione tale da avere uno spazio libero di 300 mm tra la punta della pala e l'oggetto o parete più vicina.

Fissare la staffa di sostegno al travetto o altra struttura del soffitto che sia in grado di sostenere un carico di almeno 30KG, con le due viti lunghe in dotazione. Assicurarsi di avvitare le viti per almeno 30 mm nel supporto.

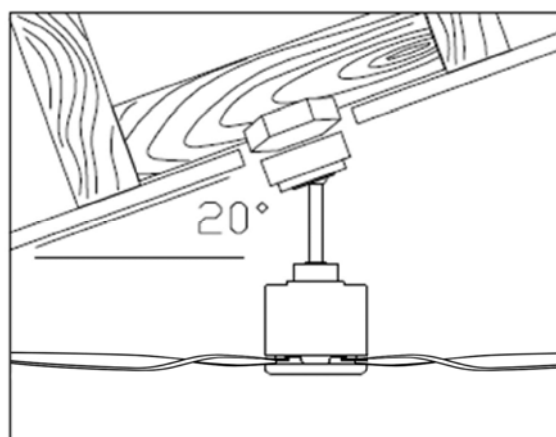


Nota: L'IMMAGINE È SOLO A SCOPO RAFFIGURATIVO E NON RAPPRESENTA IL SUPPORTO VERO E PROPRIO.

**NOTA: Le viti in dotazione per fissare la staffa sono destinate ad essere usate soltanto con strutture in legno. In caso di strutture non in legno, è NECESSARIO utilizzare viti appropriate.**

### Installazione su soffitto inclinato

Questo ventilatore può essere installato con un'inclinazione massima di 20° rispetto al soffitto.



## APPENDERE IL CORPO MOTORE DEL VENTILATORE

### Installazione dell'asta discendente

- Sollevare il corpo del ventilatore alla staffa di montaggio. Fig.4
- Assicurarsi che la tacca del giunto sia posizionata sullo stopper della staffa di montaggio per impedire al corpo del ventilatore di ruotare durante il funzionamento. Fig. 5

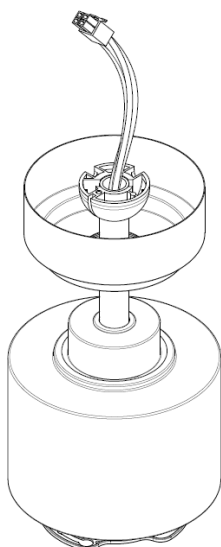


Fig. 4

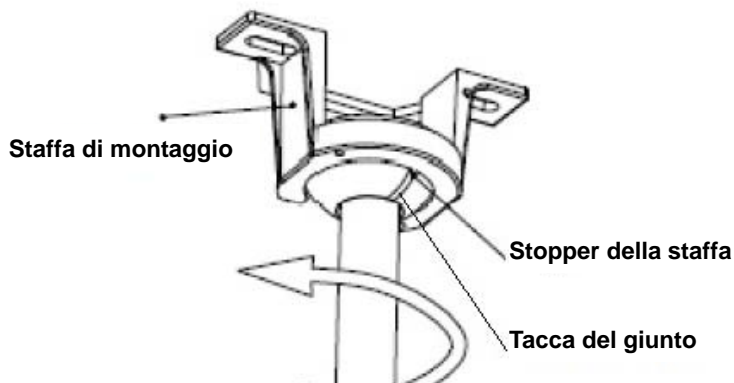


Fig. 5

## PREPARARE E COMPLETARE LO SCHEMA DI COLLEGAMENTO ELETTRICO (FIG. 6)

**ATTENZIONE:** PER RAGIONI DI SICUREZZA, IL COLLEGAMENTO ELETTRICO DEVE ESSERE EFFETTUATO DA UN ELETTRICISTA AUTORIZZATO.

**NOTA:** UN INTERRUTTORE DI DISCONNESSIONE ONNIPOLARE AGGIUNTIVO DEVE ESSERE INCORPORATO NEL CABLAGGIO FISSO.

**NOTA:** NEL CASO IN CUI SIANO PRESENTI DUE O PIÙ VENTILATORI A SOFFITTO A CORRENTE CONTINUA INSTALLATI NELLO STESSO AMBIENTE, È NECESSARIO UN INTERRUTTORE DI ISOLAMENTO PER OGNI VENTILATORE. CIÒ È NECESSARIO QUANDO SI PROGRAMMA IL TELECOMANDO E IL RICEVITORE PER ABBINARLI INSIEME.

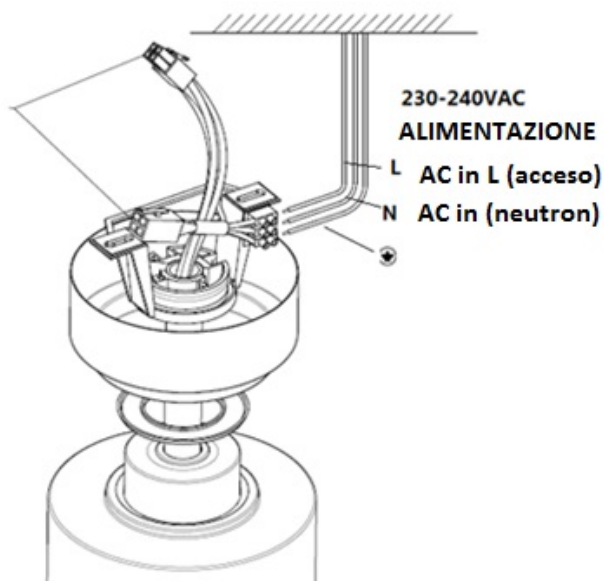


Fig. 6

## INSTALLAZIONE DEL COPERCHIO DELLA CALOTTA

- Allentare 2 viti dal fondo della staffa di montaggio.
- Far scorrere la calotta fino alla staffa di montaggio e posizionare i fori chiave sulla calotta in corrispondenza della vite sulla staffa di montaggio, quindi ruotare la calotta finché non si blocca in posizione nella sezione a freccia dei fori chiave e fissarla serrando le due viti. Evitare di danneggiare l'impianto elettrico preparato in precedenza.
- Infine fissare il coperchio della calotta alla calotta e bloccarlo spingendo le linguette nei fori.

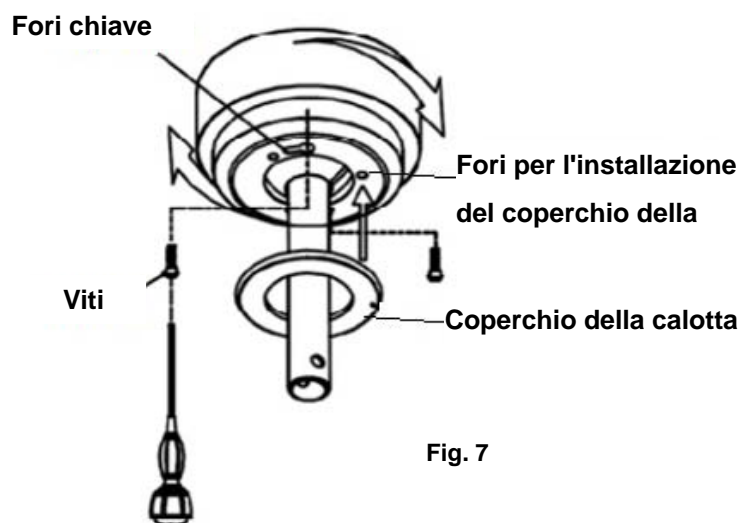


Fig. 7

## INSTALLAZIONE DELLE PALE

- Inserire le viti della pala rispettando il seguente ordine: kit staffa, pala e fibra. Fissare la pala al motore serrando le 2 viti. Fig. 11
- Ripetere per installare le altre pale.
- Infine, installare il coperchio inferiore all'albero del motore facendolo ruotare in senso orario.

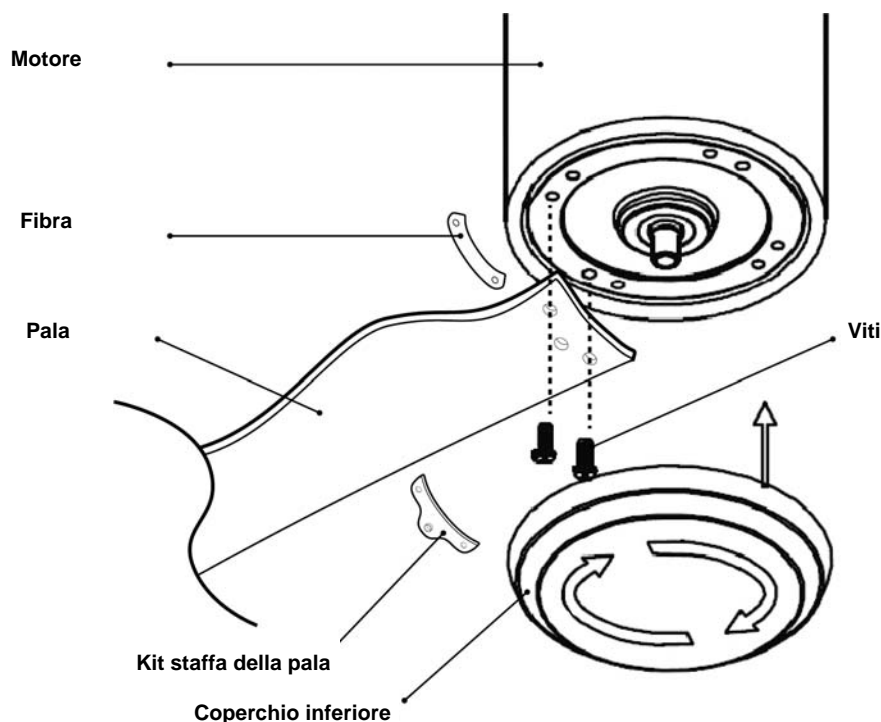


Fig. 8

## Installazione kit LUCE (kit luce opzionale)

Nota: il kit luce deve essere installato da un elettricista qualificato.

NOTA: il kit luce è disponibile per dei modelli selezionati di ventilatori da soffitto e come kit luce opzionale.

1. Rimuovere il coperchio inferiore dall'asta.
2. Rimuovere il tubo restringibile bile dai connettori elettrici.
3. Per l'installazione del kit luce fate riferimento al manuale installazione del kit luce.

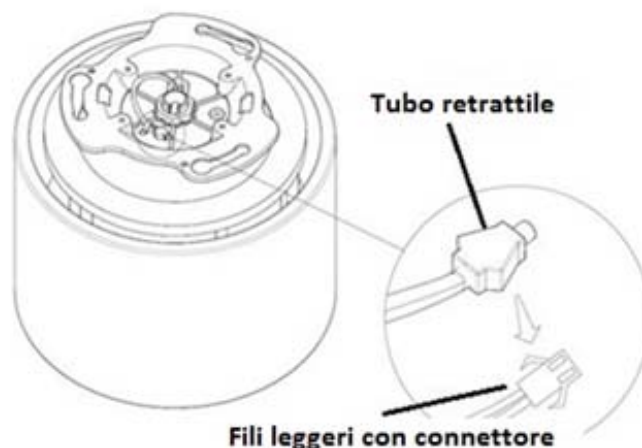


Fig. 9

## UTILIZZO DEL VENTILATORE A SOFFITO CON TELECOMANDO

### Abbinamento di trasmettitore e ricevitore (quando due o più ventilatori a soffitto DC sono installati nello stesso locale)

Quando due o più ventilatori si trovano l'uno vicino all'altro, si può desiderare che il ricevitore/trasmettitore di ogni ventilatore sia impostato con un codice diverso, in modo che il funzionamento di un ventilatore non influenzi quello degli altri.

Gli interruttori DIP del trasmettitore (telecomando) si trovano nel vano batterie del trasmettitore. La configurazione degli interruttori DIP assegnerà un codice di trasmissione univoco per ogni ventilatore a soffitto.

NOTA: Assicurarsi di aver installato l'interruttore di disconnessione onnipolare nel cablaggio fisso di ogni ventilatore, quando si utilizza la funzione di codice DIP.

NOTA: Assicurarsi che l'alimentazione del ricevitore sia attivata prima di procedere all'abbinamento del trasmettitore con il ricevitore.

### **Abbinamento di trasmettitore e ricevitore per il ventilatore a soffitto 1:**

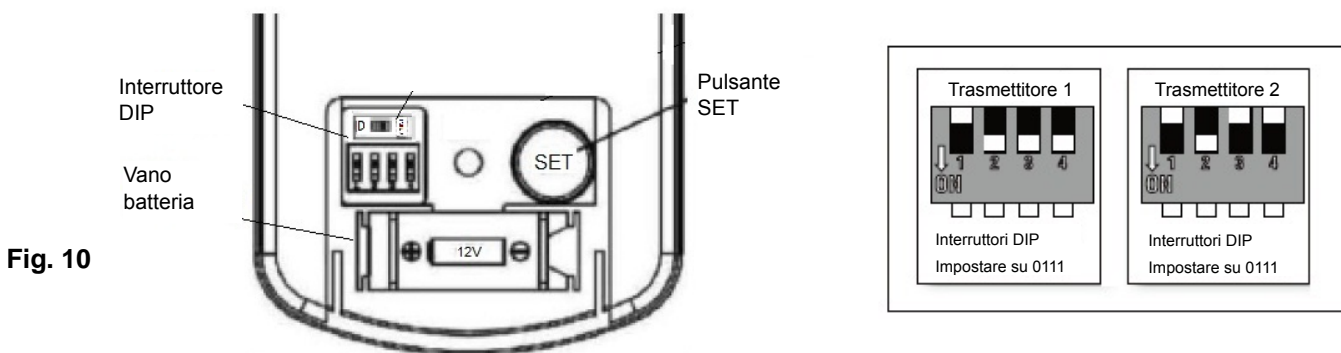
- Spegnere entrambi i ventilatori a soffitto 1 e 2 attraverso l'alimentazione di rete al ricevitore.
- Aprire il coperchio del vano batterie del trasmettitore facendolo scorrere per accedere agli interruttori DIP. Questo sarà il trasmettitore 1.
- Modificare la posizione degli interruttori DIP nel trasmettitore 1, di modo che questo sia diverso dal trasmettitore 2. Fig.13
- Inserire la batteria 12VDC nel vano. Si prega di assicurarsi che la polarità della batteria sia corretta.
- Accendere il ricevitore 1. Tenere spento il ricevitore 2. (Ogni ventilatore a soffitto deve avere il proprio interruttore di isolamento, in modo che solo il ventilatore a soffitto che deve essere abbinato al trasmettitore sia acceso).
- Premere e tenere premuto il pulsante SET del **trasmettitore 1** per 6 secondi entro 60 secondi dall'accensione del ricevitore del ventilatore a soffitto 1.
- Ora il trasmettitore deve essere abbinato con il ricevitore del ventilatore a soffitto 1. Accendere/spegnere o cambiare la velocità del ventilatore a soffitto 1 tramite il trasmettitore per verificarne il funzionamento.

### **Impostazione del ventilatore a soffitto 2:**

- Spegnere entrambi i ventilatori a soffitto 1 e 2 attraverso l'alimentazione di rete al ricevitore.
- Aprire il coperchio del vano batterie del trasmettitore facendolo scorrere per accedere agli interruttori DIP. Questo sarà il trasmettitore 2.

- Modificare la posizione degli interruttori DIP nel trasmettitore 2, di modo che questo sia diverso dal trasmettitore 1. Fig.12
- Inserire la batteria 12VDC nel vano. Si prega di assicurarsi che la polarità della batteria sia corretta.
- Accendere il ricevitore 2. Tenere spento il ricevitore 1. (Ogni ventilatore a soffitto deve avere il proprio interruttore di isolamento, in modo che solo il ventilatore a soffitto che deve essere abbinato al trasmettitore sia acceso).
- Premere e tenere premuto il pulsante SET del **trasmettitore 2** per 6 secondi entro 60 secondi dall'accensione del ricevitore del ventilatore a soffitto 2.
- Ora il trasmettitore deve essere abbinato con il ricevitore del ventilatore a soffitto 2. Accendere/spegnere o cambiare la velocità del ventilatore a soffitto 2 tramite il trasmettitore per verificarne il funzionamento..

**Nota: L'abbinamento del trasmettitore e del ricevitore non è necessario se è installato un solo ventilatore a soffitto. Quando più di due ventilatori a soffitto sono installati uno vicino all'altro, fare riferimento alle istruzioni di cui sopra.**



## Pulsanti del telecomando

### ① - PULSANTE DI CONTROLLO DELLA VELOCITÀ DEL VENTILATORE:

Sono disponibili 6 velocità. ① è il pulsante per la velocità più bassa, e ⑥ è il pulsante per la velocità più alta.

NOTA: QUANDO SI ACCENDE IL VENTILATORE LA PRIMA VOLTA O SI ATTIVA L'ALIMENTAZIONE PRINCIPALE AL CONTROLLER, BISOGNA AVVIARE IL VENTILATORE PRIMA A VELOCITÀ ALTA "⑥", QUINDI SCEGLIERE UNA VELOCITÀ INFERIORE.

SONO NECESSARI 5-10 SECONDI PER CONSENTIRE AL VENTILATORE DC DI RISPONDERE AGLI ORDINI DEL TELECOMANDO, DAL MOMENTO CHE IL VENTILATORE DC INCORPORA UN SENSORE CHE CONTROLLA L'ALIMENTAZIONE AL MOTORE.

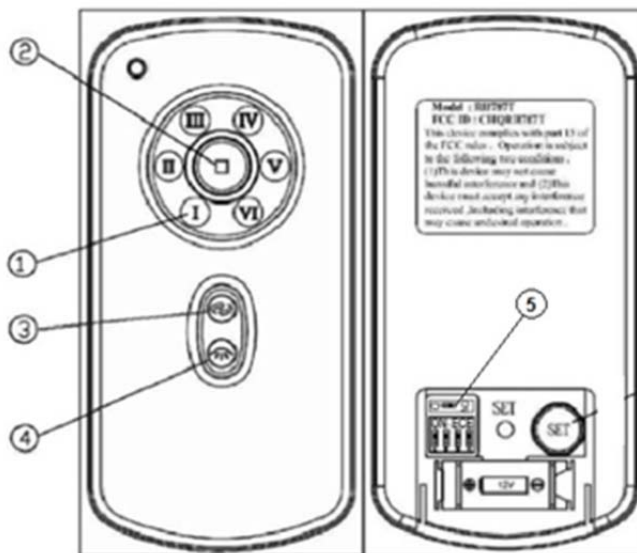


Fig. 11

### ② - PULSANTE DI SPEGNIMENTO DEL VENTILATORE:

Premere il pulsante per spegnere il ventilatore

### ③ - PULSANTE DI INVERSIONE:

Premere il pulsante per invertire il senso di rotazione. Il ventilatore deve essere in funzione per attivare la funzione di

inversione.

#### ④ - PULSANTE DI CONTROLLO DELLA LUCE:

Premere il tasto per accendere/spegnere la luce.

### IL RICEVITORE FORNISCE IL SEGUENTE LIVELLO DI PROTEZIONI

- Posizione di blocco: il ricevitore è dotato di un dispositivo di sicurezza per la protezione contro l'ostruzione durante il funzionamento. Il motore sarà bloccato e scollegato dall'alimentazione dopo 30 secondi di interruzione. Si prega di rimuovere gli ostacoli prima di riavviare. Per ripristinare, è sufficiente spegnere l'alimentazione del motore del ventilatore e riavviare.
- Protezione oltre gli 80W: quando il ricevitore rileva che il consumo energetico è maggiore di 80W, l'alimentazione del ricevitore verrà interrotta e il ventilatore si fermerà immediatamente. Accendere il ricevitore dopo 5 secondi per riavviare il ventilatore.

## RIPRISTINO DELL'ABBINAMENTO TRA RICEVITORE E TELECOMANDO

**Nel caso in cui il telecomando e il ricevitore perdano il contatto dopo l'installazione o durante l'uso, è necessario ripristinare l'abbinamento tra telecomando e ricevitore. Qui di seguito sono riportati i sintomi del problema e il metodo per ripristinare l'abbinamento tra telecomando e ricevitore del ventilatore**

#### **Problemi:**

- Perdita di controllo - Il ventilatore funziona solo ad alta velocità dopo l'installazione
- Perdita di controllo - L'inversione non funziona dopo l'installazione
- Perdita di controllo - Il telecomando non può comunicare con il ricevitore

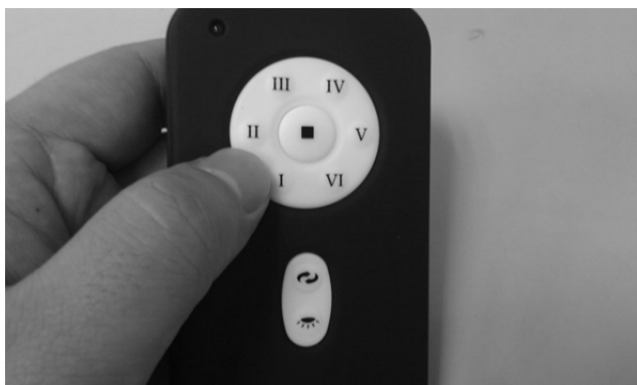
#### **Soluzione:**

Se il ventilatore gira alla massima velocità continuamente, il cablaggio non è stato realizzato correttamente in fase di installazione. Se il ventilatore gira solo ad alta velocità, o non funziona in senso inverso né esegue qualsiasi altro comando, si raccomanda di riparare l'abbinamento della comunicazione tra telecomando e ricevitore. Si prega di seguire i passi seguenti:

- A. Togliere il coperchio della batteria del telecomando, controllare la zona dell'adesivo 434 MHz, accertarsi che la batteria sia installata correttamente e l'indicatore luminoso a LED rosso lampeggi. Ciò significa che il telecomando funziona correttamente.







- B. Spegner l'alimentazione principale del ricevitore per più di 30 secondi e riaccenderlo. Premere e tenere premuto il pulsante SET del **telecomando** per 6 secondi entro 60 secondi dall'accensione del ricevitore.



- C. Premere i tasti sul telecomando per azionare il ventilatore. In generale, eseguire i punti A, B e C è sufficiente a ripristinare l'abbinamento tra telecomando e ricevitore, restituendo il pieno controllo del ventilatore. In caso contrario, si prega di procedere al passo successivo.
- D. Gli interruttori DIP sono impostati in fabbrica. È possibile cambiare la posizione degli interruttori DIP secondo 16 combinazioni (es. su-su-giù-giù).



- E. Si prega di ripetere i passi da (A) a (C) per verificare il funzionamento.
- Se i problemi persistono dopo aver seguito i punti da (A) a (D), e non è ancora possibile comandare il ventilatore, si prega di contattare telefonicamente il servizio di garanzia Lucci o rivolgersi al più vicino negozio Beacon Lighting per ottenere un nuovo telecomando o trasmettitore.

Nota: per ragioni di sicurezza, il nuovo ricevitore deve essere installato da un elettricista autorizzato.

**Nota: quando si rimette in pari il telecomando a CC per ventilatore da soffitto e il ricevitore è in funzione, il ventilatore funziona a velocità più alta che in modalità INDIETRO automaticamente per 90 secondi, e quindi funziona in modalità AVANTI per 90 secondi. Durante il processo di rimessa in pari non premere alcun tasto sul telecomando.**

## BILANCIAMENTO / RISOLUZIONE DEI PROBLEMI DI TRABALLAMENTO

Si prega di notare che i ventilatori a soffitto non sono identici, anche se sono dello stesso modello: alcuni possono traballare più o meno di altri. Il movimento di un paio di centimetri è accettabile e non deve far pensare che il ventilatore possa cadere.

Anche se tutte le pale sono bilanciate e omogenee, non è possibile eliminare completamente il traballamento. Ciò non deve essere considerato un difetto. I ventilatori a soffitto tendono a muoversi durante il funzionamento a causa del fatto che essi non sono montati rigidamente.

È possibile compiere le seguenti azioni per ridurre il traballamento

- 1) Controllare che tutte le viti di montaggio della pala siano ben strette.
- 2) I problemi di traballamento possono derivare da un livellamento non omogeneo della pala. Per controllare il livellamento della pala, misurare la distanza tra ogni punta della pala e il soffitto.

Nota: se le misurazioni sono diverse:

- controllare che le viti di montaggio della pala non siano troppo strette o lenti, perché ciò potrebbe far variare l'altezza di una punta rispetto all'altra;
- una pala sformata può causare oscillazioni, pertanto è necessario controllare rimuovendo la pala e adagiandola su una superficie piana. Una buona pala piatta starà distesa sulla superficie.

- 3) La distanza tra la pala e il soffitto può essere controllata utilizzando semplicemente un righello come mostrato nella figura qui sotto. Posizionare il righello in verticale contro il soffitto e perpendicolarmente al bordo esterno della pala. Misurare la distanza del bordo di una pala e poi delle altre, ruotando lentamente a mano. Se una pala non è allineata, significa che la pala è sformata/storta oppure le viti non sono strette in modo uniforme.

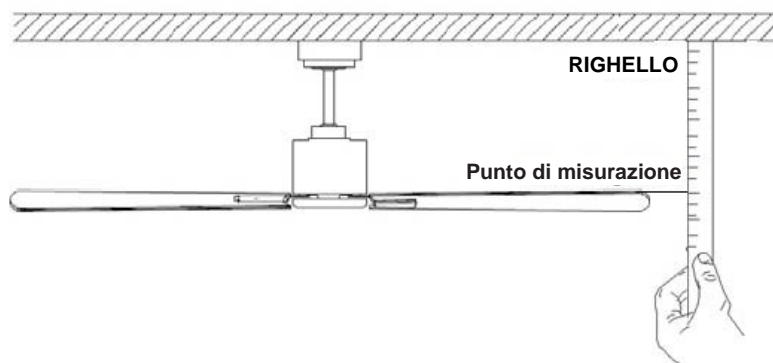


Fig. 12

### KIT DI BILANCIAMENTO

1. È fornito in dotazione un kit di bilanciamento per bilanciare il ventilatore in fase di installazione. Si prega di fare riferimento alle istruzioni su come utilizzare il kit di bilanciamento.
2. Il kit di bilanciamento può essere utilizzato per ripristinare l'equilibratura del ventilatore se è andata persa con l'uso nel tempo. Si consiglia di non gettare il kit di bilanciamento, ma di conservarlo per un possibile uso futuro.

# CURA DEL VENTILATORE E INFORMAZIONI SULLA GARANZIA

## CURA E PULIZIA

- La pulizia periodica del ventilatore a soffitto è l'unica manutenzione richiesta. Utilizzare una spazzola morbida o un panno morbido per evitare di graffiare la vernice/finitura cromata. Si prega di accertarsi che il ventilatore non sia in funzione durante la pulizia.
- Non usare acqua per pulire il ventilatore a soffitto, perché potrebbe danneggiare il motore o le pale e creare la possibilità di una scossa elettrica.

## SERVIZIO DI GARANZIA

La garanzia del produttore copre i difetti reali che possano presentarsi, ma NON quelli presunti, come il rumore del motore - TUTTI I MOTORI ELETTRICI SONO UDIBILI IN QUALCHE MISURA.

**CLIENTI DI AUSTRALIA/NUOVA ZELANDA** - Si prega di fare riferimento alla DICHIARAZIONE DI GARANZIA separate.

**CLIENTI EUROPEI** – Si prega di contattare il punto vendita dove è stato acquistato il ventilatore per avvalersi del servizio di garanzia.

## TRABALLAMENTO

- I ventilatori a soffitto tendono a muoversi durante il funzionamento a causa del fatto che essi non sono montati rigidamente —se lo fossero, genererebbero vibrazioni eccessive che stresserebbero il supporto di montaggio.
- Il movimento di un paio di centimetri è accettabile e non deve far pensare che il ventilatore possa cadere.
- I ventilatori a soffitto sono montati in modo molto sicuro su staffe in acciaio con imbottitura in gomma o su snodi sferici per permettere la libertà di movimento.
- Si prega di notare che i ventilatori a soffitto non sono identici, anche se sono dello stesso modello: alcuni possono traballare più o meno di altri.

## USURA NORMALE

I componenti filettati leggermente allentati o le pale leggermente piegate a causa di pulizie vigorose o di urti possono causare ulteriore traballamento e rumore. **QUESTO NON È COPERTO DA GARANZIA**, perché un po' di attenzione e manutenzione può ridurre o prevenire questo problema.

## PICCOLI RUMORI NOTTURNI

Questi non sono coperti dalla garanzia del produttore. Se un ventilatore ha un difetto, sarà evidente in ogni momento. Naturalmente, con il silenzio della notte è più facile sentire piccoli rumori, che non possono essere uditi in altre ore del giorno. Anche lievi fluttuazioni di potenza e segnali di frequenza sovrapposti della rete elettrica possono causare un cambiamento di rumore nel motore del ventilatore: questo è normale.

## LUCE DEL VENTILATORE

Fatta eccezione per i guasti effettivi di fabbricazione, che sono estremamente rari, le **LUCI DEL VENTILATORE NON SONO COPERTE DALLA GARANZIA DEL VENTILATORE**. Rumori e vibrazioni sono spesso più accentuati quando sul ventilatore è montata una luce.

Per esempio un coperchio di vetro che non è stato ben stretto o è allentato può causare un tintinnio. Ancora una volta, la cura e la manutenzione del ventilatore possono ridurre questo genere di problemi.

## GUIDA ALLA RISOLUZIONE DEI PROBLEMI

Consultare sempre la "Guida alla risoluzione dei problemi" inclusa in questo opuscolo prima di chiamare il servizio di assistenza. Le chiamate superflue sono scomode per tutti e possono comportare un costo.

Per sicurezza, assicurarsi che il ventilatore sia spento prima di procedere alla risoluzione dei problemi.

PROBLEMA	CAUSE PROBABILI	RIMEDIO SUGGERITO
1. Il ventilatore non si avvia (Attenzione: il ventilatore deve essere spento, e l'assistenza di un elettricista qualificato può rendersi necessaria)	A. Fusibile o interruttore saltato.	Controllare i fusibili dei circuiti principale e derivati o gli interruttori.
	B. Connessioni di alimentazione del ventilatore allentate (normalmente ciò si verifica durante l'installazione).	Controllare le connessioni di alimentazione del ventilatore. Questa operazione deve essere eseguita da un elettricista qualificato.
	C. Il telecomando non dà segno di funzionare.	- La batteria è scarica. Sostituire la batteria. - Verificare che il telecomando sia correttamente abbinato con il ricevitore.
	D. Accensione del ventilatore tramite l'interruttore di rete.	Verificare se c'è corrente al ventilatore.
2. Il ventilatore traballa (Fare riferimento alla sezione traballamento del manuale per ulteriori informazioni)	A. Le pale non sono orizzontali rispetto al soffitto.	Fare riferimento alla pagina "risolvere il problema del traballamento" del manuale. - Può essere necessario regolare le viti di fissaggio della pala; - La pala è sfornata e provoca oscillazioni. Sarà necessario sostituirla con una nuova. Contattare il rivenditore per ulteriori dettagli.
	B. Le viti della pala sono allentate.	Assicurarsi che tutte le viti siano ben strette.
	C. La pala o le pale sono sfornate.	Rimuovere la pala e deporla su una superficie piana per verificare se è sfornata. Contattare il rivenditore per ulteriori dettagli.
3. Il ventilatore è rumoroso	A. La parte superiore della calotta tocca il soffitto.	Abbassare la calotta per lasciare un gioco di 3 mm rispetto al soffitto.
	B. Viti della pala allentate.	Serrare tutte le viti della pala del ventilatore, ma non stringere eccessivamente.
	C. Il ventilatore non è ben fissato al soffitto.	Serrare tutte le viti della staffa o piastra di sostegno.
	D. Velocità errata del controller.	Sostituire il controller con quello fornito. (Questa operazione deve essere eseguita da un elettricista autorizzato).
4. Rumore meccanico	A. Lasciar passare un periodo di assestamento di almeno 8 ore.	
5. La luce non si accende (SOLO per ventilatori con kit luce opzionale)	Lampadina fulminata.	Sostituire la lampadina.

**ATTENZIONE: IL VENTILATORE DEVE ESSERE SPENTO PRIMA DI PROCEDERE ALLA RISOLUZIONE DEI PROBLEMI.**

## NOTE PER GLI INSTALLATORI

- Tutti i motori elettrici, compresi quelli dei ventilatori, fanno un po' di rumore e possono essere caldi al tatto - non è un difetto.
- Alcuni ventilatori traballano più di altri, anche dello stesso modello.
- Le luci possono tintinnare, ma non sono coperte da garanzia.
- Il controller a parete può emettere un leggero ronzio e scaldarsi, soprattutto alle impostazioni basse. Queste evenienze non sono coperte dalla garanzia del produttore.

## INFORMAZIONI TECNICHE

Modelli di VENTILATORE A SOFFITTO A CORRENTE CONTINUA AIRFUSION CLIMA II	Tensione nominale	Potenza nominale (motore)	Batteria del telecomando
LD52BN,LD52WH LD52CC,LD52AB	220-240VAC	35W	1 x 12V 23AE

## WARRANTY CONDITIONS

**IN AUSTRALIA / NEW ZEALAND CUSTOMER** – Please refer to the separated WARRANTY STATEMENT.

**IN EUROPA** - I clienti europei sono pregati di contattare il punto vendita dove è stato acquistato il ventilatore per il servizio di garanzia.

La garanzia sul prodotto concepito per il normale uso domestico è di 24 mesi a partire dalla data di acquisto e copre difetti elettrici e di produzione.

1. I lavori di installazione devono essere affidati a un elettricista autorizzato.

La garanzia è valida solo se il ventilatore da soffitto viene installato da un elettricista autorizzato. La garanzia non copre i problemi causati dall'installazione errata.

2. La garanzia sulla vernice e/o sui rivestimenti dei ventilatori da soffitto è di sei mesi.

3. La garanzia non copre:

a. Le riparazioni degli errori causati da incidenti, incendio, uso improprio, trasformazioni, modifiche, negligenza, installazione incompleta e non corretta, uso improprio, tentativi di riparazione eseguiti da persone non autorizzate o cause di forza maggiore.

b. Reclami ovvero danni a mobili, tappeti, pareti, soffitti ribassati oppure qualsiasi altro tipo di danno consequenziale causato direttamente o indirettamente da un ventilatore da soffitto difettoso.

4. I corpi illuminanti sono coperti da garanzia, in caso di difetti elettrici. La garanzia non copre l'eventuale rottura dei vetri né i danni alle lampadine. I corpi illuminanti potrebbero intensificare i rumori e le oscillazioni provenienti dai vetri o dai corpi illuminanti allentati. Ciò non rientra nella garanzia. Se all'apertura della confezione si scopre che i vetri sono rotti, informare il rivenditore locale entro 48 ore dalla data di acquisto.

5. La garanzia si estende al possibile subentrare di difetti effettivi. Tutti i motori elettrici causano dei rumori percepibili all'udito. Far funzionare il ventilatore da soffitto per almeno otto ore, per permettere ai cuscinetti di posizionarsi correttamente.

Il ventilatore potrebbe riscaldarsi anche a basso regime di giri – ciò non è da considerarsi un difetto. I rumori provenienti dai ventilatori possono essere causati anche da leggere variazioni nella tensione elettrica o dalla sovrapposizione dei segnali di frequenza negli apparecchi messi in funzione durante le ore di risparmio energetico.

6. Le parti avvitabili, come per esempio i dadi delle pale, potrebbero allentarsi durante il normale funzionamento. Si consiglia pertanto di stringerle periodicamente, in modo da evitare rumori di funzionamento da parte del ventilatore.

7. Alcuni ventilatori - anche dello stesso modello - sono più o meno veloci degli altri. In questo caso la garanzia non subentra, poiché non si tratta di un difetto. Gli errori di materiale delle pale non sono oggetto della garanzia. Se all'apertura della confezione si scopre che le pale sono danneggiate, informare il rivenditore locale entro 48 ore dalla data di acquisto, che in questo caso invierà un nuovo set di pale. È importante sostituire sempre l'intero set di pale, poiché le pale contenute nei rispettivi set sono appositamente bilanciate. Le pale danneggiate dalle condizioni climatiche o dalle misure manutentive non rientrano nella garanzia.

Gefeliciteerd met uw aankoop van een van de laatste nieuwe energiebesparende plafondventilatoren. Deze ventilator werkt met gelijkstroom (DC, Direct Current), wat het voordeel heeft dat de ventilator energiezuinig werkt, terwijl hij toch een grote hoeveelheid lucht verplaatst en stil werkt.

Energiebesparend - De gelijkstroommotor (DC-motor) is voorzien van de laatste nieuwe technologie op het gebied van ventilatordesign. De uiterst efficiënte motor bespaart tot 65% energie in vergelijking met plafondventilatoren met traditionele wisselstroommotoren (AC-motoren).

Stille werking - deze ventilator met gelijkstroommotor is geprogrammeerd met een gestabiliseerde stroom die het motorgeluid efficiënt reduceert.

Lage bedrijfstemperatuur – De gelijkstroom wordt efficiënt beheerd, zodat de werkt temperatuur van de motor onder 50degs blijft. Dit resulteert in een veel koelere motor dan een standaardventilator met wisselstroom en zorgt voor een langere levensduur van de motor.

Afstandsbediening met 6 snelheden, de normale plafondventilatoren met wisselstroommotoren (AC) hebben gewoonlijk maar 3 snelheden. Deze DC-ventilator is voorzien van 6 snelheden en een afstandsbediening, zodat u meer keuze hebt voor de afstelling van uw comfortniveau.

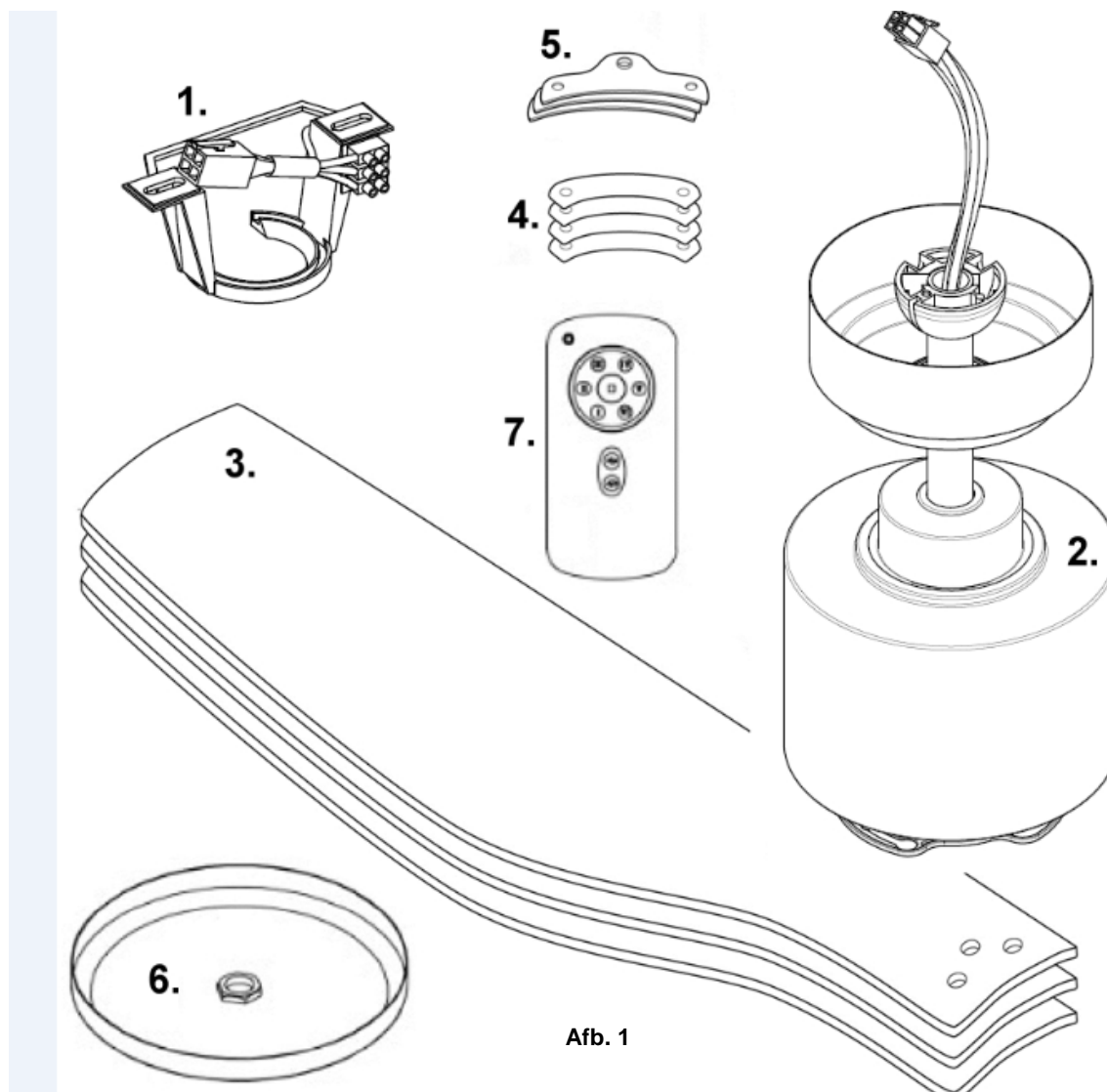
## **VEILIGHEIDSMATREGELEN**

- 1) Dit apparaat is niet bedoeld voor gebruik door personen (inclusief kinderen) met verminderde fysieke, sensorische of mentale capaciteiten of door personen met een gebrek aan ervaring en kennis, tenzij ze onder toezicht staan, of instructies gekregen hebben betreffende het gebruik van het apparaat van een persoon die verantwoordelijk is voor hun veiligheid.
- 2) Kinderen moeten onder toezicht gehouden worden om ervoor te zorgen dat ze niet met het apparaat spelen.
- 3) De verbreking van alle polen moet worden opgenomen in de vaste bedrading in overeenstemming met de bedradingsregels.
- 4) Dit product niet als ongesorteerd gemeentelijk afval verwijderen. Maak gebruik van de speciaal daartoe voorziene inzamelpunten. Neem contact op met uw gemeente voor meer informatie over de beschikbare inzamelsystemen. Als elektrische apparaten worden verwijderd op stortplaatsen of vuilnisbelten kunnen gevaarlijke stoffen in het grondwater terechtkomen en zo in de voedselketen en kunnen schadelijk zijn voor uw gezondheid en het welzijn.
- 5) De structuur waarop de ventilator is gemonteerd, moet een gewicht van 30kg kunnen dragen.
- 6) De ventilator moet zo worden gemonteerd dat de bladen zich minstens 2,3 meter boven de vloer bevinden, voor Europa.
- 7) De ventilator moet zo worden gemonteerd dat de bladen zich minstens 2,1 meter boven de vloer bevinden, voor Australië.
- 8) De ventilator is alleen bedoeld voor gebruik binnenhuis. Het is gevaarlijk om de ventilator te monteren op een plaats waar hij wordt blootgesteld aan water of vocht.
- 9) Alleen een erkende elektricien mag de installatie uitvoeren.



## VOOR DE INSTALLATIE

Pak de ventilator uit en controleer de inhoud. U moet de volgende elementen hebben:



Afb. 1

- |   |                                                                                         |    |                                                                |
|---|-----------------------------------------------------------------------------------------|----|----------------------------------------------------------------|
| 1 | ophanghaak x 1                                                                          | 7  | Afstandsbediening met houder x 1 set                           |
| 2 | Assemblagekit met hangerbehuizing, staaf, overkapping en behuizing voor overkapping x 1 | 8  | Extra Motorschroeven x 1 (niet op illustratie)                 |
| 3 | Schoepen x 3                                                                            | 9  | Houten schroeven x 2 (niet op illustratie)                     |
| 4 | Houten schroeven x 2 (niet op illustratie)                                              | 10 | Uitbalanceringskit x 1 set (niet op illustratie)               |
| 5 | Bevestigingsplaatjes voor schoepen x 3                                                  | 11 | Schroef voor afstandsbedieninghouder x 2 (niet op illustratie) |
| 6 | Behuizing voor onderkant x 1                                                            | 12 | 12V Batterij voor afstandsbediening x 1 (niet op illustratie)  |

## BENODIGD GEREEDSCHAP

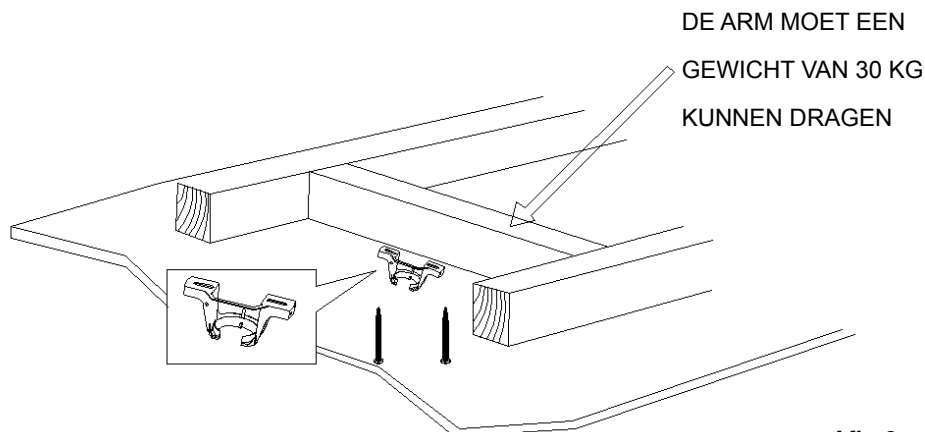
### BENODIGD GEREEDSCHAP:

- Phillips / Platkopschroevendraaier
- Tang
- Regelbare spanner
- Trapladder
- Draadsnijder
- Bedrading, toevoerkabel zoals vereist door de plaatselijke, provinciale en nationale wetgeving en reglementeringen inzake de bedrading.

## INSTALLATIE VAN DE MONTAGEBEUGEL

De plafondventilator moet worden geïnstalleerd op een plaats waar de bladen een ruimte hebben van 3000 mm van de bladuiteinden tot de dichtstbijzijnde voorwerpen of muren.

Bevestig de hangconsole aan de plafondhaak of de structuur die in staat is om een gewicht van minstens 30 kg te dragen, met behulp van de twee lange meegeleverde schroeven. Zorg ervoor dat minstens 30 mm van de schroefdraad in de drager zit.



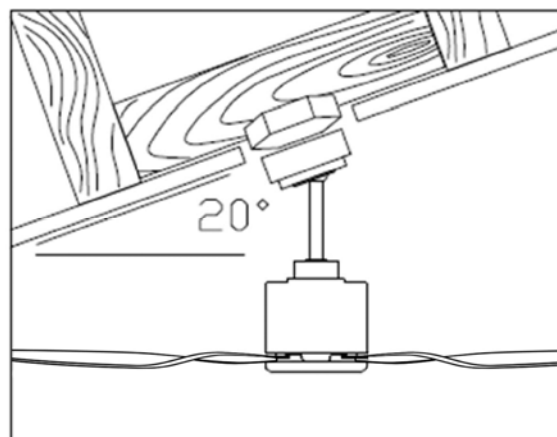
Afb. 2

OPMERKING: DE AFBEELDING DIEN ALLEEN TER  
VERDUIDELIJKING EN IS GEEN WEERGAVE VAN DE ECHTE BEUGEL

**LET OP:** De meegeleverde schroeven zijn alleen bedoeld voor houten structuren. Voor andere structuren dan hout, MOET het juiste schroeftype worden gebruikt.

### Gehoekte plafondinstallatie

Dit hangend ventilatorsysteem ondersteunt een installatie aan het plafond in een maximumhoek van 20 graden.



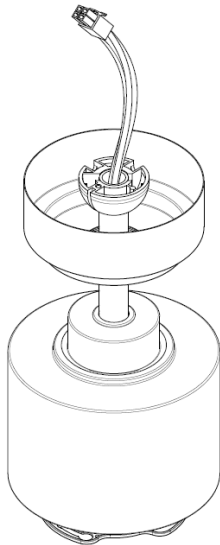
Afb. 3



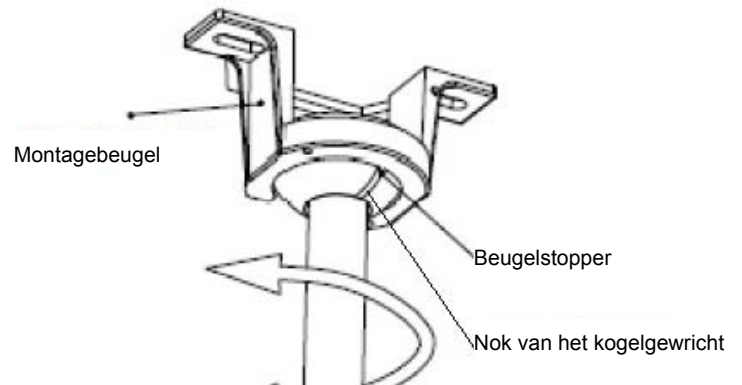
# OPHANGING VAN DE GEASSEMBLEERDE VENTILATORMOTOR

## Het installeren van een hangstaaf

- Til de ventilatorassemblage op de montagebeugel. Afb. 4
- Zorg ervoor dat de nok van het kogelgewricht zich op de stopper van de montagebeugel bevindt om te vermijden dat de ventilator begint te roteren als hij werkt. Afb. 5



Afb. 4



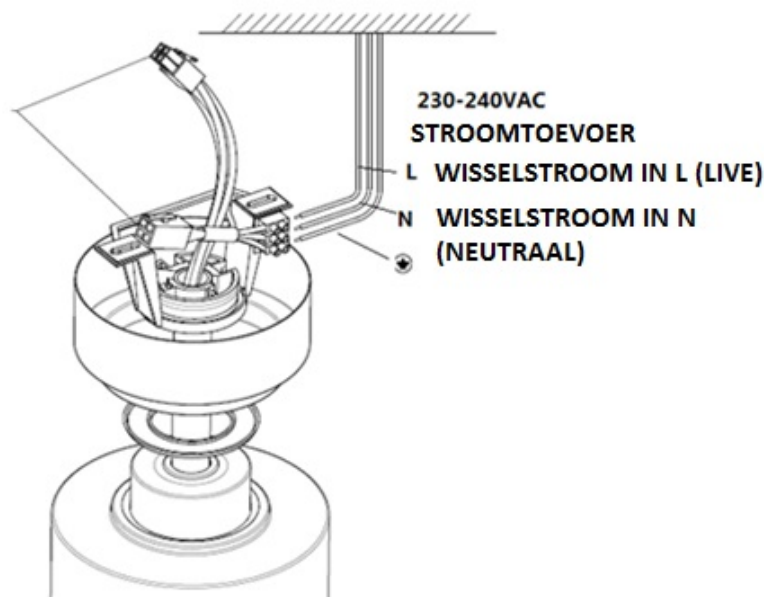
Afb. 5

## DE ELEKRISCHE BEDRADING VOORBEREIDEN EN VOLTOOIEN BEDRADINGSSHEMA (AFB. 6)

**WAARSCHUWING:** VOOR UW EIGEN VEILIGHEID MOETEN ALLE ELEKTRISCHE AANSLUITINGEN GEBEUREN DOOR EEN ERKENDE INSTALLATEUR;

**LET OP:** ER MOET EEN VERBREKINGSSCHAKELAAR VOOR ALLE POLEN WORDEN OPGENOMEN IN DE VASTE BEDRADING.

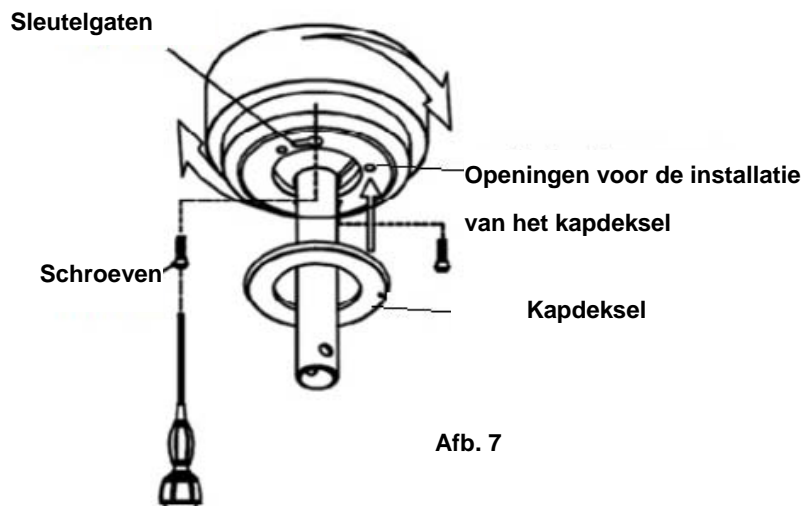
**LET OP:** ALS ER TWEE OF MEER PLAFONDVENTILATOREN WORDEN GEÏNSTALLEERD IN 1 PLAATS, IS EEN ISOLATIESCHAKELAAR VOOR ELKE PLAFONDVENTILATOR VEREIST. DIT IS NODIG BIJ DE PROGRAMMERING VAN DE KOPPELING VAN DE AFSTANDSBEDIENING EN DE ONTVANGER.



Afb. 6

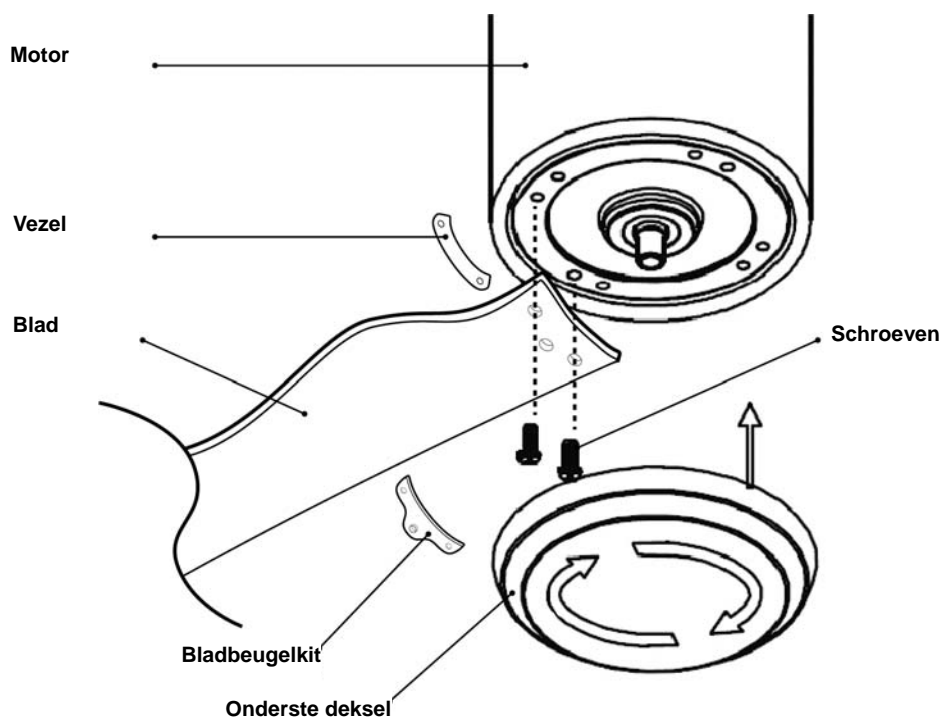
## INSTALLEER DE AFDEKKAP

- Maak de 2 schroeven aan de onderzijde van de montagebeugel los.
- Schuif de kap op de montagebeugel en plaats het sleutelgat in de kap over de schroef op de montagebeugel. Draai de kap tot ze op haar plaats vergrendelt in het smalle gedeelte van de sleutelgaten en borg de kap door de twee schroevensets aan te draaien. Vermijd beschadiging van de eerder aangebrachte elektrische bedrading.
- Bevestig tot slot de kapafdekking op de kap en zeker deze door de lippen in de openingen te drukken.



## INSTALLATIE VAN DE VENTILATORBLADEN

- Bevestig de bladschroeven door de bladassemblage achtereenvolgens voor de beugelkit, het blad en de vezel (fiber).
- Bevestig de bladassemblage op de motor en maak deze met behulp van de 2 schroeven vast. Afb. 11
- Herhaal dit om de andere bladen aan te brengen.
- Breng tot slot het onderste deksel aan op de motoras door het in uurwijzerzin vast te draaien.



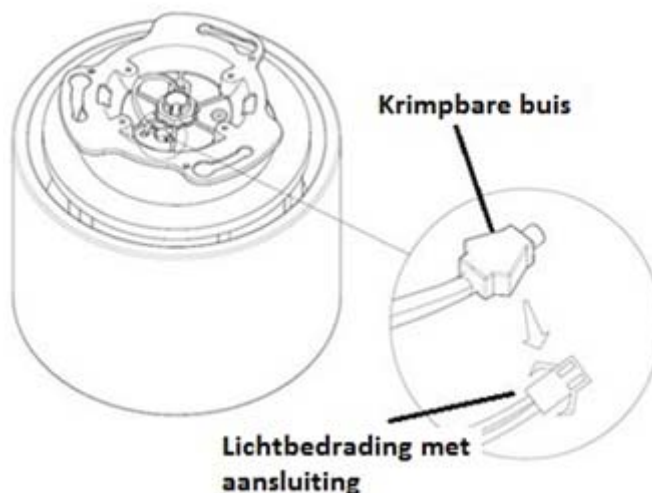
## LICHTSET Installatie (Lichtset- optioneel)

Opmerking: De lichtset moet door een gekwalificeerde elektricien geïnstalleerd worden.

OPMERKING: De lichtset bestaat voor een aantal ventilatormodellen en al een optionele lichtset.

1. Verwijder de behuizing aan de onderkant.
2. Verwijder de flexibele buis uit de bedradingsconnector.
3. Lees de lichtset installatiehandleiding voor het installeren van de set.

Afb. 9



## GEBRUIK VAN UW PLAFONDVENTILATOR MET DE AFSTANDSBEDIENING

### Het koppelen van zender en ontvanger - als 2 of meer DC-plafondventilatoren op een plaats worden geïnstalleerd.

Als zich twee of meerdere ventilatoren dicht bij elkaar bevinden, wilt u misschien dat de ontvanger/zender van iedere ventilator een andere code heeft, zodat de werking van de ene ventilator die van de andere ventilatoren niet beïnvloedt. De DIP-schakelaars voor de zender(handstuk van de afstandsbediening) bevinden zich in het batterijcompartiment van de zender. Door de configuratie van de DIP-schakelaars kan een unieke zendercode aan elke plafondventilator worden toegekend.

**LET OP:** Zorg ervoor dat er op alle polen een verbrekingschakelaar in de vaste bedrading voor elke ventilator is geïnstalleerd als u de DIP-codefunctie gebruikt.

OPMERKING: Zorg ervoor dat de stroom naar de Ontvanger **AAN** staat voordat u de zender aan de ontvanger koppelt.

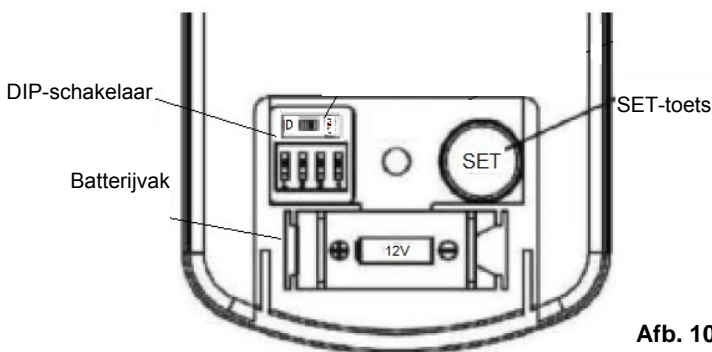
#### **Koppeling van zender/ontvanger voor plafondventilator 1:**

- Schakel plafondventilatoren 1 en 2 uit via de stroomschakelaar op de ontvanger.
- Schuif het deksel van het batterijcompartiment van de zender om toegang te verkrijgen tot de DIP-schakelaars. Dit zal zender 1 zijn.
- Wijzig de positie van de DIP-schakelaars in de externe zender 1, zodat deze zal verschillen van zender 2. Afb. 13
- Installeer de batterij van 12VDC in het compartiment. Controleer of de polariteit van de batterij correct is.
- Zet de stroom aan naar ontvanger 1. Houd de stroom naar ontvanger 2 op UIT (OFF). (Elke plafondventilator moet zijn eigen isolatieschakelaar hebben, zodat alleen de plafondventilator die aan de zender moet worden gekoppeld, AAN (ON) staat.
- Druk de SET-knop van **zender 1** en houd de knop ingedrukt gedurende 6 seconden binnen de 60 seconden nadat de stroom van de ontvanger van plafondventilator 1 werd ingeschakeld.
- Nu zou de zender gekoppeld moeten zijn aan de ontvanger van plafondventilator 1. Zet de ventilator AAN/UIT of wijzig de snelheid van plafondventilator 1 via de zender om de werking te controleren.

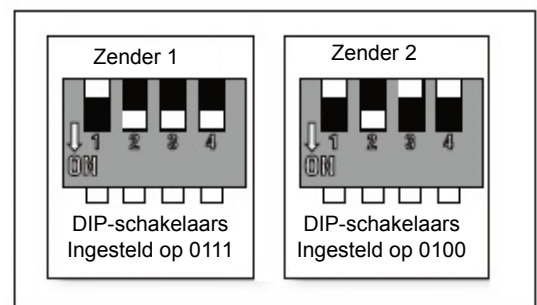
## Instelling DC-plafondventilator 2:

- Schakel plafondventilatoren 1 en 2 uit via de stroomschakelaar op de ontvanger.
- Schuif het deksel van het batterijcompartiment van de zender om toegang te verkrijgen tot de DIP-schakelaars. Dit zal zender 2 zijn.
- Wijzig de positie van de DIP-schakelaars in de externe zender 2, zodat deze verschillend zal zijn van zender 1. Afb. 12
- Installeer de batterij van 12VDC in het compartiment. Controleer of de polariteit van de batterij correct is.
- Zet de stroom aan naar ontvanger 2. Houd de stroom naar ontvanger 1 uitgeschakeld (OFF). (Elke plafondventilator moet zijn eigen isolatieschakelaar hebben, zodat alleen de plafondventilator die aan de zender moet worden gekoppeld, AAN (ON) staat.
- Druk de SET-knop van **zender 2** en houd de knop ingedrukt gedurende 6 seconden binnen de 60 seconden nadat de stroom van de ontvanger van plafondventilator 2 werd ingeschakeld.
- Nu zou de zender gekoppeld moeten zijn aan de ontvanger van plafondventilator 2. Zet de ventilator AAN/UIT of wijzig de snelheid van plafondventilator 2 via de zender om de werking te controleren.

**Let op: De koppeling van de zender en de ontvanger is niet nodig als er maar een plafondventilator is geïnstalleerd. Als meer dan twee plafondventilatoren dicht bij elkaar worden geïnstalleerd, raadpleeg dan de bovenstaande instructies.**



Afb. 10



## Toetsen van de afstandsbediening

### ① - KNOPSNELHEIDSREGELING VENTILATOR:

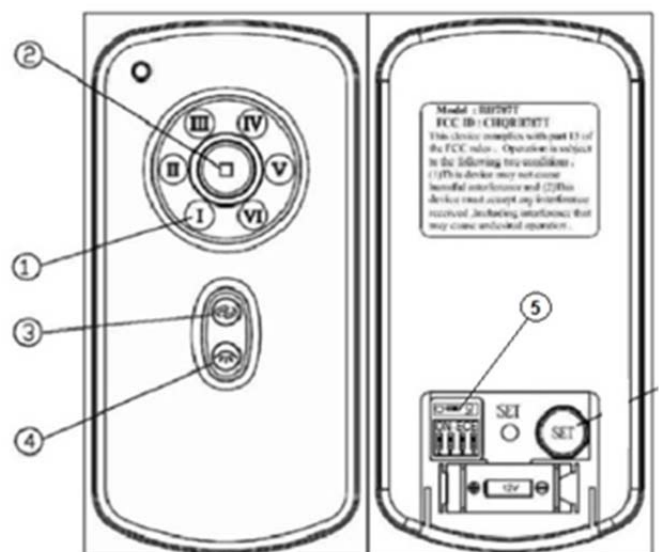
Er zijn 6 beschikbare snelheden. ① De knop dient voor de laagste snelheid, en de ⑥ knop dient voor de hoogste snelheid.

OPMERKING: ALS U DE VENTILATOR VOOR DE EERSTE KEER INSCHAKELT OF BIJ HET INSCHAKELEN VAN DE STROOM NAAR DE REGELAAR, MOET U DE VENTILATOR EERST INSTELLEN OP HIGH "⑥" (HOGE SNELHEID) EN DE SNELHEID VERVOLGENS VERMINDEREN.

ER ZIJN 5-10 SECONDEN NODIG VOORDAT DE

DC-VENTILATOR OP DE AFSTANDBEDIENING REAGEERT BIJ HET SELECTEREN VAN DE SNELHEID OF DE DRAAIRICHTING VAN DE VENTILATOR, OMDAT DE DC-VENTILATOR EEN SENSORCONTROLE BEVAT DIE DE

Afb. 11



STROOM NAAR DE MOTOR REGELT.

②- KNOPVENTILATOR UIT:

Druk op de knop om de ventilator uit te schakelen

③- KNOPVOOR OMGEKEERDE WERKING:

Druk op de knop om de werking in omgekeerde richting te activeren. De ventilator moet in werking zijn om de omgekeerde richting te kunnen activeren.

④- KNOP VOOR DE LICHTREGELING:

Druk op de knop om het licht aan/uit te zetten.

DE ONTVANGER IS VOORZIEN VAN DE VOLGENDE BESCHERMINGEN TEGEN:

- Vergrendeling van positie: de ontvanger heeft een ingebouwde veiligheidsfunctie om de ventilator tijdens de werking tegen blokkering te beschermen. De motor zal vergrendeld worden zodat hij niet kan werken en zal afgekoppeld worden van het stroomnet na een onderbreking van 30 seconden. Verwijder alle hindernissen voordat u de ventilator opnieuw start. Om de ventilator te resetten, zet u gewoon de stroomvoorziening van de ventilatormotor terug aan en start u de ventilator opnieuw.
- Beveiliging tegen meer dan 80W: als de ontvanger detecteert dat er een stroomverbruik is van meer dan 80W, wordt de stroom naar de ontvanger gestopt en zal de werking onmiddellijk worden onderbroken. Zet de stroom van de ontvanger na 5 seconden terug aan om de ventilator opnieuw te starten.

## DE ONTVANGER VAN DE VENTILATOR REPAREREN & EXTERNE KOPPELING

Als de afstandsbediening en de ontvanger de controle over de installatie of tijdens het gebruik verliezen, moeten de afstandsbediening en de ontvanger opnieuw worden gekoppeld. Hieronder vindt u de uitleg over de symptomen tijdens de werking en de methode om de afstandsbediening en de ontvanger van de DC-plafondventilator opnieuw te koppelen.

### Problemen:

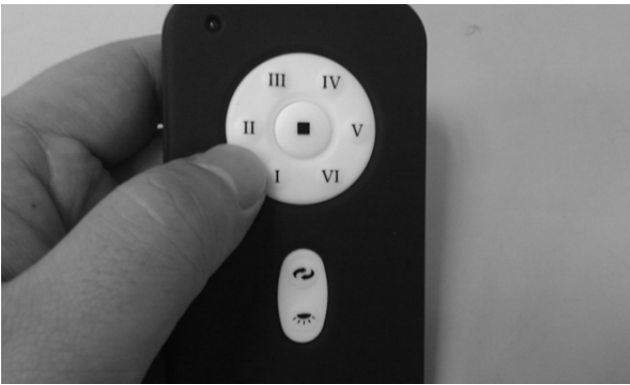
- Verlies van controle - De ventilator werkt na de installatie alleen op hoge snelheid.
- Verlies van controle - Geen omgekeerde werking na de installatie.
- Verlies van controle - afstandsbediening kan niet met de ontvanger communiceren

### Oplossing:

Als de ventilator doorlopend op de hoogste snelheid werkt, betekent dit dat de bedrading van de installatie correct is. Als de ventilator alleen op hoge snelheid werkt, of niet omgekeerd kan werken, of niet reageert op andere commando's, is het raadzaam om de communicatiekoppeling tussen zender en ontvanger opnieuw uit te voeren. Volg hiervoor de onderstaande stappen:

- A. Verwijder het deksel van het batterijvak van de afstandsbediening, controleer de zone van de 434 Mhz-sticker en controleer of de batterij correct is aangebracht. Als de rode LED-indicator knippert, betekent dit dat de afstandsbediening goed werkt.





- B. Schakel de stroomvoorziening naar de ontvanger gedurende meer dan 30 seconden uit en schakel de stroom naar de ontvanger dan opnieuw aan. Druk de SET-knop van de **afstandsbediening** gedurende 6 seconden in en binnen de 60 seconden nadat de stroom naar de ontvanger is ingeschakeld.



- C. Druk de knoppen op de afstandsbediening in om de ventilator aan te zetten. In het algemeen moet de koppeling tussen de afstandsbediening en de ontvanger hersteld zijn als u punt A, B en C hebt uitgevoerd en zult u de ventilator opnieuw correct kunnen bedienen. Zo niet, voer dan de volgende stap uit.
- D. De DIP-schakelaars zijn in de fabriek al ingesteld. We kunnen de DIP-schakelaars op elke locatie met 16 opties wijzigen. (bv. op-op-neer-neer).



- E. Gelieve de stappen (A)~(C) te herhalen om de werking te controleren.

Als de problemen zich nog steeds voordoen nadat u de punten (A) tot (D) hebt uitgevoerd en u kunt de ventilator nog

steeds niet regelen, bel dan naar het servicenummer van Lucci of neem contact op met uw verdeler van Beacon Lighting voor een nieuwe afstandsbediening of voor een nieuwe zender.

Opmerking: Moet door een erkende elektricien worden geïnstalleerd.

**Opmerking: Tijdens het repareren van de afstandsbediening en ontvanger, zal de ventilator automatisch 90 seconden in ACHTERUIT modus draaien op de hoogste snelheid, en daarna in VOORUIT modus voor 90 seconden. Tijdens dit afstemmingsproces moet geen enkele knop op de afstandsbediening ingedrukt worden.**

## UITBALANCERING / VERHELPEN VAN STORINGEN

Gelieve te noteren dat alle plafondventilatoren niet hetzelfde zijn, zelfs als het om hetzelfde model gaat - sommige ventilatoren kunnen meer of minder bewegen dan andere. Een beweging van enkele centimeter is aanvaardbaar en zal de ventilator niet doen vallen.

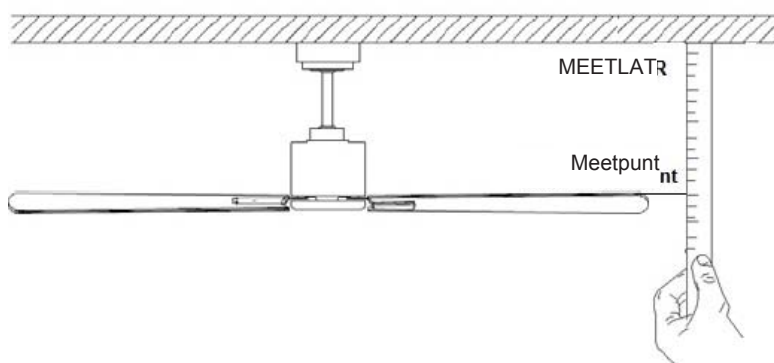
Zelfs als de bladen goed uitgebalanceerd zijn en gegroepeerd zijn volgens gewicht, is het onmogelijk om volledig te vermijden dat de ventilator wat schommelt. Dit wijst niet op een fout. Plafondventilatoren hebben de neiging om tijdens hun werking wat te bewegen omdat ze in het algemeen niet vast zijn gemonteerd.

Doe het volgende om het schommelen van de ventilator te verminderen

- 1) Controleer of alle montageschroeven van de ventilatorbladen goed aangetrokken zijn.
- 2) De ventilator zou kunnen schommelen als de bladen onevenwichtig geïnstalleerd zijn. Controleer de ventilatorbladen en meet de afstand van elk blad tot het plafond.

Opmerking: Als de metingen inconsistent zijn:

- controleer of de montageschroeven van de ventilatorbladen niet te strak aangetrokken zijn, of niet te los zitten, want dit kan ervoor zorgen dat het ventilatorblad niet juist is aangebracht.
  - Een ongebalanceerd ventilatorblad kan de ventilator doen schommelen. Controleer de bladvorm door het blad op een effen oppervlak te leggen; Een normaal vlak ventilatorblad zal plat op het oppervlak liggen.
- 3) De tracking van het blad kan worden gecontroleerd met een gewone huishoudelijke meetlat zoals op de afbeelding wordt getoond. Plaats de meetlat verticaal tegen het plafond en gelijk met de buitenkant van een ventilatorblad. Meet ook of de afstand tussen de diverse ventilatorbladen gelijk is. Draai het ventilatorblad traag met de hand en controleer de overige ventilatorbladen. Als een blad niet goed is uitgelijnd, is het ofwel vervormd / kromgetrokken, of zijn de schroeven van het ventilatorblad niet gelijkmatig aangetrokken of zitten ze los.



Afb. 12

### **BALANCEERKIT**

- 1) Er is een balanceerkit beschikbaar om de plafondventilator bij de eerste installatie te balanceren. Zie de instructies over het gebruik van de meegeleverde balanceerkit.
- 2) De balanceerkit kan worden gebruikt om de plafondventilator terug in evenwicht te brengen als hij na verloop van tijd

uit balans is geraakt. Gooi de balanceerkit niet weg. Houd de kit bij voor later gebruik.

## **ONDERHOUD VAN DE VENTILATOR EN INFORMATIE OVER DE GARANTIE**

### **ONDERHOUD & REINIGING**

- De periodieke reiniging van uw plafondventilator is het enige onderhoud dat nodig is. Gebruik een zachte borstel en een pluisvrije doek om krassen op de lak/coating te vermijden. Let erop dat de ventilator uitgeschakeld moet zijn voordat u hem reinigt.
- Gebruik geen water voor het reinigen van de plafondventilator. Dit zou de motor of de ventilatorbladen kunnen beschadigen en zou een elektrische schok kunnen veroorzaken.

### **GARANTIESERVICE**

De garantie van de fabrikant dekt alle fabricagefouten die zich kunnen voordoen, maar geen ONBELANGRIJKE klachten, zoals het geluid van de motorwerking - ALLE ELEKTRISCHE MOTOREN ZIJN IN ZEKERE MATE HOORBAAR.

**KLANTEN IN AUSTRALIË / NIEUW ZEELAND** - Zie de afzonderlijke GARANTIEVERKLARING.

**EUROPESE KLANTEN**– Gelieve contact op te nemen met uw verdeler waar u de ventilator hebt gekocht voor meer info over de garantie.

### **SCHOMMELEN**

- Plafondventilatoren hebben de neiging om tijdens hun werking wat te bewegen omdat ze in het algemeen niet vast zijn gemonteerd. Als ze wel vast zouden worden gemonteerd, zou dat overdreven plafondtrilling en belasting op de montage veroorzaken.
- Een beweging van enkele centimeter is aanvaardbaar en zal de ventilator niet doen vallen.
- Plafondventilatoren worden veilig gemonteerd op stalen beugels met rubberlagers of met kogelgewichten om een vrije beweging toe te laten.
- Gelieve te noteren dat alle plafondventilatoren niet hetzelfde zijn, zelfs als het om hetzelfde model gaat - sommige ventilatoren kunnen meer of minder bewegen

### **NORMALE SLIJTAGE**

Draadcomponenten niet lichtjes los zitten, of ventilatorbladen die lichtjes verbogen zijn door ze krachtig schoon te maken, of doordat ze ergens tegen gestoten zijn, kunnen de ventilator doen schommelen, of kunnen wat meer lawaai veroorzaken. DIT WORDT NIET GEDEKT DOOR DE GARANTIE - maar een goed onderhoud kan dit probleem reduceren of vermijden.

### **GELUIDEN 's NACHTS**

Dit valt buiten de fabrieksgarantie Als een ventilator defect is, zal dat altijd merkbaar zijn, niet alleen 's nachts. Maar als 's nachts alles stil is, zult u natuurlijk beter kleine geluiden horen die u op andere uren niet waarneemt. Zelfs kleine stroomschommelingen of frequentiesignalen op uw plaatselijk stroomnet kunnen veranderingen veroorzaken in het motorgeluid van de ventilator. Dit is normaal.

### **VENTILATORLAMP**

Behalve bij fabricagefouten, die uiterst zeldzaam zijn, worden VENTILATORLAMPEN EN LAMPHOUDERS NIET GEDEKT DOOR DE GARANTIE OP DE VENTILATOR. Geluiden en trillingen enz. worden vaak meer geaccentueerd al een ventilatorlamp is aangebracht.

Als het glas van een ventilatorlamp bijvoorbeeld niet goed is bevestigd of te los zit, kan dit gerammel veroorzaken. Ook hier geldt weer dat een goed onderhoud en een goede verzorging dit kunnen beperken.



# CHECKLIST VOOR HET VERHELPEN VAN PROBLEMEN

Controleer altijd de “Checklist voor het verhelpen van problemen” in dit boekje voordat u de servicedienst belt. Onnodige oproepen zijn vervelend voor iedereen en kunnen extra servicekosten veroorzaken.

**Voor uw eigen veiligheid moet u erop letten dat de plafondventilator is uitgeschakeld (OFF) voordat u probeert om een probleem te verhelpen.**

PROBLEEM	MOGELIJKE OORZAKEN	VOORGESTELDE OPLOSSING
1. De ventilator wil niet starten. De ventilator moet UITgeschakeld zijn en het is mogelijk dat u een beroep moet doen op de hulp van een erkende elektricien.	A: De zekering of de kringverbreker is defect.	Controleer de zekeringen en de kringverbrekers.
	B: Losse stroomverbindingen naar de ventilator (doet zich normaal voor tijdens de installatie).	Controleer de stroomverbindingen naar de ventilator. Moet gebeuren door een erkende elektricien.
	C: Geen reactie van de externe zender.	- De laadtoestand van de batterij is laag. Vervang de batterijen. - Controleer of de juiste afstandsbediening aan de ontvanger is gekoppeld.
	D: Schakel de ventilator aan met de handmatige schakelaar.	Controleer of de ventilator van stroom wordt voorzien.
2. De ventilator schommelt (Zie het gedeelte “Verhelpen van schommelen” in de handleiding voor verdere informatie.)	A: De ventilatorbladen bevinden zich niet horizontaal ten opzichte van het plafond.	Zie het gedeelte “Verhelpen van schommelen” in de handleiding. - Het is mogelijk dat het blad moet worden afgesteld met de montageschroeven op het ventilatorblad. - Het ventilatorblad is vervormd en doet de ventilator daardoor schommelen. De ventilatorbladen moeten worden vervangen. Neem contact op met uw verdeler voor meer informatie.
	B: De bladschroeven zitten los.	Maak alle schroeven goed vast.
	C: Blad(en) zijn vervormd.	Verwijder het/ de ventilatorblad(en) en leg ze op een plat oppervlak om te zien of de bladen vervormd zijn. Neem contact op met uw verdeler voor meer informatie.
3. De ventilator is lawaaierig.	A: De bovenkant van de kap raakt het plafond.	Zorg ervoor dat de kap minimum 3 mm van het plafond verwijderd blijft.
	B: Maak de schroeven van de ventilatorbladen los.	Trek alle schroeven op de ventilatorbladen opnieuw goed aan, zonder ze te overdraaien.
	C: De plafondventilator is niet correct tegen het plafond bevestigd.	Trek alle schroeven in de hangende beugel of plaat terug stevig aan.
	D: Onjuiste snelheidsregelaar.	Vervang de regelaar door de meegeleverde regelaar. (Moet worden uitgevoerd door een erkende elektricien.)
4 Mechanische geluiden	A: Laat de ventilator minstens 8 uur rusten	
5. Het licht gaat niet AAN (ALLEEN bij optionele lampkit)	De lamphouder/lamp is defect	Vervang de lamphouder/lamp

**WAARSCHUWING: DE PLAFONDVENTILATOR MOET WORDEN UITGESCHAKELD VOORDAT U DE STORING PROBEERT DE VERHELPEN**

## NOTA'S VOOR DE INSTALLATEURS

- Alle elektrische motoren, inclusief ventilatoren, maken wat lawaai en kunnen warm aanvoelen bij aanraking - dit wijst niet op een defect.
- Sommige ventilatoren schommelen meer dan andere - zelfs binnen hetzelfde model.
- Ventilatorlampen kunnen ratelen, maar worden niet gedekt door de garantie.
- De ventilatorregelaar op de muur maakt een licht zoemend geluid en kan warm worden bij een lage instelling. Deze gevallen worden niet gedekt door de garantie van de fabrikant.

## TECHNISCHE INFORMATIE

Modellen gelijkstroomventilatoren van de SERIEAIRFUSION CLIMATE.	Nominale spanning	Nominaal vermogen (motor)	Batterij voor afstandsbediening
LD52BN,LD52WH LD52CC,LD52AB	220-240VAC	35W	1 x 12V 23AE

## WARRANTY CONDITIONS

**IN AUSTRALIA / NEW ZEALAND CUSTOMER** – Please refer to the separated WARRANTY STATEMENT.

**IN EUROPA** - Als u een Europese klant bent, gelieve contact op te nemen met uw verdeler waar u de ventilator hebt gekocht voor meer info over de garantie.

De garantievoorwaarden van dit product gelden 24 maanden vanaf de aankoopdatum voor gebruik onder normale woonomstandigheden thuis en hebben betrekking op elektrische fouten en fouten in de fabricage.

1. Installatie door een hiervoor bevoegde elektricien.

Deze garantie vervalt, wanneer de plafondventilator niet door een hiervoor bevoegde elektricien geïnstalleerd wordt. Problemen die door ondeskundige installatie ontstaan, zijn niet door de garantie gedekt.

2. Lak en/of metalen bedekking van plafondventilatoren duurt 6 maanden.

3. De garantie is niet van toepassing:

a. De reparatie van gebreken die door ongeval, vuur, ondeskundig gebruik, verbouwen, modificatie nonchalance, ondeskundige of onvolledige installatie/bediening, reparatiepoging van de plafondventilator door onbevoegde personen of overmacht ontstaan.

b. Reclame resp. schade aan meubels, vloerkleden, wanden, plafondondersteuning of elke ander gevolgschade die direct of indirect door een plafondventilator met gebreken ontstaan.

4. Voor de verlichtingsornamenten bestaat een garantie bij een technisch defect. Glasbreuk is niet gedekt. De verlichtingsmiddelen maken ook geen deel uit van de garantie. Verlichtingsornamenten kunnen lawaai en vibraties versterken die ontstaan door los zittend glas of los zittende verlichtingselementen. Dit valt niet onder de garantie. Stelt u binnen 48 uur vanaf aankoopdatum uw plaatselijke dealer hiervan op de hoogte, wanneer u bij het uitpakken gebroken glas hebt aangetroffen.

5. De garantie heeft betrekking op het eventueel voorkomen van echte fouten. Alle elektromotoren veroorzaken bepaalde hoorbare geluiden. De plafondventilator moet tenminste acht uren hebben gelopen, zodat de lagers goed zijn ingelopen.

De ventilator kan, vooral wanneer hij langzaam loopt, warm aanvoelen - dit is geen gebrek. Geluiden veroorzaakt door ventilatoren kunnen door lichte variaties in de stroomspanning of door netfrequentiesignalen bij apparaten die gaan functioneren op energiebesparende tijd, ontstaan.

6. Vastgeschroefde delen, zoals ventilatorbladmoeren kunnen gedurende normaal functioneren een beetje los raken. Daarom moeten deze van tijd tot tijd worden vastgezet, zodat de ventilator geen lawaai gedurende het functioneren veroorzaakt.

7. Er kunnen zich kleine verschillen in de snelheid van verschillende ventilatoren voordoen, zelfs bij het zelfde model. Dit zijn geen productiefouten en ze worden niet door garantie gedekt.

8. Materiaalfouten van de ventilatiebladen vallen niet onder de garantie. Wanneer bij het uitpakken van de ventilatiebladen blijkt, dat deze zijn beschadigd, verzoeken wij u binnen 48 uur vanaf de aankoopdatum uw plaatselijke dealer hiervan op de hoogte te stellen, die u dan een nieuw ventilatieblad zal toesturen. Het is belangrijk om altijd de hele ventilatiebladset te verwisselen, omdat de ventilatiebladen telkens per set worden uitgelijnd. Ventilatiebladen, die door klimatologische omstandigheden of door onderhoudsmaatregelen worden aangetast, vallen niet onder deze garantie.