

TORNO LED WALL SCONCE

SKU# 240790, 240791

Rated Voltage 220-240V~ 50Hz

Thank you for purchasing this quality MFL product. To ensure correct function and safety, please read and follow all instructions carefully before assembly, installation and use of this product. Please keep instructions for future reference.

Warranty

- This luminaire is covered by a 3 year warranty. The warranty is from date of purchase, not the date of installation.
- If the luminaire is not assembled and installed by a licensed electrician the warranty will be void.
- Please retain proof of purchase and evidence of assembly and installation by a licensed electrician.
- Warranty will be void if there is any damage due to improper usage or modification to the luminaire.
- Failure to comply with the instructions in this manual may increase the risk of damage or injury and will void warranty.

Installation Requirements

- This luminaire must be assembled and installed by a licensed electrician.
- All wiring and installation of the luminaire must adhere to latest local and national wiring rules.
eg. AS/NZS 3000 Electrical installations.
- This luminaire is a Class I product and must be earthed.
- Select a suitable location for installation:
 - This luminaire is protected against water penetration to IP65 standards, which is against low pressure jets of water from all direction. This must be maintained during installation.
 - It is suitable for indoor or outdoor use.
 - The mounting point must support 2 times the weight of the luminaire.
- Take care not to pull any electrical wires during unpacking as this may damage the connection.
- Lay out all the components on a smooth surface and make sure there are no components missing before assembling. If parts are missing, return the complete product to the place of purchase for inspection or replacement.
- Check whether the luminaire has been damaged during transport. Do not operate/install any product which appears damaged in any way. Return the complete product to the place of purchase for inspection, repair or replacement.

Installation Directions

Remove all packaging material from the product and be careful not to throw away accessories that may be hidden within the packaging material. If assembly is required, lay the luminaire on a smooth non-scratch surface.

1. Loose the screws on the side of the luminaire then remove the mounting bracket. (Fig 1)
2. Use the mounting bracket as a template to mark the position of the holes onto the ceiling. Drill holes into the wall and place the plastic anchors into the holes. (Fig 2)
3. Secure the mounting bracket onto the wall with the screws provided. Ensure the screws and anchors used are suitable for the mounting surface and the surrounding environment. Water-proof gaskets is provided, make sure it is on the screws before tightening them up. (Fig 2)
4. Connect the mains supply wire to the terminal block. (Fig 3)

Mains Supply Wire

Earth – Yellow/Green

Neutral – Blue or Black

Live – Brown or Red

Luminaire Wire / Terminal block

Yellow/Green or 

Blue or N

Brown or L

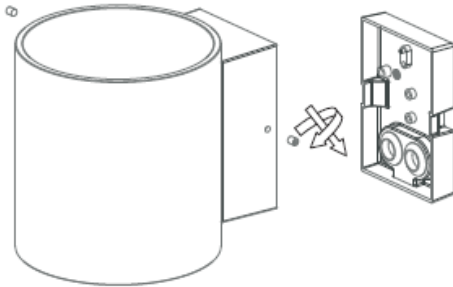
Ensure the wires are secure and no bare wires are exposed.

Installation Instructions

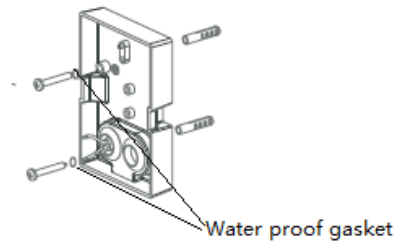
NOTE: A non-corrosive bead of silicone MUST be applied before installation onto the wall ensuring that no water can run down into the cabling.

5. Install the main body on the mounting bracket by tightening the two screws with the provided allen key. (Fig 4)
6. After the installation, switch on the luminaire to test and enjoy your new lighting product.

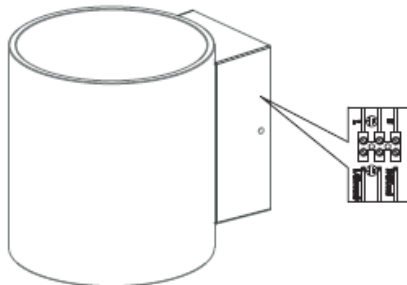
1



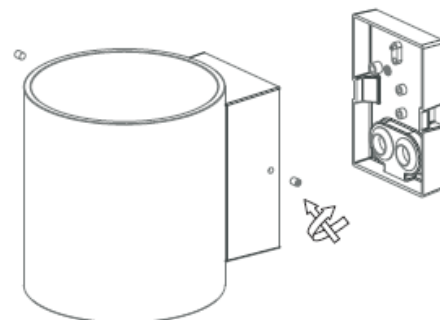
2



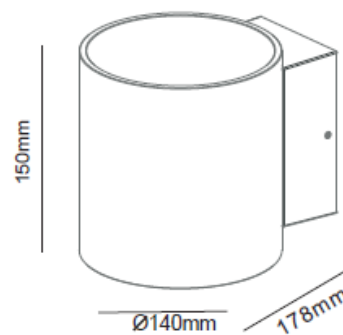
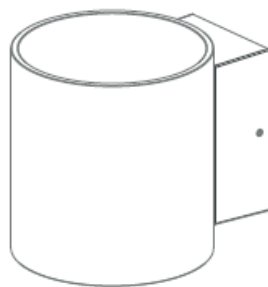
3



4



5



Safety Tips

- Always ensure the power is OFF and the luminaire has cooled down before performing any maintenance, cleaning or making any adjustment to the luminaire.
- To avoid injury or damage to the luminaire, ensure that power leads and screws are secure before connecting the power.
- The light source of this luminaire is not replaceable; when the light source reaches its end of life the whole luminaire shall be replaced.
- The luminaire MUST NOT be used if the shade has been cracked. Replace any cracked protective shield.
- To clean, wipe with a soft damp cloth. Do NOT soak or immerse the product in water or other liquids.
- Ensure that the luminaire does not come in contact with corrosive chemicals/solvents or abrasive cleaners etc.

Specifications		
SKU #	240790	240791
Colour	Black	White
Rated Voltage	220-240V~ 50Hz	
Rated Wattage	10W	
LED Specs	Seoul LEDs, 400 Lumens, 3000K, CRI 85, Non-Dimmable	
IP Rating	IP65	
Weight	1.2kg	
Dimensions	H:150mm Dia:140mm Ext:178 mm	