

BANGALOW PENDANT

SKU# 011780, 011781

Rated Voltage 220-240V~ 50Hz

Thank you for purchasing this quality Lucci product. To ensure correct function and safety, please read and follow all instructions carefully before assembly, installation and use of this product. Please keep instructions for future reference.

Warranty

- This luminaire is covered by a 12 month warranty. The warranty is from date of purchase, not the date of installation.
- If the luminaire is not assembled and installed by a licensed electrician the warranty will be void.
- Please retain proof of purchase and evidence of installation by a licensed electrician.
- Warranty will be void if there is any damage due to improper usage or modification to the luminaire.
- Failure to comply with the instructions in this manual may increase the risk of damage or injury and will void warranty.

Installation requirements

- Must be assembled and installed by a licensed electrician.
- All wiring and installation of the luminaire must adhere to latest local and national wiring rules.
eg. AS/NZS 3000 Electrical installations.
- Do not exceed the maximum wattage rating.
- Select a suitable location for installation:
 - This product is suitable for indoor use only.
 - The mounting point must support 2 times the weight of the luminaire.
 - Ensure the luminaire is not installed in direct line of an air vent/system.
 - If installing a luminaire in an area prone to moisture, ensure that the area is well ventilated and an appropriately rated exhaust fan is used if required. Damage or corrosion caused by moisture is not a product fault, and as such is not covered under warranty.
- Take care not to pull any electrical wires during unpacking as this may damage the connection.
- Lay out all the components on a smooth surface and make sure there are no components missing before assembling. If parts are missing, return the complete product to the place of purchase for inspection or replacement.
- Check whether the luminaire has been damaged during transport. Do not operate/install any product which appears damaged in any way. Return the complete product to the place of purchase for inspection, repair or replacement.
- Ensure power to the circuit you are working on has been switched OFF before commencing any electrical work.

Installation directions


1. Remove all packaging material from the product and be careful not to throw away accessories that may be hidden within the packaging material. To help with assembly, lay the luminaire on its side on a smooth non scratch surface.
2. Remove the metal bracket (G) from the lamp shade.
NOTE: The metal bracket (G) is only used for avoiding damage on the lamp shade during transportation. It is not part of the luminaire. It must be removed before continuing the next step.
3. Use the mounting bracket (C) as a template to mark the position of the holes onto the ceiling.
4. Drill holes into the ceiling and place the plastic anchors (B) into the holes. Secure the mounting bracket (C) onto the ceiling with the screws (D) provided. Ensure the screws (D) and anchors (B) used are suitable for the mounting surface and the surrounding environment.
5. To change the height of the pendant, adjust the cord suspension length by loosening the cord anchorage (I). After reaching the desired height, ensure the cord anchorage (H) is re-tightened without damaging the cord (J).

- Connect the mains supply wire to the terminal block (A) provided. Ensure that the wires are secure and no bare wires are exposed. Then secure the cover on the terminal block.

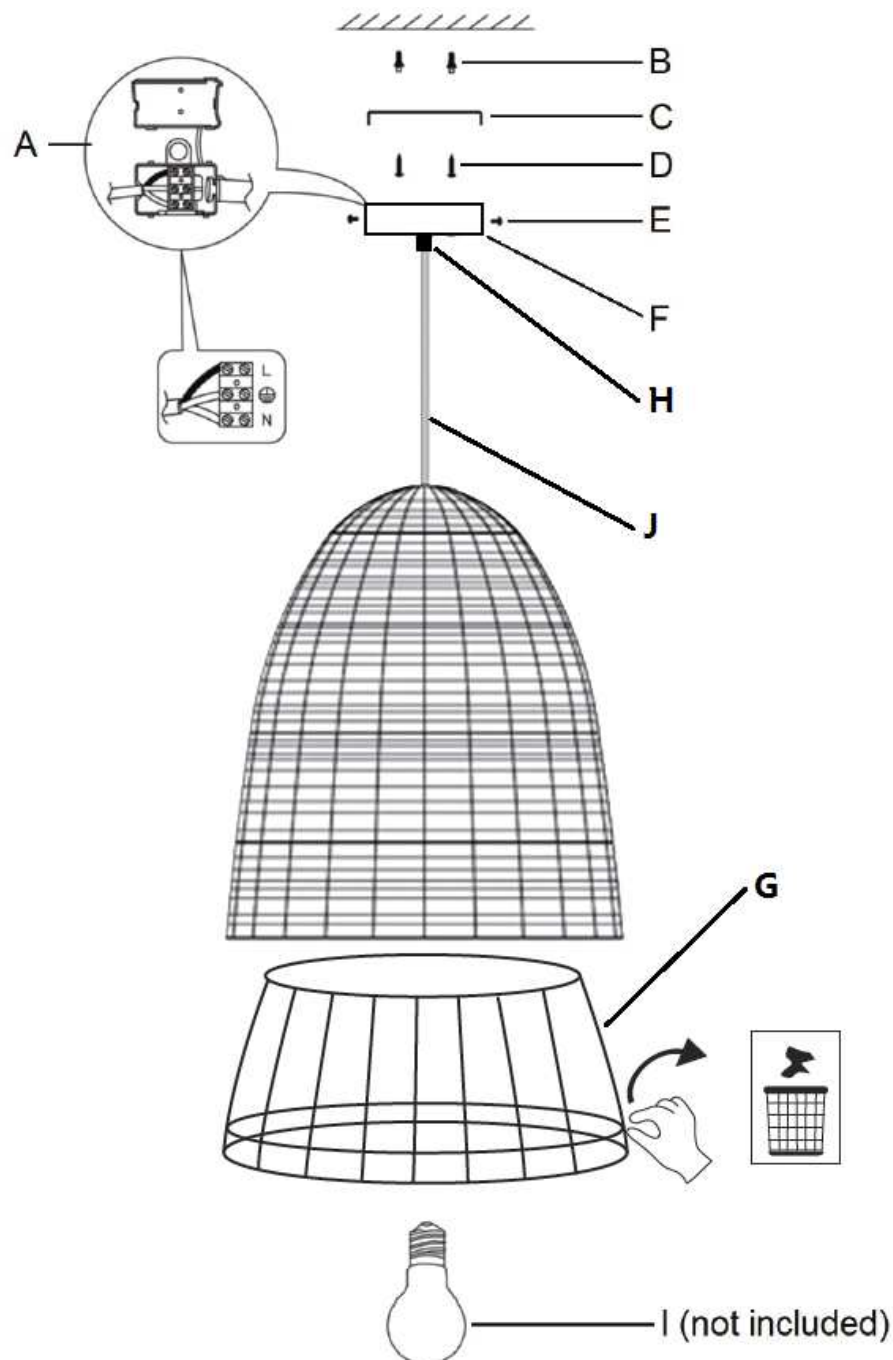
Mains Supply Wire

Earth – Yellow/Green
 Neutral – Blue or Black
 Live – Brown or Red

Luminaire Wire / Terminal block

Yellow/Green or 
 Blue or N
 Brown or L

- Install the canopy (F) onto the mounting bracket (C) and secure by tightening the screws on the side (E).
- Install a globe (I - not included) into the lamp holder.
- After the installation, switch on the luminaire to test and enjoy your new lighting product.



Safety tips

- Always ensure the power is OFF and the luminaire has cooled down before performing any maintenance, cleaning, changing the globe or making any adjustment to the luminaire.
- To avoid injury or damage to the luminaire, ensure that power leads and screws are secure before connecting the power.
- Select a suitable location away from liquids and hazards.
- Ensure that the luminaire does not come in contact with corrosive chemicals/solvents or abrasive cleaners etc.
- To clean, wipe with a damp clean cloth. Do NOT soak or immerse the product in water or other liquids.

Specifications

SKU #	011780	011781
Colour	White wash	Grey
Rated Voltage	220-240V~ 50Hz	
Rated Wattage	45W Max.	
Lamp Holder	ES / E27	
Weight	2.38kg	
Canopy size	H:25mm Dia:120mm	
Dimensions	H:475mm Dia:415mm Susp:2000mm	