

SENTINEL 2 LIGHTS SPOT LIGHT WITH PIR SENSOR

SKU# 240735, 240736, 240737, 239454

Rated Voltage 220-240V~ 50Hz

Thank you for purchasing this quality Lucci product. To ensure correct function and safety, please read and follow all instructions carefully before assembly, installation and use of this product. Please keep instructions for future reference.

Warranty

- The luminaires (SKU# 239454, 240735, 240736) are covered by a 12 month warranty.
The luminaire (SKU# 240737) is covered by 5 year warranty.
The warranty is from date of purchase, not the date of installation.
- If the luminaire is not assembled and installed by a licensed electrician the warranty will be void.
- Please retain proof of purchase and evidence of installation by a licensed electrician for any warranty enquiries.
- Warranty will be void if there is any damage due to improper usage or modification to the luminaire.
- Failure to comply with the instructions in this manual may increase the risk of damage or injury and will void the warranty.

Installation requirements

- Must be assembled and installed by a licensed electrician.
- All wiring and installation of the luminaire must adhere to latest local and national wiring rules.
eg. AS/NZS 3000 Electrical installations.
- Do not exceed the maximum wattage rating.
- Select a suitable location for installation:
 - The mounting point must support 2 times the weight of the luminaire.
 - This luminaire is protected against water penetration to IP65 standards, which is against low pressure jets of water from all practicable direction. This must be maintained during installation.
- Take care not to pull any electrical wires during unpacking as this may damage the connection.
- Lay out all the components on a smooth surface and make sure there are no components missing before assembling. If parts are missing, return the complete product to the place of purchase for inspection or replacement.
- Check whether the luminaire has been damaged during transport. Do not operate/install any product which appears damaged in any way. Return the complete product to the place of purchase for inspection, repair or replacement.

PIR sensor information

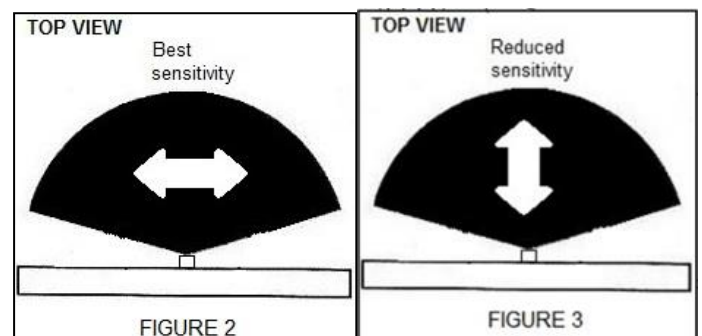
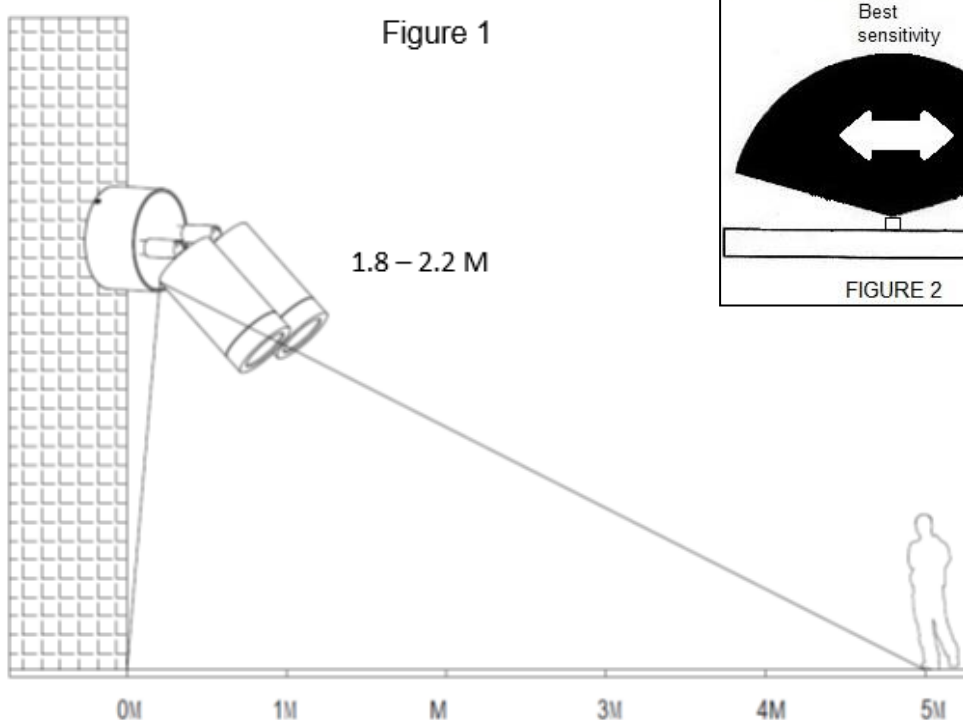
PIR (PASSIVE INFRA RED) SENSOR:

The luminaire has a PIR (Passive Infra Red) sensing device which continuously scans the operating zone and immediately switches the luminaire on when it detects movement in that area. Whenever movement is detected within the range of the sensor, the luminaire will switch on automatically to illuminate the area. While there is movement within the sensor range, the luminaire will remain on.

SENSOR LOCATION & INFORMATION:

To find a suitable location for installation, please take into consideration the following points:

- The ideal mounting height for the luminaire is between 1.8m to 2.2m above the detection area. Fig 1.
- The detection area is approximately 5 metres away at an angle of 90° wide. This may vary depending on the mounting height and location.
- The detection area may also alter at different temperatures. PIR sensors are more sensitive in cold weather than warm weather.
- The sensor has better sensitivity with movement across the detection area. Fig 2.
- The sensor has reduced sensitivity with movement towards and away from the detection area. Fig 3.
- If movement is made walking directly towards or away from the sensor and not across, the apparent detection range will be substantially reduced.
- To avoid false triggering, the sensor should be directed away from potential heat sources, such as barbecues, air-conditioners, air vent etc.
- Also avoid areas with electromagnetic disturbance, outside lighting, moving cars, trees or pets etc.
- Avoid installing the luminaire in close proximity or on the same circuit to any fluorescent luminaires or ceiling fans. RFI (Radio Frequency Interference) may cause the luminaire to switch on unintentionally.
- Do not aim the sensor towards reflective surfaces, such as smooth white walls, swimming pools etc.
- To avoid damage to the sensor, do not aim the sensor towards the sun.
- It is recommended that the luminaire is installed on its own switch and does not interconnect with other lights on the same switch as it may cause false triggering.



Installation Directions

1. Remove all packaging material from the product and be careful not to throw away accessories that may be hidden within the packaging material.
2. Switch off the power to the circuit before commencing any electrical work or installation of the luminaire. (Fig.1)
3. Remove the lamp covers & the lamp retaining ring. (Fig.2)
4. Install the globes (not included) into the lamp holders. Do not exceed the maximum wattage rating. Must use an energy saving LED or CFL globe only. Install the lamp retaining ring & lamp covers back onto the luminaire. (Fig. 3)
5. Remove the mounting bracket from the luminaire by loosening the grub screws on the side. (Fig.4)
6. Install the mounting bracket onto the wall by using appropriately sized mounting screws and anchors. Ensure the mounting screws and anchors used are suitable for the mounting surface and surrounding environment. (Fig.5, 6)

NOTE: A non-corrosive bead of silicon MUST be applied before installation onto the wall ensuring that no water can run down into the cabling.

NOTE: There are silicone gaskets provided. The gasket must be placed on the mounting screws before tightening them.

7. Connect the mains supply wire to the terminal block. Ensure that the wires are secure and no bare wires are exposed. (Fig.7)

Mains Supply Wire

Earth – Yellow/Green

Live – Brown or Red

Neutral – Blue or Black

Luminaire Wire / Terminal label

Yellow/Green or 

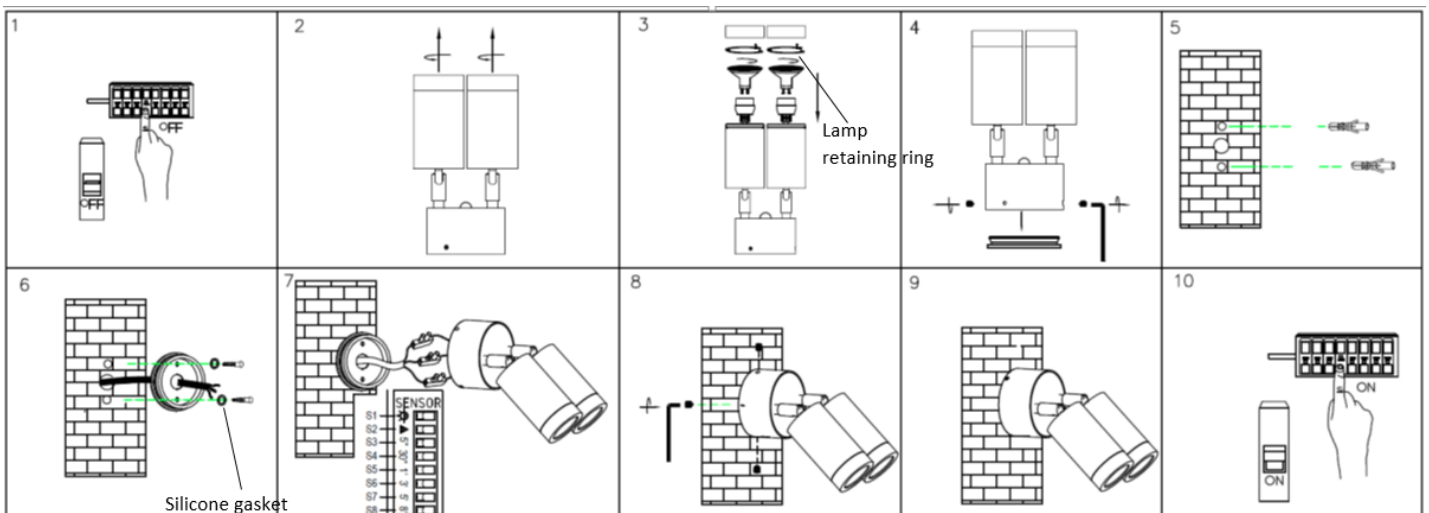
Live or L

Neutral or N

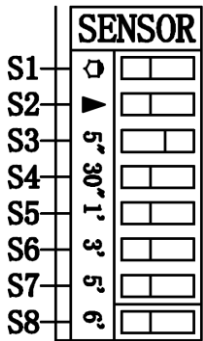
8. Set the sensor switch settings. Refer to the switch settings on the next page.

NOTE: This is a one-time setting and must be done by a licensed electrician

9. Take note of the directional label and install the luminaire back onto the mounting bracket and secure by tightening the grub screws. (Fig.8)
10. Make any final adjustments to the luminaire and check that all parts are secured tightly before turning the power on. (Fig.9 & 10)



Sensor Switch Settings




NOTE: Any changes to the sensor switch settings must be done by a licensed electrician.

NOTE: Ensure power to the circuit you are working on has been switched OFF before commencing.

LUX LEVEL:


The lux control module has a built-in sensing device (photocell) that detects daylight and darkness.

Set the switch S1 () to the **left** position means that the luminaire will work at both day and night.

Set the switch S1 () to the **right** position will only work at night.

NOTE: If you want to test the detection area of the PIR sensor, please wait for the ambient light level is below 20 lux.

ADJUSTING THE SENSITIVITY:

The sensitivity switch S2 () means the distance which PIR Sensor can be triggered by movement body.

Set the S2 switch to the **left** position, the PIR sensor can be triggered by movement body less than 5 meters.

Set the S2 switch to the **right** position, the PIR sensor can be triggered by movement body less than 3 meters.

DURATION TIME:

The length of time the light will remain switched on after activation can be adjusted from 5secs to 8mins

(Switches: S3=5sec, S4=30sec, S5=1min, S6=3mins, S7=5mins, S8=8mins).

For example, slide the switch S3 to the **right** position will activate the duration time to be 5 seconds.

NOTE: Only one duration time switch can be selected. Do not have more than one switch (S3 – S8) in the right position, the duration time setting will not work.

NOTE: Once the light has been triggered by the PIR sensor, any subsequent detection will start the timed period again from the beginning, the light will remain on until there is no movement detected by the PIR sensor.

MANUAL MODE: (Sensor Override Function)

Manual mode is used when you want the luminaire to be constantly on. The PIR sensor will be disabled and is not affected by the duration time and lux level settings.

- During normal use the wall switch is in the ON position and the luminaire is in AUTO MODE with the PIR sensor detecting any movement and the luminaire will switch on and off accordingly.

- To switch into MANUAL MODE, turn the wall switch off and on twice within three seconds.

Wall switch action: OFF → ON → OFF → ON.

Wait for 3 seconds and the luminaire will turn on and the luminaire will be in MANUAL MODE.

NOTE: If the wall switch action is done only once or more than twice, the luminaire will not enter into MANUAL MODE.

- To change back to AUTO MODE, turn the wall switch off and on, the luminaire will enter “warm-up” mode and the luminaire will remain on for about 15 seconds. After this the luminaire will turn off and the luminaire will be in AUTO MODE.

Wall switch action: OFF → ON

Safety Tips

- Always ensure the power is OFF and the luminaire has cooled down before performing any maintenance, cleaning, changing the globe or making any adjustment to the luminaire.
- To avoid injury or damage to the luminaire, ensure that power leads and screws are secure before connecting the power.
- The luminaire must not be used if the protective shield has been cracked. Replace any cracked protective shield before using the luminaire.
- To clean, wipe with a soft damp cloth. Do NOT soak or immerse the luminaire in water or other liquids.
- Ensure that the luminaire does not come in contact with corrosive chemicals/solvents or abrasive cleaners etc.

Specifications

SKU #	239454	240735	240736	240737
Colour	White	Black	304 stainless steel	316 stainless steel
Rated Voltage	220-240V~ 50Hz			
Rated Wattage	20W Max. (Use 2 x Max.10W globes, LED Only)			
Lamp Holder	GU10			
IP Rating	IP65			
Weight	1.0kg		1.7kg	
Dimensions	H:265mm W:335mm E:225mm			