

WITNER LED WALL BRACKET

SKU# 240811

Rated Voltage 220-240V~ 50Hz

Thank you for purchasing this quality Lucci product. To ensure correct function and safety, please read and follow all instructions carefully before assembly, installation and use of this product. Please keep instructions for future reference.

Warranty

- This luminaire is covered by a 3 year warranty. The warranty is from date of purchase, not the date of installation.
- If the luminaire is not assembled and installed by a licensed electrician the warranty will be void.
- Please retain proof of purchase and evidence of installation by a licensed electrician.
- Warranty will be void if there is any damage due to improper usage or modification to the luminaire.
- Failure to comply with the instructions in this manual may increase the risk of damage or injury and will void warranty.

Installation requirements

- Must be assembled and installed by a licensed electrician.
- All wiring and installation of the luminaire must adhere to latest local and national wiring rules. eg. AS/NZS 3000 Electrical installations.
- This luminaire is not suitable for use with dimmer switches and should not be used on a circuit which has a dimmer.
- Select a suitable location for installation:
 - This luminaire is protected against water penetration to IP54 standards, which is splashing from every direction. This must be maintained during installation.
 - It is suitable for indoor or outdoor use.
 - The mounting point must support 2 times the weight of the luminaire.
- Take care not to pull any electrical wires during unpacking as this may damage the connection.
- Lay out all the components on a smooth surface and make sure there are no components missing before assembling. If parts are missing, return the complete product to the place of purchase for inspection or replacement.
- Check whether the luminaire has been damaged during transport. Do not operate/install any product which appears damaged in any way. Return the complete product to the place of purchase for inspection, repair or replacement.

Installation directions

Remove all packaging material from the product and be careful not to throw away accessories that may be hidden within the packaging material.

1. Switch off the power before commencing the installation. (Fig.1)
2. Remove the mounting bracket by loosening the screws from both sides using the allen key provided. (Fig.2)
3. Adjust the colour temperature according to your needs by using the switch A. (Fig.3)
4. Install the mounting bracket on the wall by using appropriately sized mounting screws and anchors. Ensure the screws and anchors used are suitable for mounting surface and the surrounding environment. (Fig.4, 5)
NOTE: It is recommended that a non-corrosive bead of silicone be applied before installation onto the wall ensuring that no water can run down into the cabling.
5. Connect the mains supply wire to the luminaire using the terminal block provided. Ensure that the wires are secure and no bare wires are exposed. (Fig.6)

Mains Supply Wire

Earth – Yellow/Green

Live – Brown or Red

Neutral – Blue or Black

Terminal block

Yellow/Green or

Live (L)

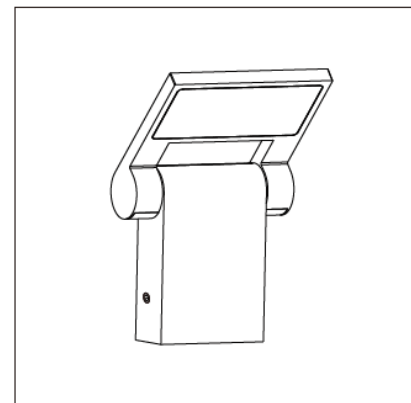
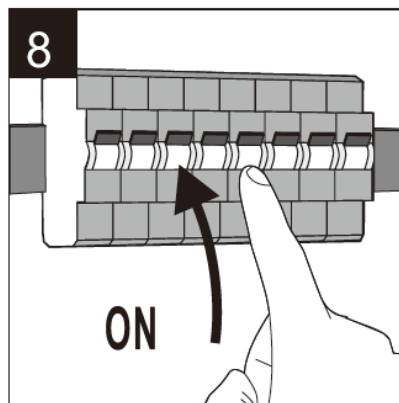
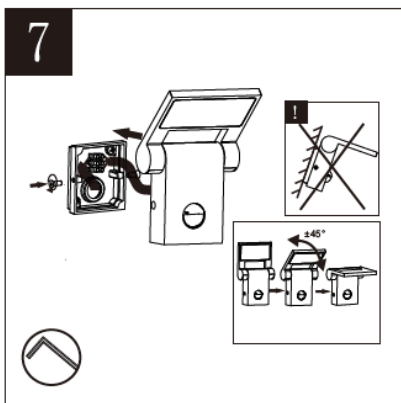
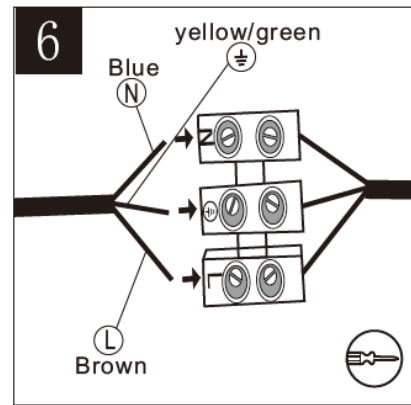
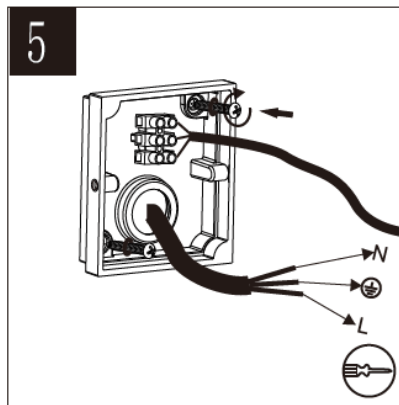
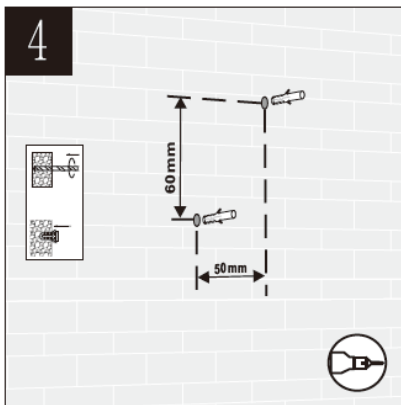
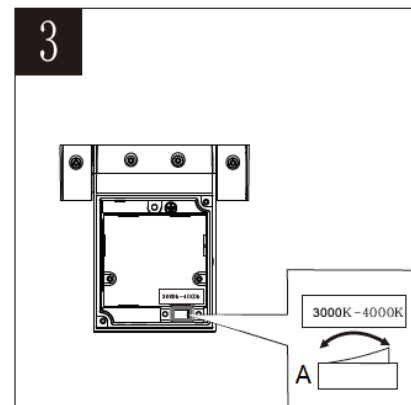
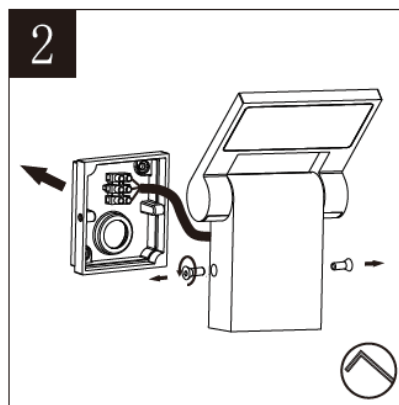
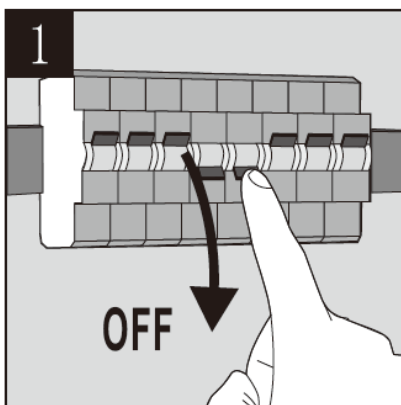
Neutral (N)

6. Install the luminaire back onto the mounting bracket by tightening the screws on the both sides. (Fig.7)

NOTE: Check and ensure the two screws are tightened.

7. Make any final adjustments to the luminaire and check that all parts are secured tightly before turning the power on. (Fig.8)

NOTE: When adjusting the height of the head, do not adjust more than 90° as this may damage the internal wires.



Safety tips

- Always ensure the power is OFF and the luminaire has cooled down before performing any maintenance, cleaning, or making any adjustment to the luminaire.
- To avoid injury or damage to the luminaire, ensure that power leads and screws are secure before connecting the power.
- The luminaire must not be used if the shades has been cracked. Replace any cracked protective shield.
- The light source of this luminaire is not replaceable; when the light source reaches its end of life the whole luminaire shall be replaced.
- Ensure that the luminaire does not come in contact with corrosive chemicals/solvents or abrasive cleaners etc.
- To clean, wipe with a damp clean cloth. Do NOT soak or immerse the product in water or other liquids.

Specifications

SKU #	240811
Colour	Black
Rated Voltage	220-240V~ 50Hz
Rated Wattage	10W Max.
LED Specs	700 lumen, CCT 3000K/4000K, CRI > 80, Non-dimmable
IP Rating	IP54
Weight	0.6kg
Dimensions	H:204mm W:120mm E:130mm