

GECKO 24V RGB BOLLARD

SKU# 221076

Rated Voltage 24V DC

Thank you for purchasing this quality LUCCI product. To ensure correct function and safety, please read and follow all instructions carefully before assembly, installation and use of this luminaire. Please keep instructions for future reference.

NOTE: This installation instruction applies to the 24V side of the luminaire only.

This luminaire is 24V extra-low voltage and can be DIY.

Do not plug this luminaire directly into 240V.

When working with 240V, a licensed electrician is required.

The GECKO control box (SKU# 221080), GECKO wiring kit (SKU# 221082, 221083, 221084, 221085), GECKO transformer (SKU# 221070, 221071, 221072) are sold separately.

Warranty

- This luminaire is covered by a 3 year warranty. The warranty is from date of purchase, not the date of installation.
- Please retain proof of purchase for any warranty enquiries.
- Warranty will be void if there is any damage due to improper usage or modification to the luminaire.
- Failure to comply with the instructions in this manual may increase the risk of damage or injury and will void warranty.

Installation Requirements

- All wiring and installation of the luminaire must adhere to the latest local and national wiring rules. eg. AS/NZS 3000 Electrical installations. If unsure, please contact a licensed electrician.
- Do not exceed the maximum wattage rating.
- This luminaire is rated IP65. This must be maintained during installation.
- Replace any cracked protective lamp shade to maintain IP rating when using this luminaire.
- Select a suitable location for installation:
 - This luminaire is protected against water penetration to IP65 standards, which is against low pressure jets of water from all practicable directions. This must be maintained during installation.
 - The wiring kit and connectors are not suitable for underground installation without protection from water or damp conditions. It is not designed to be immersed in water.
 - The installation location may require a gravel substrate to help with water drainage, to prevent the wiring kit and connectors being submerged in water after heavy rain or from watering the garden.
- Take care not to pull any electrical wires during unpacking as this may damage the connection.
- Lay out all the components on a smooth surface and make sure there are no components missing before assembling. If parts are missing, return the complete product to the place of purchase for inspection or replacement.
- Check whether the luminaire has been damaged during transport. Do not operate/install any product which appears damaged in any way. Return the complete product to the place of purchase for inspection, repair or replacement.
- Ensure power to the circuit you are working on has been switched OFF before commencing any electrical work.

Installation Directions

Remove all packaging material from the product and be careful not to throw away accessories that may be hidden within the packaging material. If assembly is required, place the luminaire on a smooth non-scratch surface.

USING GECKO WIRING KIT AND TRANSFORMERS (both sold separately)

1. Turn off the main supply before installation (Fig.1)
2. Select a suitable location to install the bollard (Fig.2)
3. Install the bollard onto the ground/deck by using mounting screws and anchors with appropriate sizes (Fig.3)
4. Remove the cover from the connector on the wiring kit (SKU# 221082, 221083, 221084, 221085 – sold separately).
Connect the bollard to the wiring kit. **NOTE: The wiring kit is rated for a Max. 150W load only.**
Connect the wiring kit (SKU# 221082, 221083, 221084, 221085 – sold separately) to the GECKO control box (SKU# 221080).
Connect the GECKO control box to the transformer (SKU# 221070, 221071, 221072 – sold separately). **NOTE: The transformers are rated for 40W, 75W and 150W load respectively.** (Fig.3)

NOTE: The total power of the luminaires must not be over the maximum rated power of the GECKO wiring kit, control box, and the transformers.

Proceed to step 6.

USING OTHER TRANSFORMER (not included)

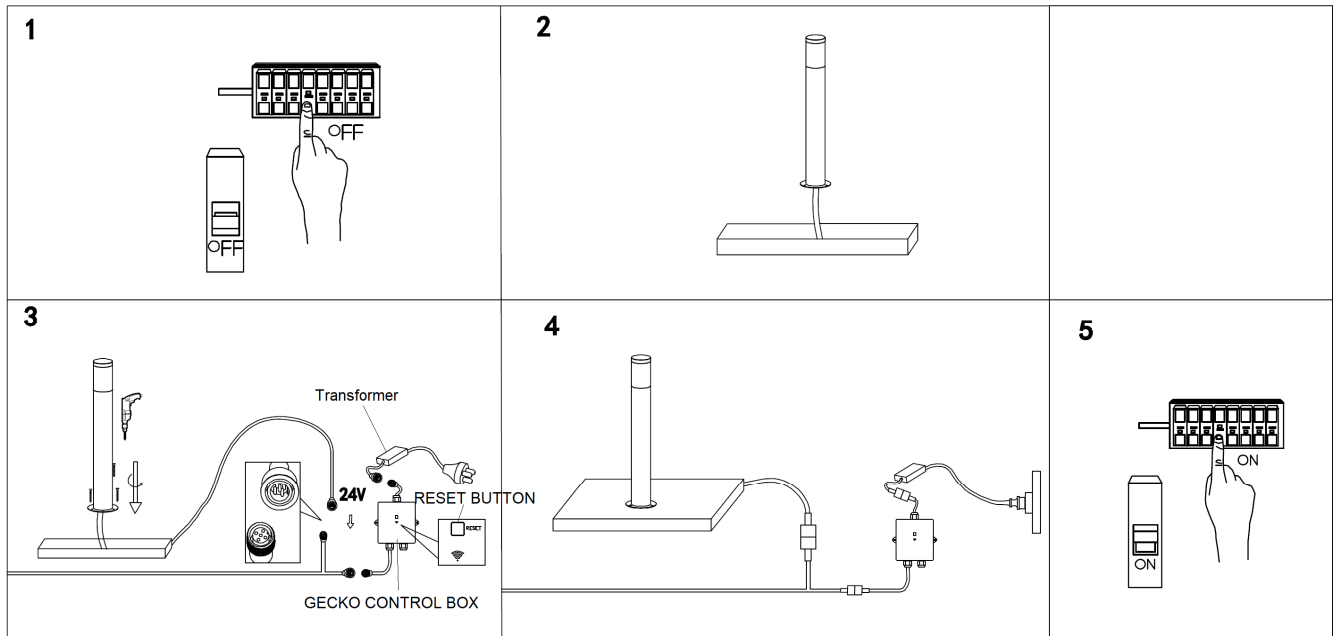
5. Remove the 24V quick connector from the cable of the control box for hard wiring to alternative power supply system. This luminaire is rated IP65, this must be maintained during wiring and installation.
Ensure that the wires are secure and no bare wires are exposed. Ensure all wiring and the transformer used are appropriately rated and suitable for the location used. **If unsure, please contact a licensed electrician.**

Proceed to step 6.

6. Insert the plug into the mains power socket outlet and ensure it is fully plugged in. (Fig.4)
7. Switch on the power then set up the wireless & in-app control according to the '[Lucci CONNECT user guide](#)'.

NOTE: Turn on the Bluetooth function of your mobile phone before setting up.

NOTE: Check if the luminaires blink for every 2 seconds before setting up. Hold the reset button on the control box for 5s or switch the main power on/off for 4 times if the luminaires do not blink.



Safety Tips

- Always ensure the power is OFF and the luminaire has cooled down before performing any maintenance, cleaning, or making any adjustment to the luminaire.
- The external flexible cable or cord of this luminaire cannot be replaced; if the cable or cord is damaged, the luminaire shall be destroyed.
- To avoid injury or damage to the luminaire, ensure that power leads and screws are secure before connecting the power.
- The luminaire must not be used if the protective shield has been cracked. Replace any cracked protective shield before using the luminaire.
- Ensure that the luminaire does not come in contact with corrosive chemicals/solvents or abrasive cleaners etc.
- To clean, wipe with a damp clean cloth. Do NOT soak or immerse the luminaire in water or other liquids.

Specifications

SKU #	221076
Color	Black
Rated Voltage	24V DC
LED Specs	8W, Max.400 lumen, 3000K, CRI > 80, RGB
IP Rating	IP65
Weight	1.2kg
Dimensions	D: 120 mm H: 600mm