

SWITCHES + POWERPOINTS



Contents

Introduction	5
Range overview	6 - 7
MFL Forge Modern	8 - 11
MFL Forge Heritage	12 - 13
MFL Forge Mechanisms & Accessories	14 - 15
MFL Axis	16- 21
Buster + Punch Electricity Polycarbonate	22 - 27
Buster + Punch Electricity Metal	28 - 29
Buster + Punch Mechanisms & Detail Kits	30 - 31
Vynco Metro	32 - 37
Vynco Urban	38 - 41
Vynco Mechanisms	42 - 45
Vynco Metro X Outdoor	46 - 47
Lucci Power Ion	48 - 53
Lucci Power Gravity	54 - 59
Lucci Power Dimmer Mechanisms	60 - 61
Lucci Power Switch Mechanisms	62
Lucci Power Data and Other Mechanisms	63
Lucci Power USB Mechanisms	64 - 65
Lucci Power Outdoor	66 - 67
Zimi Senoa	68 - 71
Zimi Powermesh	72 - 77

Leading **INNOVATION**

Explore a refined edit of switches and powerpoints, curated to complement Australian interiors.

Each piece has been carefully selected for its balance of design integrity, everyday durability, and overall style - offering a considered alternative to the standard, and a seamless fit within your material palette.

MFL MODERN
FORM
LIGHTING

LUCCI
Power®

BUSTER+PUNCH
LONDON

VYNCO

ziimi



MFL FORGE MODERN | PAGE 10



SKU 291021 / SKU 291085



SKU 291040

MFL FORGE HERITAGE | PAGE 12

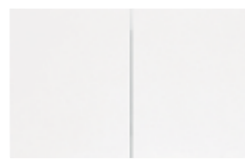


SKU 291052 / SKU 291091



SKU 291066

MFL AXIS | PAGE 18



SKU 297201



SKU 297214

BUSTER + PUNCH

BUSTER + PUNCH ELECTRICITY POLYCARBONATE | PAGE 24



SKU 299095



SKU 299104

BUSTER + PUNCH ELECTRICITY METAL | PAGE 28



SKU 299675



SKU 299690

VYNCO

VYNCO METRO | PAGE 34



SKU 299397



SKU 291066

VYNCO URBAN | PAGE 40



SKU 299605



SKU 299611

VYNCO METRO X OUTDOOR | PAGE 46



SKU 299720

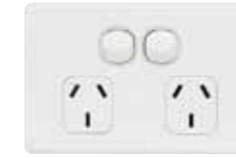


SKU 299724

LUCCI POWER ION | PAGE 50



SKU 299531



SKU 299511

LUCCI POWER GRAVITY | PAGE 56



SKU 299220



SKU 299252



SKU 290010

LUCCI POWER OUTDOOR | PAGE 76 - 77



SKU 299158



SKU 299155

ZIMI SENŌA | PAGE 70



SKU 299630



SKU 299642

ZIMI POWERMESH | PAGE 74



SKU 299189



SKU 299186



MFL Forge

MFL Forge is a premium collection of customisable switches expertly crafted from high-quality stainless steel with painted matte and electroplated brushed finishes. Designed for versatility and true aesthetic appeal, choose from the Heritage and Modern ranges, with customisable toggles and dimmer details to suit any design style. Forge balances functionality with refined style, making it the ultimate choice for sophisticated interiors.

Reinforced backplate

Compatible with standard mechanisms

Reinforced mounting screw holes

Flat mounting

Larger terminals

Easy fit screw cap cover

291021
5AA-250023-EA

MUST BE INSTALLED TO COVER SCREW HOLES DO NOT DISCARD

MUST BE INSTALLED TO COVER SCREW HOLES DO NOT DISCARD

MUST BE OPENED BY QUALIFIED OR LICENSED PERSONS ONLY

Compatible with Lucci Power rotary dimmers

Finished in white, antique brass and bronze

16A 1 and 2 way switch mechanism & 10A intermediate switch mechanism available

Slim 6.1mm design

Customise styles and finishes

201 stainless steel material

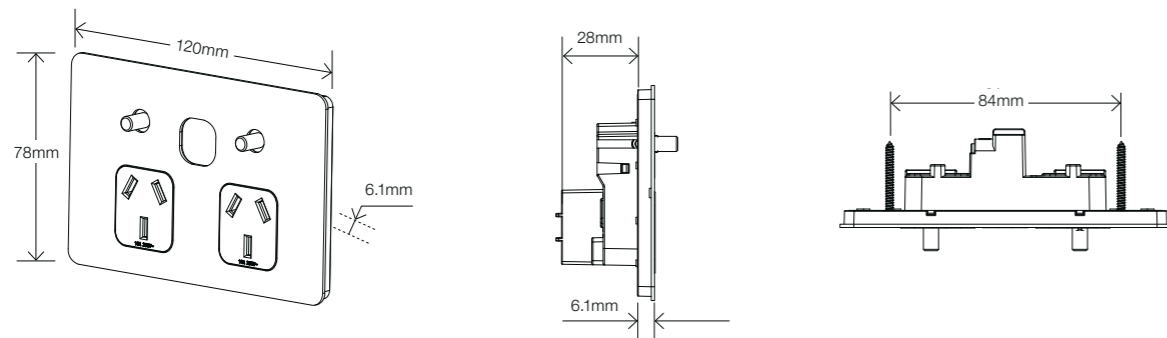
Finished in white, black, brass and aged nickel

MFL Forge Modern - Powerpoints



Mounting position Horizontal	Mounting centers 84mm	Mounted extension 6.1mm	Terminal screws PH2	Control type Toggle switch	Terminal capacity 4 x 2.5mm ²
Stripping length 16mm	Recessed depth 30mm	Cut-out 95mm x 54mm	Warranty 10 years	Approval number SAA-242036-EA	Compliance standard AS/NZS 3112:2017 AS/NZS 3100:2022

Colour	Material	Finish	Forge Modern Twin Powerpoint	Forge Modern Twin Powerpoint Extra Switch
			SKU	SKU
White	201 stainless steel fascia and polycarbonate plate	Painted, Matte	291036	291040
Black	201 stainless steel fascia and polycarbonate plate	Painted, Matte	291037	291041
Brass	201 stainless steel fascia and polycarbonate plate	Electroplated, Brushed	291038	291042
Aged Nickel	201 stainless steel fascia and polycarbonate plate	Electroplated, Brushed	291039	291043

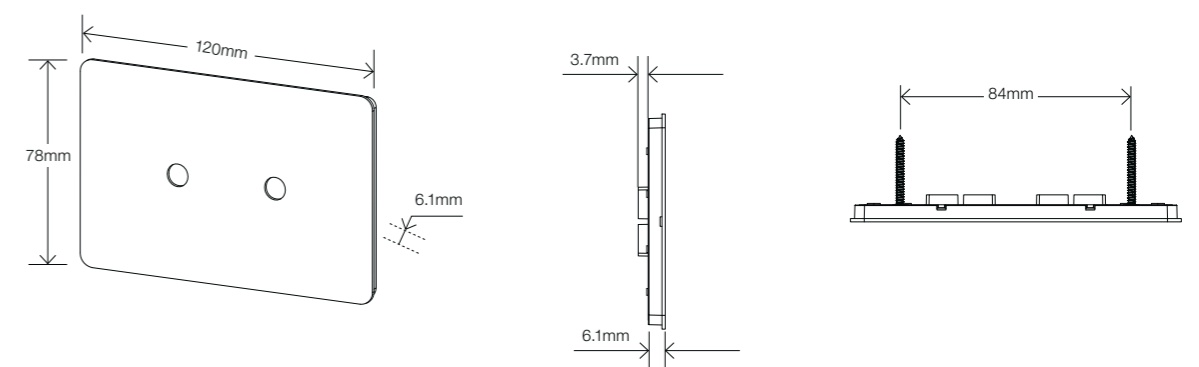


MFL Forge Modern - Grid Plates



Mounting position Horizontal or vertical	Mounting centers 84mm	Mounted extension 6.1mm	Terminal screws N/A	Control type Toggle switch	Terminal capacity N/A
Stripping length N/A	Recessed depth 27mm includes switch	Cut-out 95mm x 54mm	Warranty 10 years	Approval number SAA250023-EA	Compliance standard AS 3133:2020 AS/NZS 3100:2022

Colour	Material	Finish	1G Grid Plate	2G Grid Plate	3G Grid Plate	4G Grid Plate
			SKU	SKU	SKU	SKU
White	201 stainless steel fascia and polycarbonate plate	Painted, Matte	291020	291021	291022	291123
Black	201 stainless steel fascia and polycarbonate plate	Painted, Matte	291024	291025	291026	291027
Brass	201 stainless steel fascia and polycarbonate plate	Electroplated, Brushed	291028	291029	291030	291031
Aged Nickel	201 stainless steel fascia and polycarbonate plate	Electroplated, Brushed	291032	291033	291034	291035

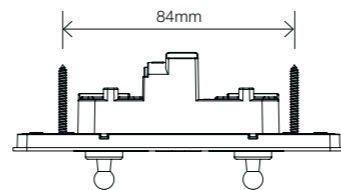
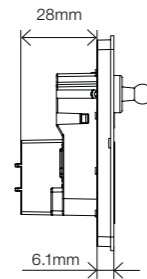
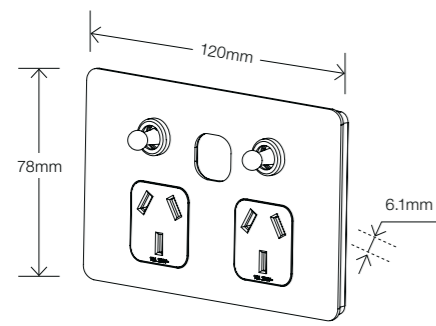


MFL Forge Heritage - Powerpoints



Mounting position Horizontal	Mounting centers 84mm	Mounted extension 6.1mm	Terminal screws PH2	Control type Toggle	Terminal capacity 4 x 2.5mm ²
Stripping length 16mm	Recessed depth 30mm	Cut-out 95mm x 54mm	Warranty 10 years	Approval number SAA-242036-EA	Compliance standard AS/NZS 3112 AS/NZS 3100

Colour	Material	Finish	Twin Powerpoint SKU	Twin Powerpoint Extra Switch SKU
White	201 stainless steel fascia and polycarbonate plate	Painted, Matte	291063	291066
Antique Brass	201 stainless steel fascia and polycarbonate plate	Electroplated, Brushed	291064	291067
Bronze	201 stainless steel fascia and polycarbonate plate	Electroplated, Brushed	291065	291068

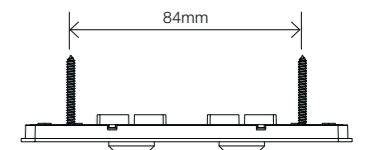
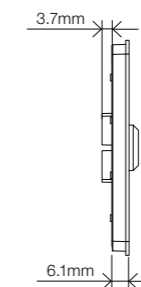
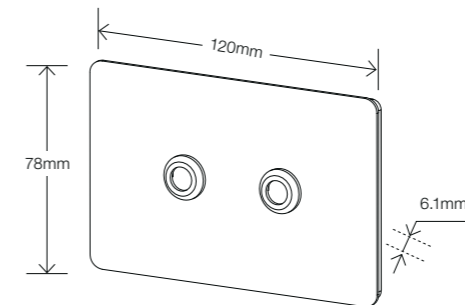


MFL Forge Heritage - Grid Plates



Mounting position Horizontal or vertical	Mounting centers 84mm	Mounted extension 6.1mm	Terminal screws N/A	Control type Toggle	Terminal capacity N/A
Stripping length N/A	Recessed depth 27mm includes switch	Cut-out 95mm x 54mm	Warranty 10 years	Approval number SAA250023-EA	Compliance standard AS 3133 AS/NZS 3100

Colour	Material	Finish	1G Grid Plate SKU	2G Grid Plate SKU	3G Grid Plate SKU	4G Grid Plate SKU
White	201 stainless steel fascia and polycarbonate plate	Painted, Matte	291051	291052	291053	291054
Antique Brass	201 stainless steel fascia and polycarbonate plate	Electroplated, Brushed	291055	291056	291057	291058
Bronze	201 stainless steel fascia and polycarbonate plate	Electroplated, Brushed	291059	291060	291061	291062



MFL Forge - Mechanisms and Accessories

MFL Forge is versatile, allowing you to customise switches to suit your space. Choose between Heritage or Modern styles, customising any toggle finish with any grid plate to achieve your design vision. For added functionality, select a rotary dimmer with a matching dimmer detail to create a seamless and elegant finish.



MFL Forge - Mechanisms and Accessories



Forge Modern Toggle
SKU 291085



Forge Heritage Toggle
SKU 291091



Dimmer detail only*
SKU 291077



White



Black



Brass



Aged Nickel



Antique Brass



Bronze



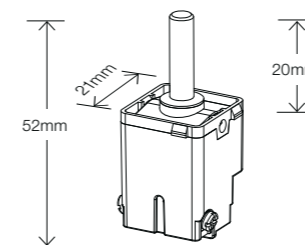
10 YEAR WARRANTY



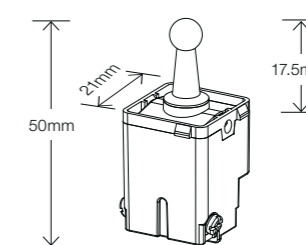
LARGER TERMINALS

Dimmer Detail Compatible Dimmers Lucci Power Rotary Dimmers 290917 290993 290994	Mounting centers N/A	Mounted extension Modern toggle: 23mm Heritage toggle: 20mm Dimmer: 25mm	Terminal screws PH1	Control Type Switch: Toggle Dimmer: Rotary	Terminal capacity Switch: 4 x 1.5mm ²
Stripping length 10mm	Recessed depth 27mm	Cut-out N/A	Warranty 10 years	Approval number SAA250023-EA	Compliance standard AS 3133:2020 AS/NZS 3100:2022

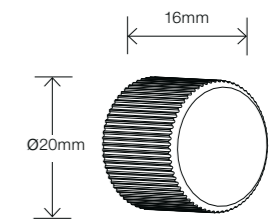
			Modern 1/2 way Toggle Switch	Modern Intermediate Toggle Switch	Heritage 1/2 way Toggle Switch	Heritage Intermediate Toggle Switch	Dimmer Detail
Colour	Material	Finish	SKU	SKU	SKU	SKU	SKU
White	Polycarbonate and brass	Painted, Matte	291085	291044	291091	291069	291077
Black	Polycarbonate and brass	Painted, Matte	291086	291045	291092	291073	291078
Brass	Polycarbonate and brass	Electroplated, Brushed	291087	291046	291093	291074	291079
Aged Nickel	Polycarbonate and brass	Electroplated, Brushed	291088	291047	291094	291072	291081
Antique Brass	Polycarbonate and brass	Electroplated, Brushed	291089	291048	291095	291070	291076
Bronze	Polycarbonate and brass	Electroplated, Brushed	291090	291049	291096	291071	291080



Forge Modern

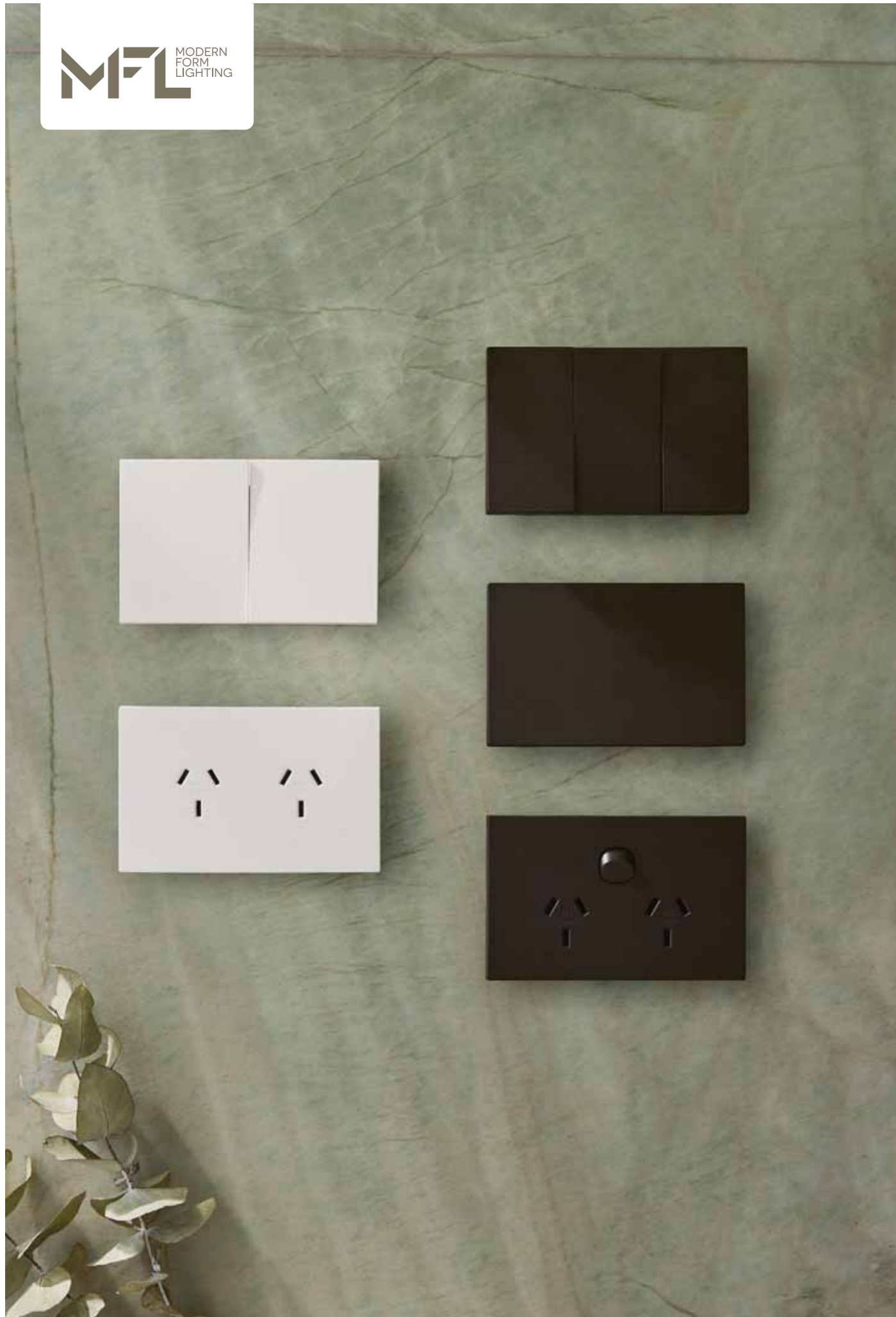


Forge Heritage



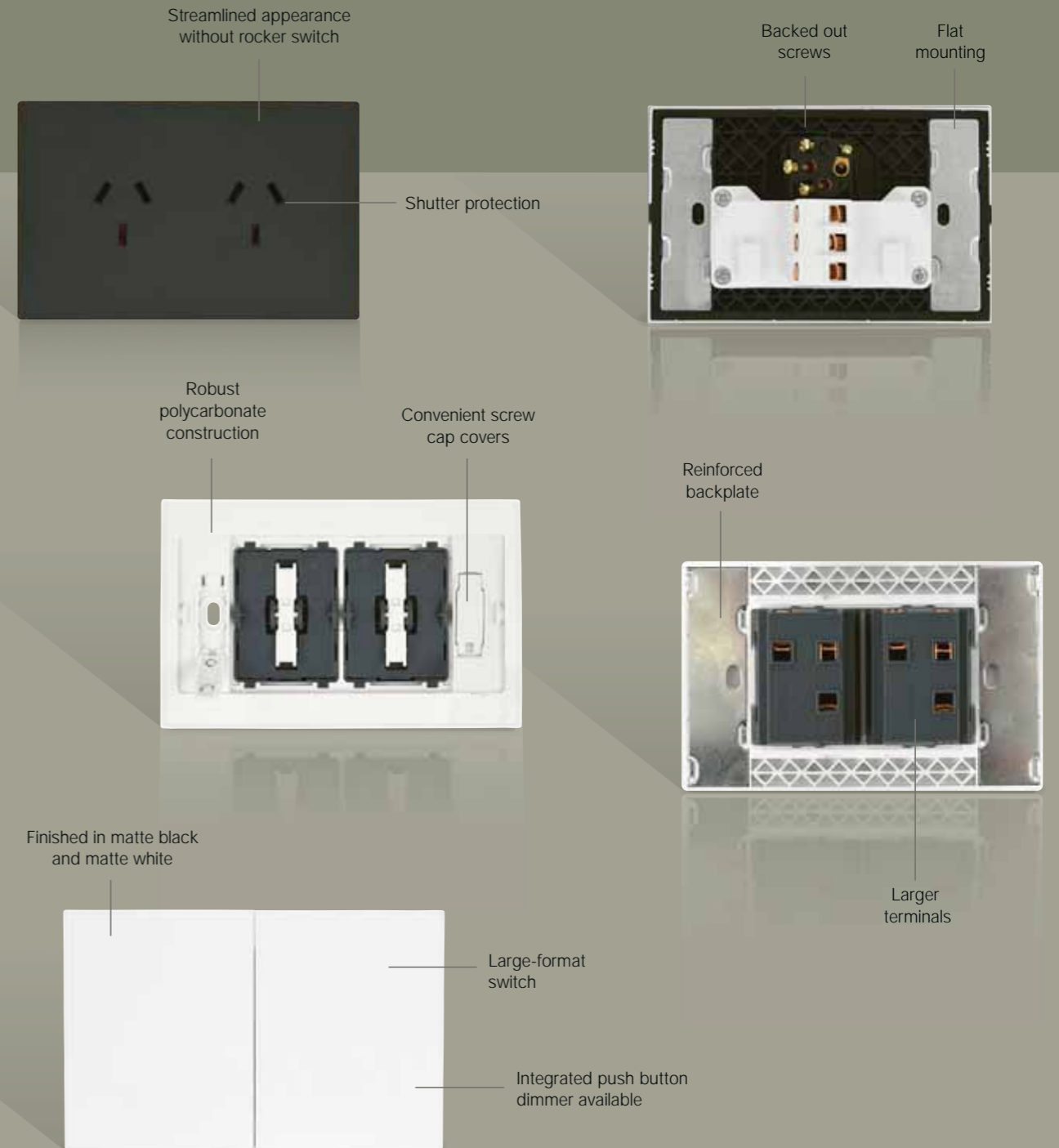
*Dimmer detail only, compatible dimmers sold separately.





MFL Axis

MFL Axis redefines everyday essentials with bold, European-inspired large-format switches, dimmers, and powerpoints that make a confident design statement. Blending minimalist form with cutting-edge design, the range is engineered for modern interiors and finished in matte polycarbonate. Designed to elevate any architectural space, Axis delivers a striking combination of durability, elegance, and contemporary style.

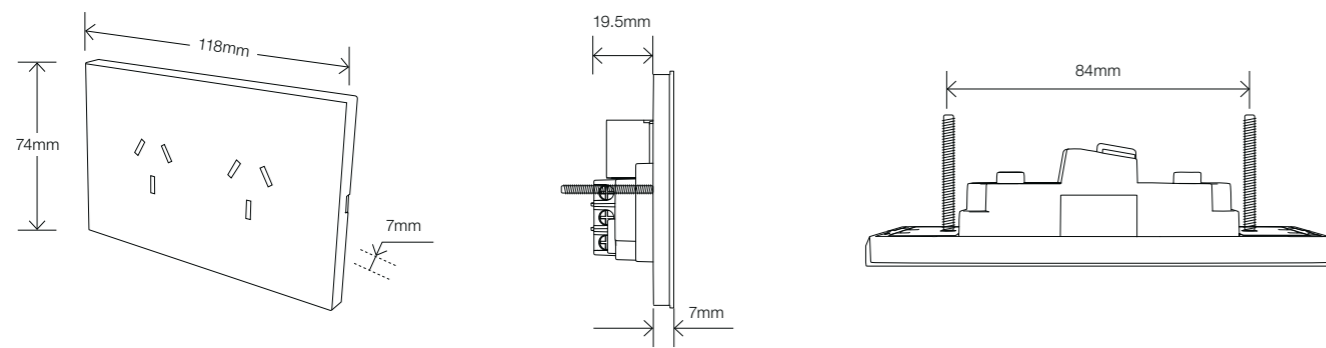


MFL Axis - Powerpoints



Mounting position Horizontal	Mounting centers 84mm	Mounted extension 7mm	Terminal screws PH2	Control type N/A	Terminal capacity 4 x 2.5mm ²
Stripping length 10mm	Recessed depth 20mm	Cut-out 95mm x 54mm	Warranty 10 years	Approval number SAA-251093-EA	Compliance standard AS/NZS 3112:2017 AS/NZS 3100:2022

			Twin Powerpoint	Twin Powerpoint Extra Switch
Colour	Material	Finish	SKU	SKU
White	Polycarbonate	Matte	297212	297214
Black	Polycarbonate	Matte	297213	297215

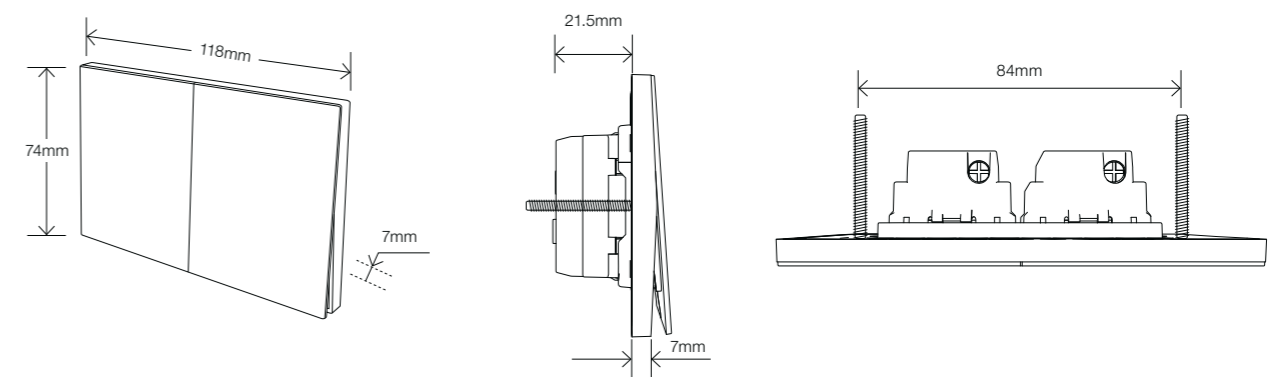


MFL Axis - Switches



Mounting position Horizontal	Mounting centers 84mm	Mounted extension 7mm	Terminal screws PH2	Control type Rocker	Terminal capacity 4 x 1.5mm ²
Stripping length 10mm	Recessed depth 20mm	Cut-out 95mm x 54mm	Warranty 10 years	Approval number SAA-251092-EA	Compliance standard AS 3133:2020 AS/NZS 3100:2022

			1G Switch	2G Switch	3G Switch
Colour	Material	Finish	SKU	SKU	SKU
White	Polycarbonate	Matte	297200	297201	297202
Black	Polycarbonate	Matte	297203	297204	297205

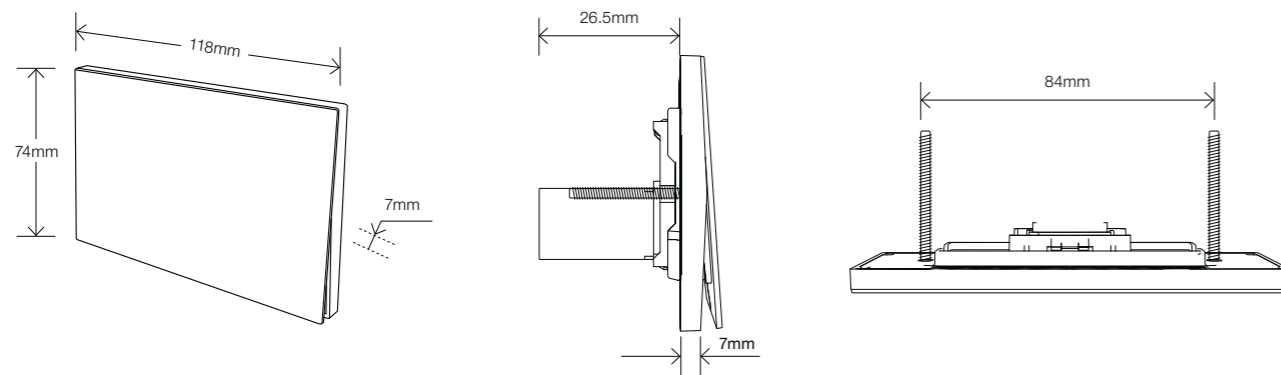


MFL Axis - Dimmer Switches



Mounting position Horizontal	Mounting centers 84mm	Mounted extension 7mm	Terminal screws PH1 dimmer PH2 switch	Control type Rocker	Terminal capacity 4x1.5mm ²
Stripping length 5mm	Recessed depth 45mm	Cut-out 95mm x 54mm	Warranty 10 years	Approval number SAA-251092-EA	Compliance standard AS 3133:2020 AS/NZS 3100:2022

Colour	Material	Finish	1G Dimmer	2G Dimmer	1G Dimmer + 1G Switch
			SKU	SKU	SKU
White	Polycarbonate	Matte	297206	297207	297208
Black	Polycarbonate	Matte	297209	297210	297211

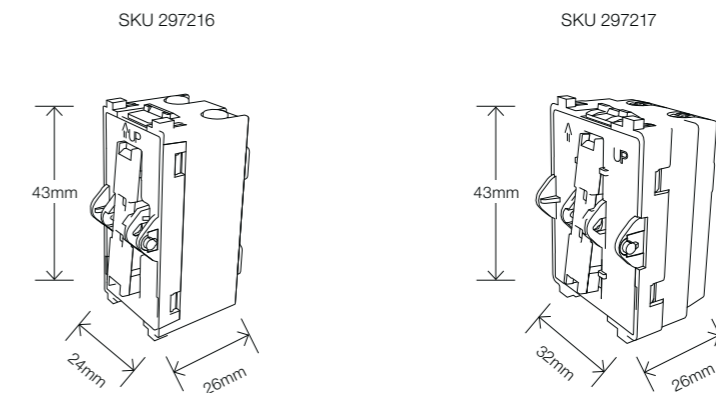


MFL Axis - Intermediate Switch



Mounting position Horizontal	Mounting centers N/A	Mounted finish -	Terminal screws PH2	Control type Rocker	Terminal capacity 2 by 2 x 1.5mm ²
Stripping length 10mm	Recessed depth 25mm	Cut-out N/A	Warranty 10 years	Approval number SAA-251092-EA	Compliance standard AS 3133:2020 AS/NZS 3100:2022

Colour	Material	Finish	Compatible with 3G switch plates	Compatible with 1G & 2G switch plates
			SKU	SKU
NA	Polycarbonate	NA	297216	297217



Buster + Punch

The Buster + Punch range blends cutting-edge design with premium functionality, drawing inspiration from London's street art and subculture scene. Available in polycarbonate matte black and white, as well as metal finishes in white, black, brass, smoked bronze and steel, the range offers stylish toggle switches and dimmers that can be customised with brass, stainless steel or smoked bronze detail kits. Each solid metal detail kit features Buster + Punch's signature diamond-cut cross-knurl pattern and distinctive screw caps for a tactile, industrial look. Easy to install and designed to pair seamlessly with matching powerpoints, this range brings bold, statement-making style to any space.

Signature cross-knurl detail for tactile feel



Toggles and screw caps can be upgraded to other finishes including brass, stainless steel, and smoked bronze



4mm flat plate



Durable polycarbonate structure



Details kits can be changed out into various colours



Signature coin screws



Discreet raised logo design



Captive screws

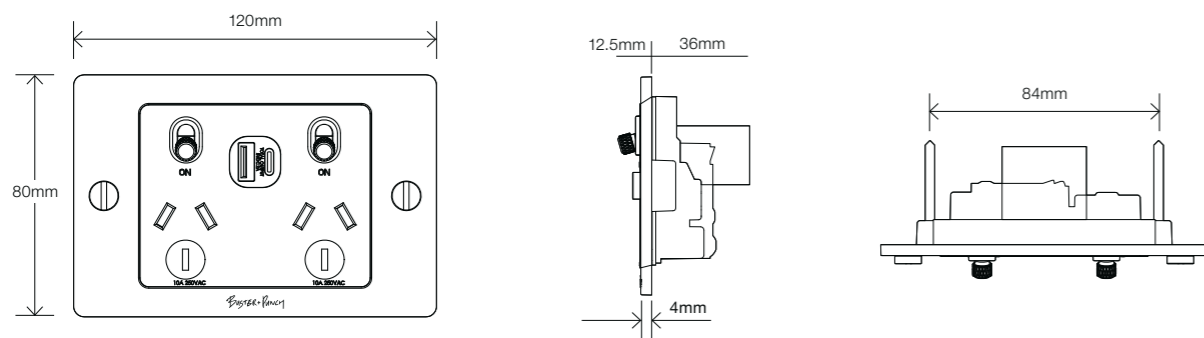


Buster + Punch Electricity Polycarbonate - Twin Powerpoints



Mounting position Horizontal	Mounting centers 84mm	Mounted extension 6mm	Terminal screws PH2	Control type Toggle	Terminal capacity 4 x 2.5mm ²
Stripping length 16mm	Recessed depth Standard: 23mm USB A+C: 40mm	Cut-out 95mm x 54mm	Warranty 2 years	Approval number SAA-180906-EA	Compliance standard AS/NZS 3112 AS/NZS 3100

			Twin powerpoint	Twin powerpoint USB A+C
Colour	Material	Finish	SKU	SKU
White	Aluminium toggle, polycarbonate plate	Matte	299102	299104
Black	Aluminium toggle, polycarbonate plate	Matte	299103	299105

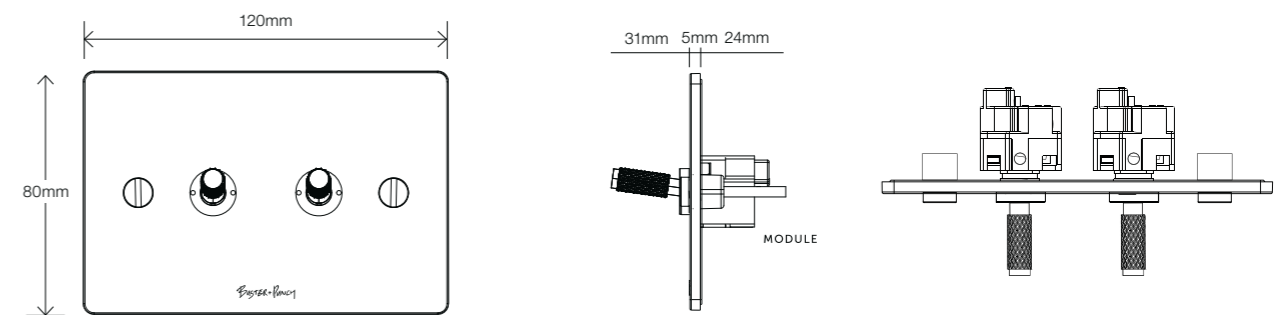


Buster + Punch Electricity Polycarbonat - Switches



Mounting position Horizontal	Mounting centers 84mm	Mounted extension 5mm	Terminal screws SL3	Control type Toggle	Terminal capacity 2 x 1.5mm ²
Stripping length 8mm	Recessed depth 25mm	Cut-out 95mm x 54mm	Warranty 2 years	Approval number SAA-230472-EA	Compliance standard AS 3133 AS/NZS 3100

			1G Switch	2G Switch	3G Switch	4G Switch
Colour	Material	Finish	SKU	SKU	SKU	SKU
White	Aluminium toggle, polycarbonate plate	Matte	299094	299095	299096	299097
Black	Aluminium toggle, polycarbonate plate	Matte	299090	299091	299092	299093



BUSTER + PUNCH



BUSTER + PUNCH

Buster + Punch Electricity Polycarbonate - Dimmers



White

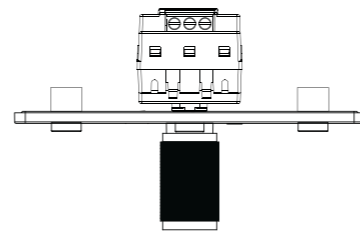
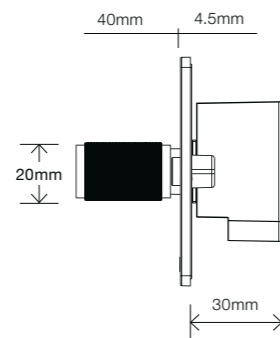
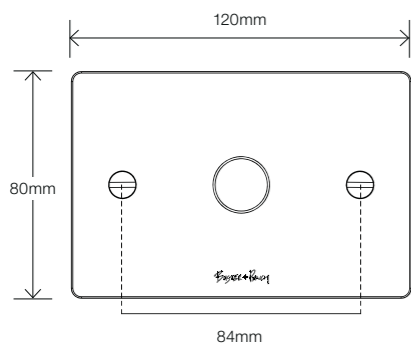


Black



Mounting position Horizontal	Mounting centers 84mm	Mounted extension 5mm	Terminal screws N/A	Control type Rotary	Terminal capacity N/A
Stripping length N/A	Recessed depth 22mm	Cut-out 95mm x 54mm	Warranty 2 years	Approval number SAA-202180-EA	Compliance standard AS/NZS 60669

			1G Dimmer	2G Dimmer
Colour	Material	Finish	SKU	SKU
White	Aluminium detail, polycarbonate plate	Matte	299100	299101
Black	Aluminium detail, polycarbonate plate	Matte	299098	299099



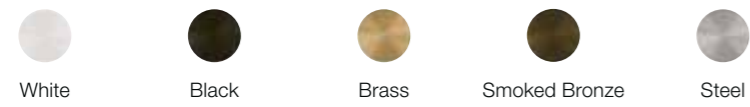
BUSTER + PUNCH



BUSTER + PUNCH

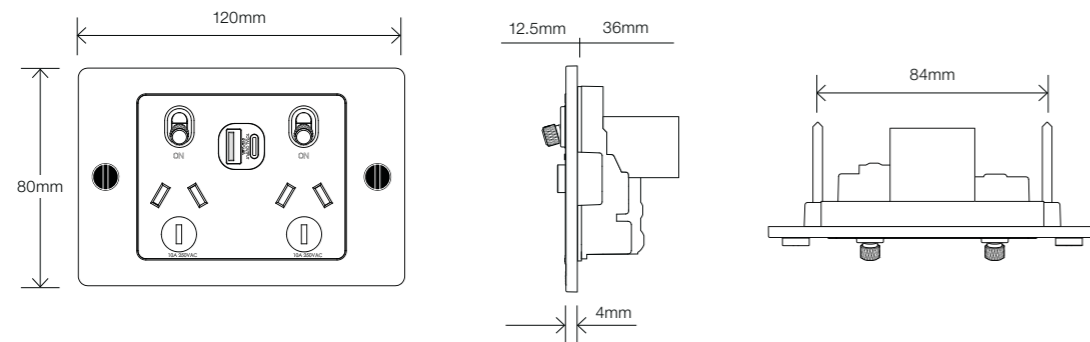


Buster + Punch Electricity Metal - Twin Powerpoints

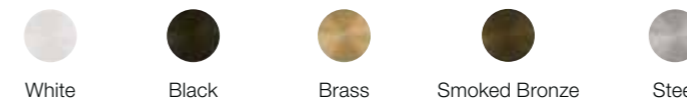


Mounting position Horizontal	Mounting centers 84mm	Mounted extension 4.5mm	Terminal screws PH2	Control type Toggle	Terminal capacity 4 x 2.5mm ²
Stripping length 16mm	Recessed depth Standard: 23mm USB A+C: 40mm	Cut-out 95mm x 54mm	Warranty 2 years	Approval number SAA-180906-EA	Compliance standard AS/NZS 3112 AS/NZS 3100

			Twin Powerpoint	Twin Powerpoint USB A+C
Colour	Material	Finish	SKU	SKU
White	Stainless steel	Matte Paint	299690	299695
Black	Stainless steel	Matte Paint	299691	299696
Brass	Brass metal	Clear laquer	299692	299697
Smoked Bronze	Stainless steel	Electroplated	299693	299698
Steel	Stainless steel	Electroplated	299694	299699

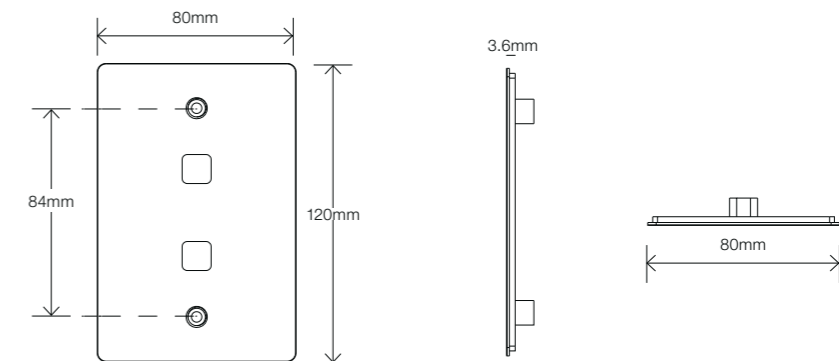


Buster + Punch Electricity Metal - Grid plates



Mounting position Horizontal or Vertical	Mounting centers 84mm	Mounted extension 3.6mm	Terminal screws Flat head	Control type Toggle	Terminal capacity 2 x 1.5mm ²
Stripping length 10mm	Recessed depth 25mm	Cut-out 95mm x 54mm	Warranty 2 years	Approval number SAA-231729	Compliance standard AS 3133 AS/NZS 3100

			1G Grid	2G Grid	3G Grid	4G Grid
Colour	Material	Finish	SKU	SKU	SKU	SKU
White	Stainless steel	Matte Paint	299670	299675	299680	299685
Black	Stainless steel	Matte Paint	299671	299676	299681	299686
Brass	Brass metal	Clear laquer	299672	299677	299682	299687
Smoked Bronze	Stainless steel	Electroplated	299673	299678	299683	299688
Steel	Stainless steel	Electroplated	299674	299679	299684	299689



BUSTER + PUNCH



BUSTER + PUNCH

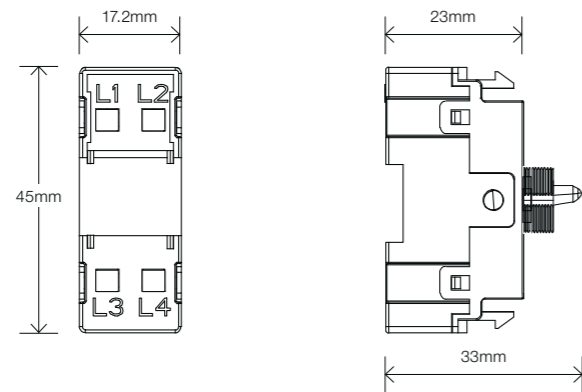
Buster + Punch - Mechanisms



Toggle 2-way mech SKU 299709 Intermediate mech switch SKU 299112 Retractive toggle mech SKU 299710 Dimmer mech 299711



Product	SKU	Rating	Warranty	Approval number	Compliance standard
Intermediate mech switch	299112	10AX	2 years	SAA-221305-EA	AS 3133:2020 AS/NZS 3100:2022
Toggle 2-way mech	299709	10AX	2 years	SAA-240105	AS 3133:2020 AS/NZS 3100:2022
Retractive toggle mech	299710	10A	2 years	SAA-221305-EA	AS 3133:2020 AS/NZS 3100:2022
Dimmer mech	299711	100W LED	2 years	SAA-231882	AS 60662 AS/NZS 60669.1:2020



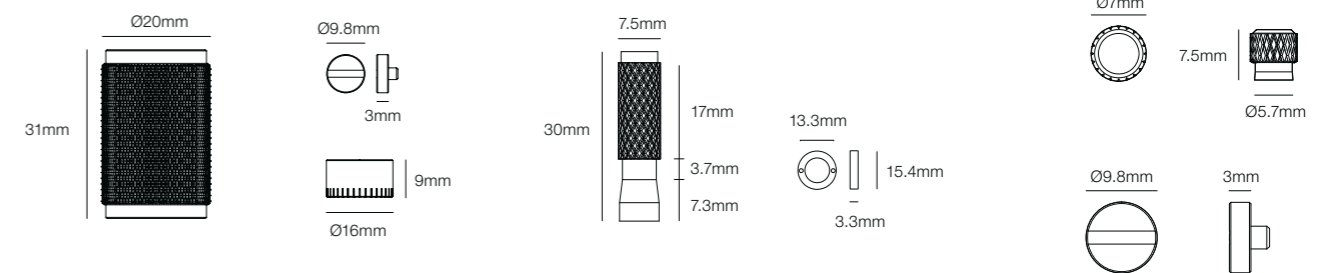
Buster + Punch - Details Kits



White Black Brass Smoked Bronze Steel



Colour	Material	Finish	Toggle detail	Dimmer detail	Powerpoint detail
			SKU	SKU	SKU
White	Aluminium	EPD	299700	299703	299706
Black	Aluminium	EPD	299704	299701	299707
Brass	Brass	Clear lacquer	299106	299108	299110
Smoked Bronze	Brass	Chemical aging + clear lacquer	299705	299702	299708
Steel	Stainless steel 304	Chemical polish	299107	299109	299111



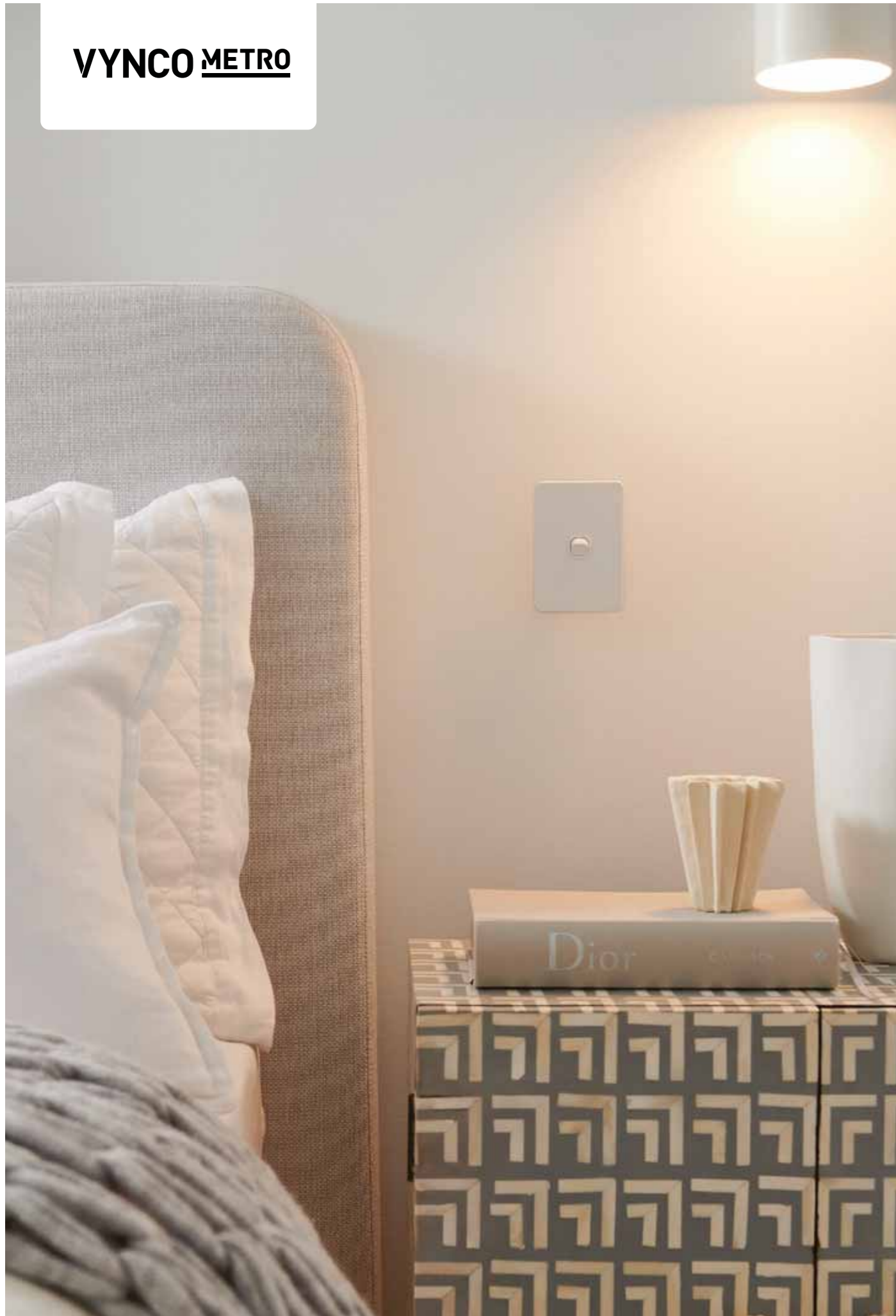
BUSTER + PUNCH



BUSTER + PUNCH



VYNCO METRO



VYNCO METRO

The Vynco Metro range is designed for modern Australian interiors, featuring a slim profile with smooth rounded corners for a refined look. Available in matte black or matte white with subtle gloss accents, the range delivers a cohesive finish across switches, powerpoints and grid plates. Combining style with practicality, Vynco Metro offers versatile configurations to suit a variety of spaces while maintaining a contemporary aesthetic.



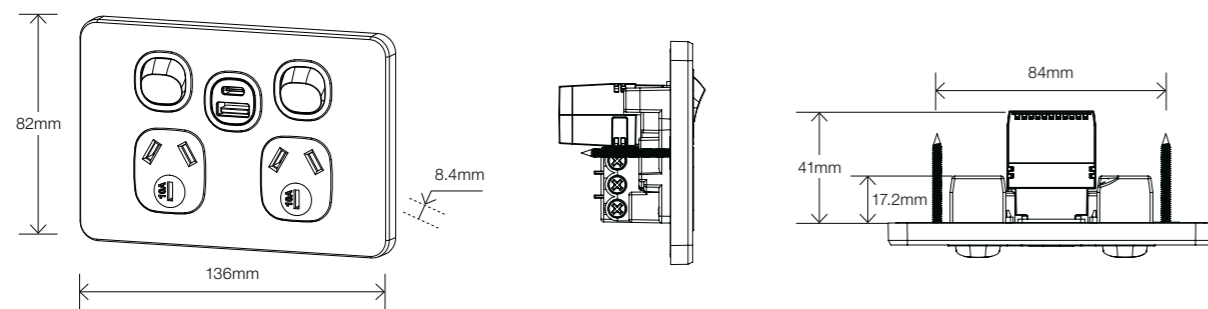
VYNCO METRO

Vynco Metro - Powerpoints



Mounting position Horizontal	Mounting centers 84mm	Mounted extension 8.4mm	Terminal screws PH2	Control type Rocker	Terminal capacity 4 x 2.5mm ²
Stripping length 16mm	Recessed depth 30mm	Cut-out 95mm x 54mm	Warranty 5 years	Approval number SAA-192025-EA	Compliance standard AS/NZS 61558

			Twin Powerpoint 10A	Twin Powerpoint 10A extra switch	Twin Powerpoint 10A USB A+C
Colour	Material	Finish	SKU	SKU	SKU
White	Polycarbonate	Matte	299405	299406	299407
Black	Polycarbonate	Matte	299590	299591	299592

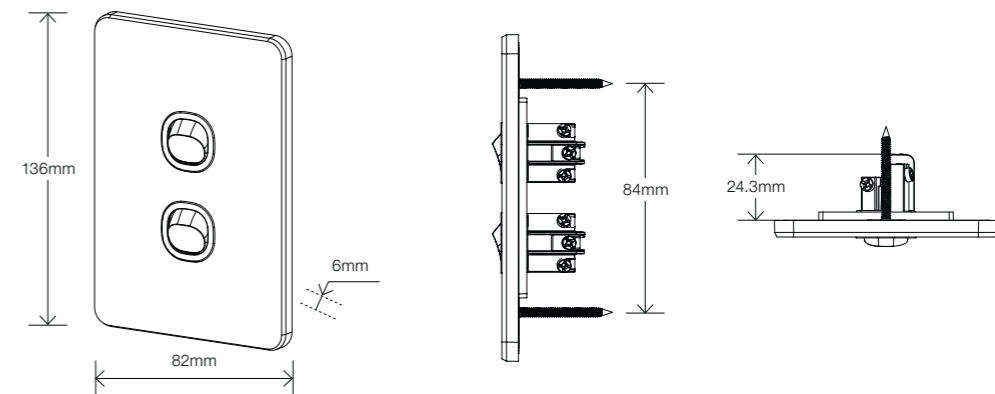


Vynco Metro - Switches



Mounting position Horizontal or Vertical	Mounting centers 84mm	Mounted extension 6mm	Terminal screws PH2	Control type Rocker	Terminal capacity 4 x 1.5mm ²
Stripping length 9.5mm	Recessed depth 22mm	Cut-out 95mm x 54mm	Warranty 5 years	Approval number SAA-162530-EA	Compliance standard AS 3133 AS/NZS 3100

			1G switch	2G switch	3G switch
Colour	Material	Finish	SKU	SKU	SKU
White	Polycarbonate	Matte	299396	299397	299398
Black	Polycarbonate	Matte	299581	299582	299583



VYNCO METRO



VYNCO METRO

Vynco Metro - Grid Plates



White

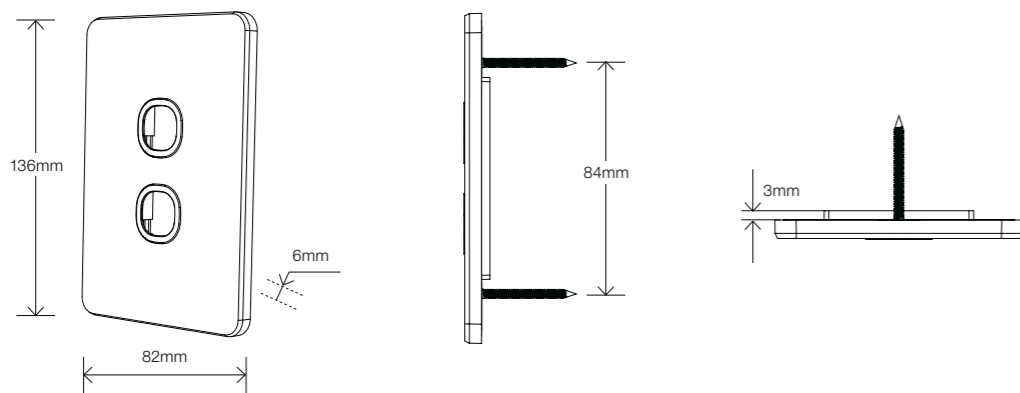


Black



Mounting position Horizontal or vertical	Mounting centers 84mm	Mounted extension 6mm	Terminal screws N/A	Control type Rocker	Terminal capacity N/A
Stripping length N/A	Recessed depth N/A	Cut-out 95mm x 54mm	Warranty 5 years	Approval number SAA-162530-EA	Compliance standard AS 3133 AS/NZS 3100

			1G Grid Plate	2G Grid Plate	3G Grid Plate	4G Grid Plate	5G Grid Plate	6G Grid Plate	Blank Plate
Colour	Material	Finish	SKU	SKU	SKU	SKU	SKU	SKU	SKU
White	Polycarbonate	Matte	299399	299400	299401	299402	299403	299404	299395
Black	Polycarbonate	Matte	299584	299585	299586	299587	299588	299589	299580



VYNCO METRO

VYNCO METRO

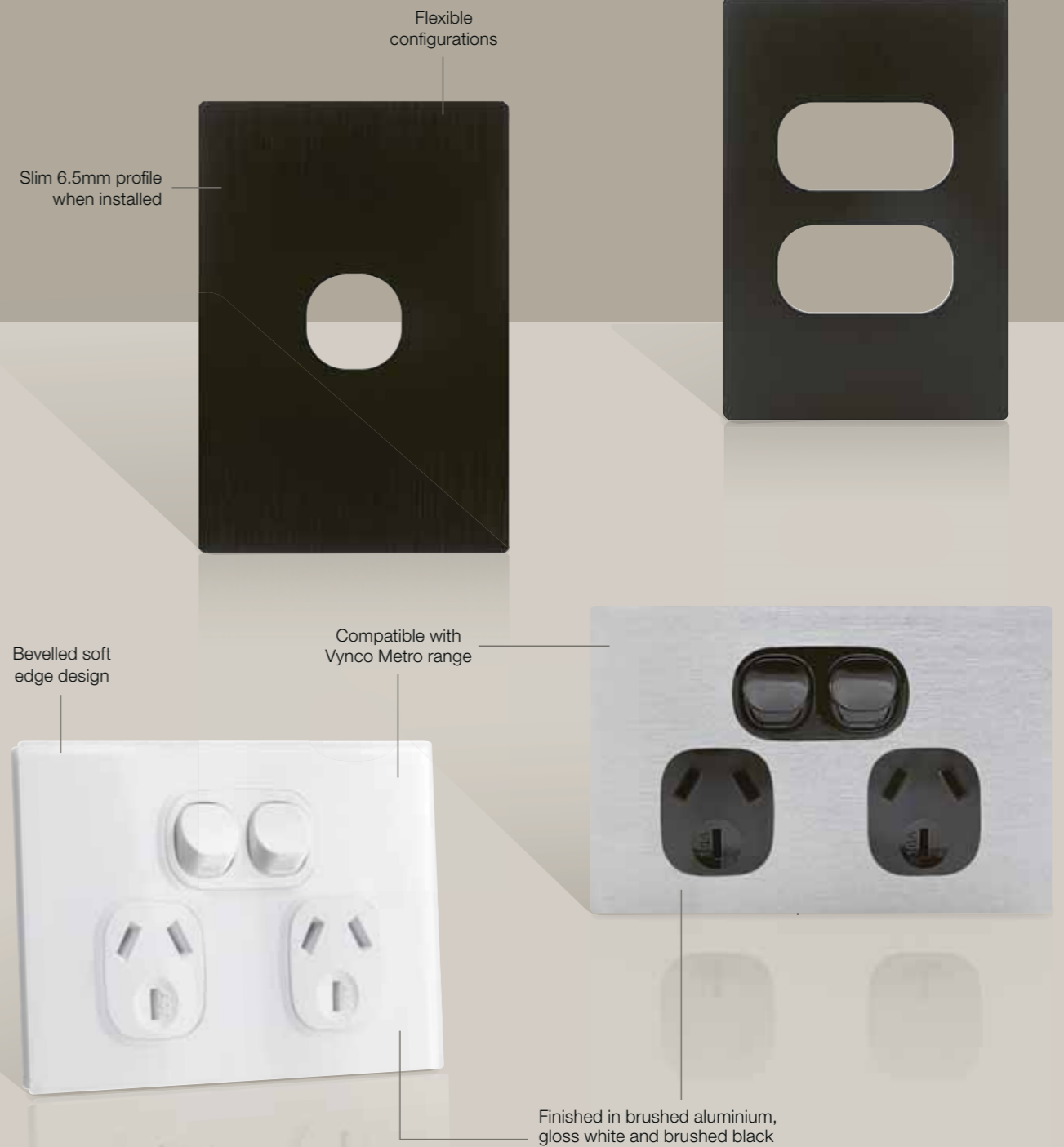


VYNCO URBAN



VYNCO URBAN

The Vynco Urban fascia range offers a premium finish for your Vynco Metro switches and powerpoints. Choose from a white gloss, brushed black, or brushed aluminium finish to bring a refined edge to everyday fittings. Vynco Urban facias feature standard aperture and pair effortlessly with Vynco mechanisms to achieve a clean, architectural look that lasts.



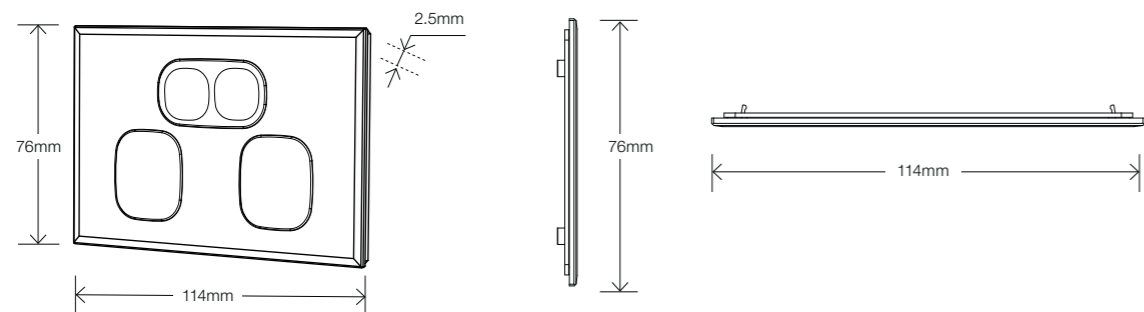
VYNCO URBAN

Vynco Urban - Powerpoint Fascia



Mounting position Horizontal	Mounting centers 84mm	Mounted extension 6mm	Terminal screws N/A	Control type Rocker or N/A - TBC	Terminal capacity N/A
Stripping length N/A	Recessed depth N/A	Cut-out 95mm x 54mm	Warranty 5 years	Approval number SAA-192025-EA	Compliance standard AS/NZS 61558

			Twin powerpoint fascia	Twin powerpoint fascia extra switch
Colour	Material	Finish	SKU	SKU
White	PVC	Clear with white back	299610	299611
Black	Aluminium	Brushed finish	299623	299624
Aluminium	Aluminium	Brushed finish	299386	299387

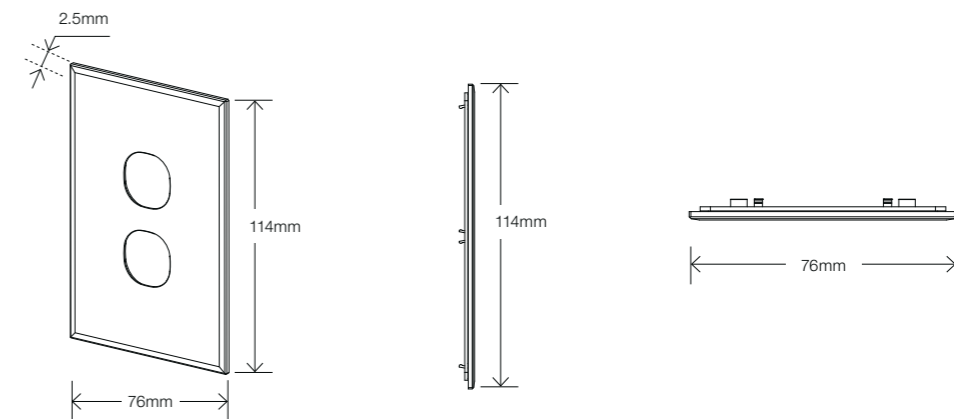


Vynco Urban - Switch Fascia



Mounting position Horizontal or Vertical	Mounting centers 84mm	Mounted extension 6.5mm	Terminal screws N/A	Control type N/A	Terminal capacity N/A
Stripping length N/A	Recessed depth N/A	Cut-out 95mm x 54mm	Warranty 5 years	Approval number SAA-162530-EA	Compliance standard AS 3133 AS/NZS 3100

			1G Fascia	2G Fascia	3G Fascia	4G Fascia	5/6G Fascia	Blank Fascia
Colour	Material	Finish	SKU	SKU	SKU	SKU	SKU	SKU
White	PVC	Clear with white back	299604	299605	299606	299607	299608	299600
Black	Aluminium	Brushed finish	299617	299618	299619	299620	299621	299613
Aluminium	Aluminium	Brushed finish	299388	299389	299390	299391	299393	299394



VYNCO URBAN



VYNCO URBAN

Vynco - Mechanisms

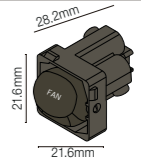

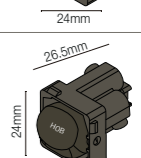
Product	SKU	Colour	Product	Dimensions
Vynco 16A permanent connection mechanism	299412	White		
Vynco 2A press mechanism	299419	Black		
Vynco 2A press mechanism	299420	White		
Vynco passive infrared sensor mechanism	299435	White		
Vynco passive infrared sensor mechanism	299436	Black		
Vynco 16A push button mechanism	299437	White		
Vynco 16A push button mechanism	299438	Black		
Vynco 10A intermediate switch mechanism	299410	White		
Vynco 10A intermediate switch mechanism	299411	Black		
Vynco 16A switch mechanism	299413	Black		



VYNCO



Vynco - Mechanisms

Name and description	SKU	Colour	Product	Dimensions
Vynco 16A fan switch mechanism	299414	Black		
Vynco 16A heat switch mechanism	299415	Black		
Vynco 16A fan switch mechanism	299416	White		
Vynco 16A heat switch mechanism	299417	White		
Vynco 16A switch mechanism	299418	White		
Vynco 32A switch mechanism	299421	Black		
Vynco 32A hob switch mechanism	299422	Black		
Vynco 32A hob switch mechanism	299423	White		
Vynco 32A oven switch mechanism	299424	Black		
Vynco 32A oven switch mechanism	299425	White		



VYNCO



Vynco - Mechanisms

Product	SKU	Colour	Product	Dimensions
Vynco 32A range switch mechanism	299426	Black		
Vynco 32A range switch mechanism	299427	White		
Vynco 32A switch mechanism	299428	White		
Vynco 75 OHM TV mechanism	299429	White		
Vynco 75 OHM TV mechanism	299430	Black		
Vynco 75 OHM coaxial tv mechanism	299431	Black		
Vynco F type mecahnism	299432	Black		
Vynco 75 OHM coaxial TV mechanism	299433	White		
Vynco F type mecahnism	299434	White		










VYNCO



VYNCO



Vynco Metro X - Outdoor

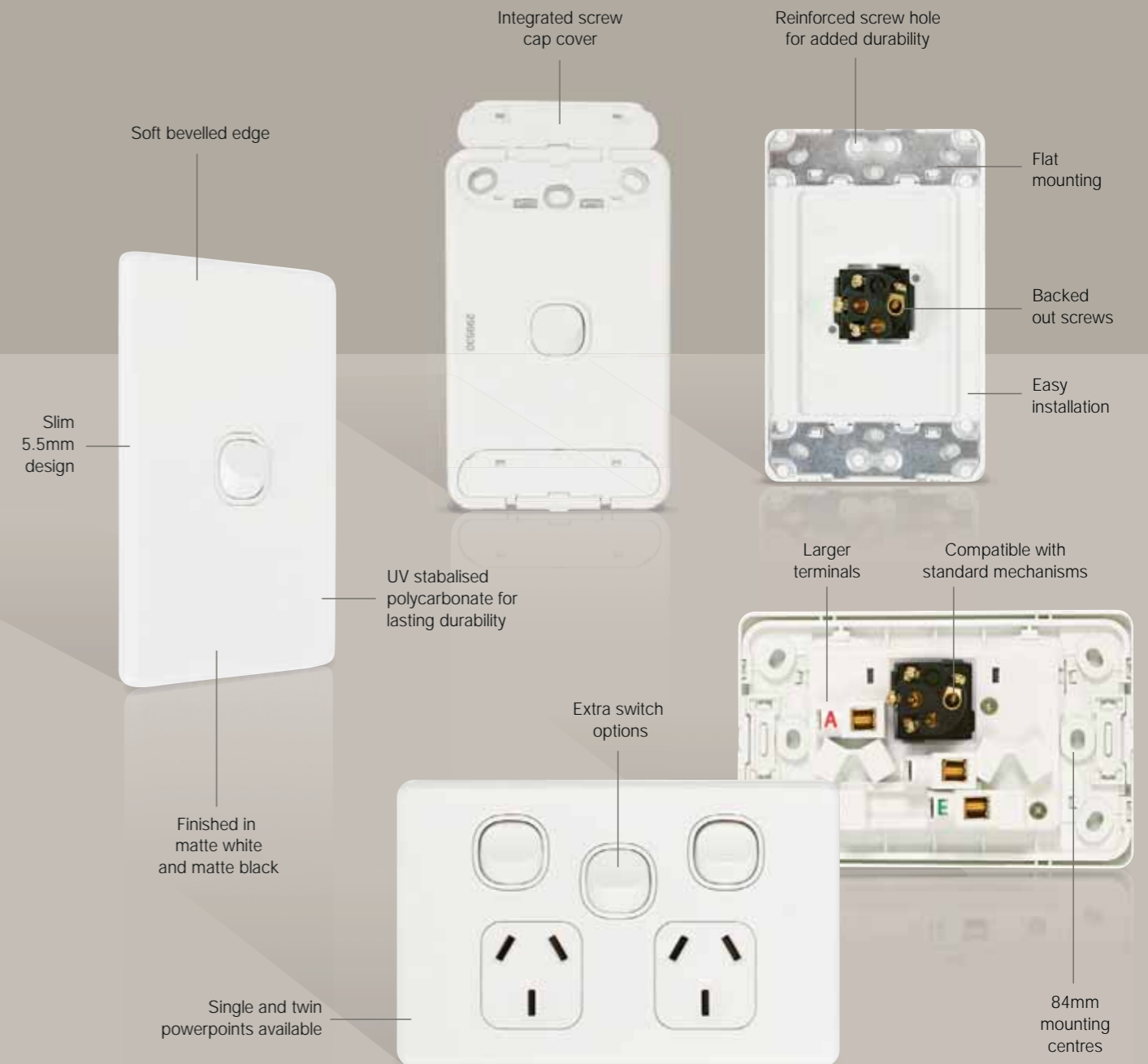
Product	SKU	IP	Conduit entry points	Number of conduit entry points	Conduit entry size	Rear entry	Pole	Accessories included	Warranty
 Vynco Metro X 1G switch in white	299720	56	1 x back 2 x side 1 x top	4	25mm	Yes	Single	Screws	5
 Vynco Metro X 1G switch in black	299721	56	1 x back 2 x side 1 x top	4	25mm	Yes	Single	Screws	5
 Vynco Metro X 10A powerpoint in white	299722	53	1 x back 2 x side 1 x top	4	25mm	Yes	Single	Screws	5
 Vynco Metro X 10A powerpoint in black	299723	53	1 x back 2 x side 1 x top	4	25mm	Yes	Single	Screws	5
 Vynco Metro X 10A twin powerpoint in white	299724	53	1 x back 2 x side 1 x top	4	25mm	Yes	Single	Screws	5
 Vynco Metro X 10A twin powerpoint in black	299725	53	1 x back 2 x side 1 x top	4	25mm	Yes	Single	Screws	5
 Vynco Metro X 15A twin powerpoint in white	299726	53	1 x back 2 x side 1 x top	4	25mm	Yes	Single	Screws	5





Lucci Power Ion

The Lucci Power Ion range delivers clean, modern styling with the performance to match. With a slim profile, matte finish, and durable construction, Ion switches and powerpoints are built for everyday use. Designed for quick fit-off and easy compatibility with Lucci Power mechanisms and dimmers, it's the clean, durable solution you can back every time - balancing sharp aesthetics with long-term reliability.

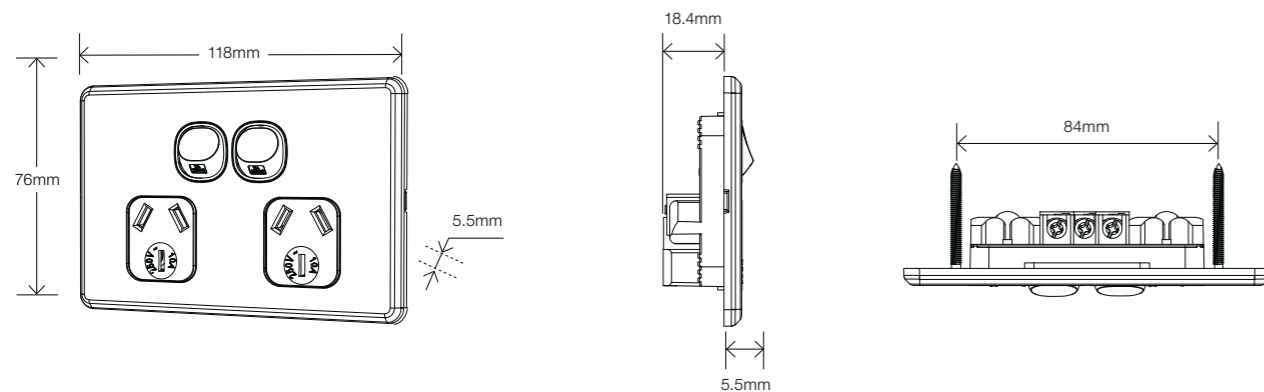


Lucci Power Ion - Powerpoints

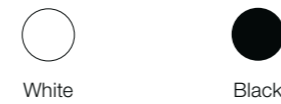


Mounting position Horizontal	Mounting centers 84mm	Mounted extension 5.5mm	Terminal screws PH2	Control type Rocker	Terminal capacity 4 x 2.5mm ²
Stripping length 16mm	Recessed depth 20mm	Cut-out 95mm x 54mm	Warranty 25 years	Approval number SAA-241486-EA	Compliance standard AS/NZS 3112 AS/NZS 3100

Colour	Material	Finish	Single Powerpoint SKU	Twin Powerpoint SKU	Twin Powerpoint extra switch SKU
White	Polycarbonate	Matte	299510	299511	299512
Black	Polycarbonate	Matte	299513	299514	299515

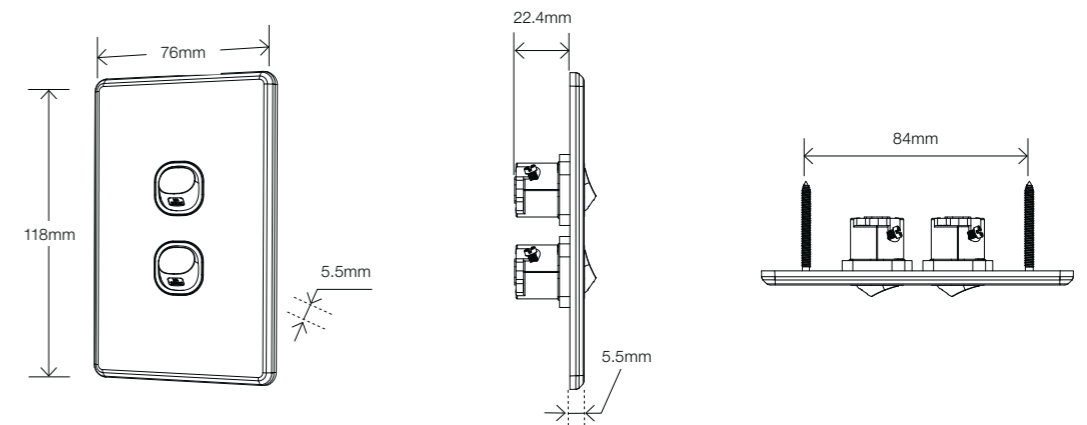


Lucci Power Ion - Switches



Mounting position Horizontal or vertical	Mounting centers 84mm	Mounted extension 5.5mm	Terminal screws PH2	Control type Rocker	Terminal capacity 4 X 1.5mm ²
Stripping length 10mm	Recessed depth 20mm	Cut-out 95mm x 54mm	Warranty 25 years	Approval number SAA-241500-EA	Compliance standard AS 3133 AS/NZS 3100

Colour	Material	Finish	1G Switch SKU	2G Switch SKU	3G Switch SKU
White	Polycarbonate	Matte	299530	299531	299532
Black	Polycarbonate	Matte	299533	299534	299535



Lucci Power Ion - Grid Plates



White

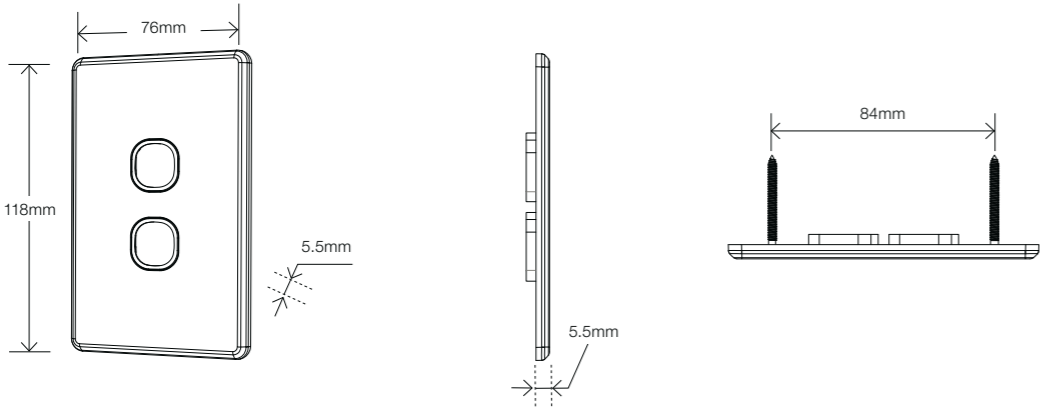


Black



Mounting position Horizontal or vertical	Mounting centers 84mm	Mounted extension 5.5mm	Terminal screws PH2	Control type N/A	Terminal capacity N/A
Stripping length N/A	Recessed depth N/A	Cut-out 95mm x 54mm	Warranty 25 years	Approval number SAA-241500-EA	Compliance standard AS 3133 AS/ NZS 3100

			1G Grid plate	2G Grid plate	3G Grid plate	4G Grid plate	5G Grid plate	6G Grid plate	Blank plate
Colour	Material	Finish	SKU	SKU	SKU	SKU	SKU	SKU	SKU
White	Polycarbonate	Matte	299516	299517	299518	299519	299520	299521	299522
Black	Polycarbonate	Matte	299523	299524	299525	299526	299527	299528	299529





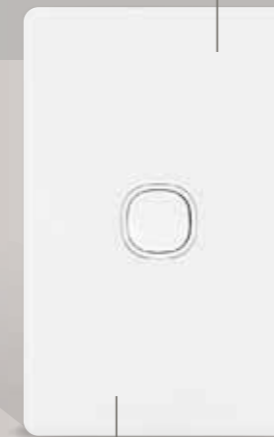
Lucci Power Gravity

Lucci Power Gravity is a tailored solution designed for everyday use. A complete range of switches and powerpoints with thoughtful engineering, it's a reliable option. Lucci Power Gravity delivers durable, UV stabilised polycarbonate, installer-friendly switches and powerpoints with a bold, modern edge.

Finished in
matte black,
matte white
and gloss white

UV stabilised
polycarbonate for
lasted durability

Flat mounting
screw holes



Compatible
with standard
mechanisms

Backed out screws

1G - 6G switch
range available



Single and twin
powerpoints available

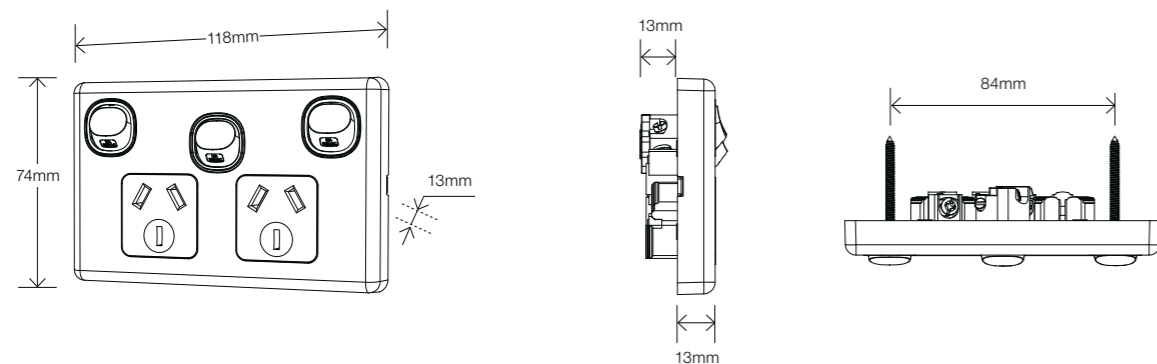
Architrave
plates available

Lucci Power Gravity - Powerpoints



Mounting position Horizontal	Mounting centers 84mm	Mounted extension 13mm	Terminal screws PH2	Control type Rocker	Terminal capacity 4 x 2.5mm ²
Stripping length 12mm	Recessed depth 12mm	Cut-out 95mm x 54mm	Warranty 25 years	Approval number SAA-181479-EA SKUs 299252 & 299253; SAA-182881-EA	Compliance standard AS/NZS 3112 AS/NZS 3100

			Single powerpoint 10A	Single powerpoint 15A	Twin powerpoint 10A	Twin powerpoint 10A Extra switch	Twin powerpoint 10A 2 x USB
Colour	Material	Finish	SKU	SKU	SKU	SKU	SKU
White	Polycarbonate	Matte	299244	299246	299248	299250	299252
Black	Polycarbonate	Matte	299245	299247	299249	299251	299253
White	Polycarbonate	Gloss	-	-	299748	299749	299750

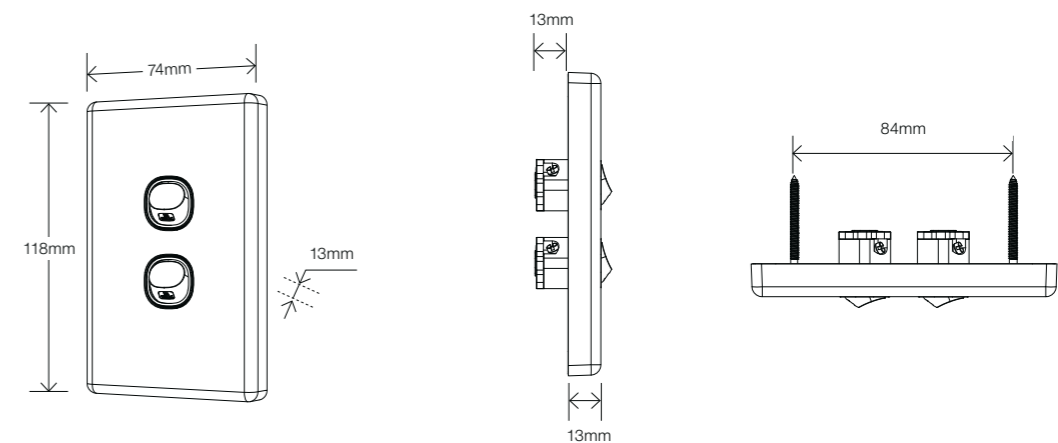


Lucci Power Gravity - Switches



Mounting position Horizontal or vertical	Mounting centers 84mm	Mounted extension 13mm	Terminal screws PH2	Control type Rocker	Terminal capacity 4 X 1.5mm ²
Stripping length 10mm	Recessed depth 15mm	Cut-out 95mm x 54mm	Warranty 25 years	Approval number SAA-181480-EA	Compliance standard AS 3133 AS/ NZS 3100

			1G Switch	2G Switch	3G Switch	4G Switch	5G Switch	6G Switch	Blank Plate
Colour	Material	Finish	SKU	SKU	SKU	SKU	SKU	SKU	SKU
White	Polycarbonate	Matte	299219	299220	299221	299222	299223	299224	299218
Black	Polycarbonate	Matte	299232	299233	299234	299235	299236	299237	299231
White	Polycarbonate	Gloss	299736	299737	299738	299739	299740	299741	299735



Lucci Power Gravity - Grid Plates



White

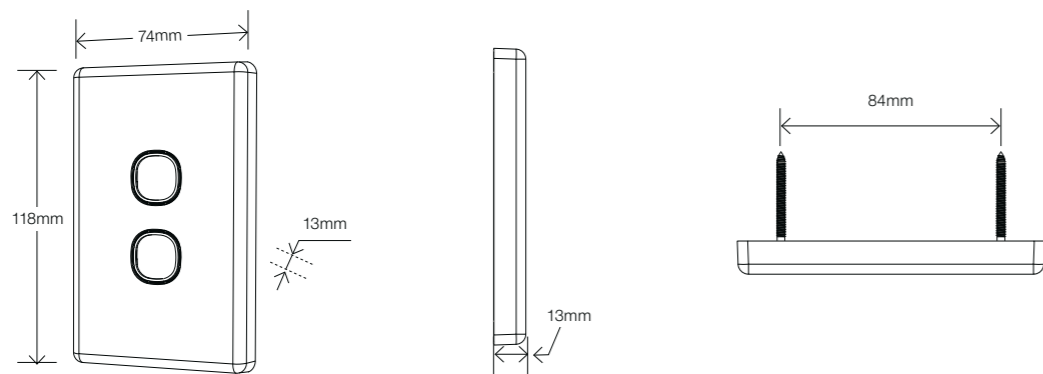


Black



Mounting position Horizontal or vertical	Mounting centers 84mm	Mounted extension 13mm	Terminal screws N/A	Control type N/A	Terminal capacity N/A
Stripping length N/A	Recessed depth N/A	Cut-out 95mm x 54mm	Warranty 25 years	Approval number SAA-181480-EA	Compliance standard AS 3133 AS/ NZS 3100

			1G Plate	2G Plate	3G Plate	4G Plate	5G Plate	6G Plate
Colour	Material	Finish	SKU	SKU	SKU	SKU	SKU	SKU
White	Polycarbonate	Matte	299225	299226	299227	299228	299229	299230
Black	Polycarbonate	Matte	299238	299239	299240	299241	299242	299243
White	Polycarbonate	Gloss	299742	299743	299744	299745	299746	299747



Lucci Power Gravity - Architrave Grid Plates



White

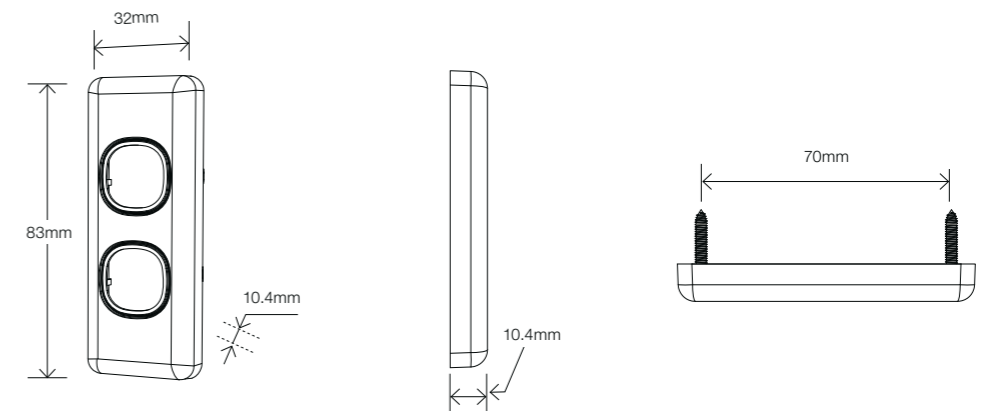


Black



Mounting position Horizontal or vertical	Mounting centers 70mm	Mounted extension 10.4mm	Terminal screws N/A	Control type N/A	Terminal capacity N/A
Stripping length N/A	Recessed depth N/A	Cut-out 68mm x 28mm	Warranty 25 years	Approval number SAA-181480-EA	Compliance standard AS 3133 AS/ NZS 3100

			1G Plate	2G Plate
Colour	Material	Finish	SKU	SKU
White	Polycarbonate	Matte	290008	290010
Black	Polycarbonate	Matte	290009	290011
White	Polycarbonate	Gloss	299730	299731




Lucci
Power















Lucci
Power

Lucci Power - Dimmer Mechanisms











Product	SKU	Approval number	Compliance standards	Compatibility	2-Way or 1-Way compatibility	Fixing mode	Dimmer control	Surface finish	Rated operational voltage	Connection terminals	Embedding depth	Height	Width	Depth	Warranty
 Lucci Power Rotary dimmer in white and black	290917	SAA231898-EA	AS 606692.2.1:2020 AS/NZS 60669.1:2020	MFL LED Dimmable, Lucci Power LED Dimmable, LEDlux Dimmable, Made by Mayfair LED Dimmable, GE LED Dimmable, Lucci LED Dimmable	2-way compatibility	Clip in	Rotary	Matte white and matte black	220-240V -50Hz LED: 3W - 100W Halogen/Incandescent: 3-200W	No terminal only wire	16mm	53mm	23mm	23mm	5 Years
 Lucci Power Rotary dimmer (on/off) no plate in white	290993	SAA220886	AS 606692.2.1:2020 AS/NZS 60669.1:2020	MFL LED Dimmable, Lucci Power LED Dimmable, LEDlux Dimmable, Made by Mayfair LED Dimmable, GE LED Dimmable, Lucci LED Dimmable	1-way compatibility only	Clip in	Rotary	Matte white and gloss white	220-240V- 50Hz 1.25A LED :3-150W; Halogen:3-300W; ELV Converter/Transformer: 3-300VA	PH1	16mm	56mm	24mm	24mm	5 years
 Lucci Power Rotary dimmer (on/off) no plate in black	290994	SAA220886	AS 606692.2.1:2020 AS/NZS 60669.1:2020	MFL LED Dimmable, Lucci Power LED Dimmable, LEDlux Dimmable, Made by Mayfair LED Dimmable, GE LED Dimmable, Lucci LED Dimmable	1-way compatibility only	Clip in	Rotary	Matte black and gloss black	220-240V- 50Hz 1.25A LED :3-150W; Halogen:3-300W; ELV Converter/Transformer: 3-300VA	PH1	16mm	56mm	24mm	24mm	5 years
 Lucci Power Push button dimmer no plate in white	290989	SAA220885	AS 606692.2.1:2020 AS/NZS 60669.1:2020	MFL LED Dimmable, Lucci Power LED Dimmable, LEDlux Dimmable, Made by Mayfair LED Dimmable, GE LED Dimmable, Lucci LED Dimmable	2-way compatibility Requires 291012	Clip in	Push	Matte white and gloss white. Square soft edge. Square hard edge. Round	220-240V- 50Hz LED :3-150W; Halogen:3-300W; ELV Converter/Transformer:3-300VA	PH1	3mm	48mm	22mm	22mm	5 years



Lucci Power - Switch Mechanisms

	Product	SKU	Colour	Warranty
	Lucci Power switch mechanism 32A	299116	Black	25 years
	Lucci Power switch mechanism 32A hob	299117	Black	25 years
	Lucci Power switch mechanism 32A oven	299118	Black	25 years
	Lucci Power double pole mechanism 10A	299119	Black	25 years
	Lucci Power switch mechanism 16A	299159	White	25 years
	Lucci Power switch mechanism 16A	299160	Black	25 years
	Lucci Power switch mechanism 32A	299161	White	25 years
	Lucci Power switch mechanism 32A hob	299162	White	25 years
	Lucci Power switch mechanism 32A oven	299163	White	25 years
	Lucci Power intermediate switch mechanism 10A	299164	White	25 years
	Lucci Power intermediate switch mechanism 10A	299165	Black	25 years
	Lucci Power double pole mechanism 10A	299166	White	25 years

Lucci Power - Data and Other Mechanisms

	Product	Colour	SKU	Warranty
	Lucci Power rotary fan detail	White	290918	25 years
	Lucci Power rotary fan detail	Black	290919	25 years
	Lucci Power HDMI flat ribbon cable	White	299170	25 years
	Lucci Power RJ45 CAT3 phone jack	N/A	299171	25 years
	Lucci Power TV socket F to F type	N/A	299174	25 years
	Lucci Power TV Socket F type to pal	N/A	299175	25 years
	Lucci Power CAT 5 data mechanism	N/A	299172	25 years
	Lucci Power CAT 6 data mechanism	N/A	299206	25 years
	Lucci Power double pole oven switch 45A	White	299177	25 years
	Lucci Power surface socket	N/A	299254	25 years








Lucci
Power



Lucci
Power

Lucci Power - USB Mechanisms

Product	SKU	Colour	Approval number	Compliance standards	Comptability	Width	Height	Depth	Rated operational voltage	Warranty
 Lucci Power USB A charger mechanism	299200	White	GMA-506434-EA	AS/NZS 61558	LUCCI POWER ION LUCCI POWER GRAVITY MFL AXIS MFL FORGE VYNCO METRO	24mm	43.5mm	24mm	5V DC, 2.1A	5 years
 Lucci Power USB A charger mechanism	299201	Black	GMA-506434-EA	AS/NZS 61558	LUCCI POWER ION LUCCI POWER GRAVITY MFL AXIS MFL FORGE VYNCO METRO	24mm	43.5mm	24mm	5V DC, 2.1A	5 years
 Lucci Power USB A+C adaptive charger mechanism	299280	White	SAA-231409-EA	AS/NZS 61558	LUCCI POWER ION LUCCI POWER GRAVITY MFL AXIS MFL FORGE VYNCO METRO	24mm	50mm	32mm	Single Output: USB-A or USB-C: 5V DC 3A or 9V DC 2A or 12V DC 1.5A Dual Output: USB-A and USB-C: 5V DC 3.6A	5 years
 Lucci Power USB A+C adaptive charger mechanism	299281	Black	SAA-231409-EA	AS/NZS 61558	LUCCI POWER ION LUCCI POWER GRAVITY MFL AXIS MFL FORGE VYNCO METRO	24mm	50mm	32mm	Single Output: USB-A or USB-C: 5V DC 3A or 9V DC 2A or 12V DC 1.5A Dual Output: USB-A and USB-C: 5V DC 3.6A	5 years
 Lucci Power USB A+C charger mechanism	299282	White	GMA-519376-EA	AS/NZS 61558	LUCCI POWER ION LUCCI POWER GRAVITY MFL AXIS MFL FORGE VYNCO METRO	24mm	43mm	24mm	Single output: USB-A: 5V DC 3A or 9V DC 2A or 12V DC 1.5A USB-C: 5V DC 3A or 9V DC 2.2A or 12V DC 1.67A Dual Output: USB-A and USB-C: 5V DC 3A	5 years
 Lucci Power USB A+C charger mechanism	299283	Black	GMA-519376-EA	AS/NZS 61558	LUCCI POWER ION LUCCI POWER GRAVITY MFL AXIS MFL FORGE VYNCO METRO	24mm	43mm	24mm	Single output: USB-A: 5V DC 3A or 9V DC 2A or 12V DC 1.5A USB-C: 5V DC 3A or 9V DC 2.2A or 12V DC 1.67A Dual Output: USB-A and USB-C: 5V DC 3A	5 years



Lucci Power Outdoor

Product	SKU	IP	Conduit entry points	Number of conduit entry points	Conduit entry size	Rear entry	Pole	Accessories included	Warranty
 Lucci Power 10A powerpoint in white	299154	53	2 x top 2 x bottom 1 x back	5	25mm	1 x 25mm	Single	Nil	25 years
 Lucci Power 10A twin powerpoint in white	299155	53	2 x top 2 x side 1 x bottom 1 x back	6	25mm	1 x 25mm	Single	25-20mm reducer	25 years
 Lucci Power 15A powerpoint in white	299156	54	2 x top 2 x bottom 1 x side 1 x back	7	3 x 25mm 3 x 20mm	1 x 25mm	Single	25-20 conduit reducer	25 years
 Lucci Power 1G switch in white	299157	66	2 x top 2 x bottom 1 x back	5	3 x 25mm 3 x 20mm	1 x 25mm	Single	25-20 conduit reducer	25 years
 Lucci Power 2G switch in white	299158	66	2 x top 2 x bottom 1 x back	5	3 x 25mm 3 x 20mm	1 x 25mm	Single	25-20 conduit reducer	25 years
 Lucci Power twin powerpoint + extra 10A switch in white	299035	53	2 x top 2 x side 1 x bottom 1 x back	6	6 x 25mm	1 x 25mm	Single	25-20 conduit reducer	25 years
 Lucci Power weatherproof 20A isolator in white	299152	66	1 x top 1 x bottom 2 x side 1 x back	5	2 x 20mm 2 x 25mm	1 x 25mm	Single	25-20 conduit reducer	25 years
 Lucci Power weatherproof 40A isolator in white	299153	66	2 x top 2 x bottom 1 x back	5	25mm	2 x 25mm	Single	25-20 conduit reducer	25 years
 Lucci Power weatherproof 36A isolator in white	299204	66	2 x top 2 x bottom 2 x back	6	6 x 25mm	2 x 25mm	3 single pole	25-20 conduit reducer	25 years





SENOA



SENOA

The Senoa range by Zimi redefines smart home control with a seamless blend of innovation and aesthetics. Featuring touch-sensitive glass switches in a slim, minimalist profile, Senoa enhances modern interiors with gloss, fingerprint-resistant finishes. Senoa offers smart functionality that adapts to how you live. Set schedules, control lighting remotely, and monitor energy use via the Zimi app. Compatible with major voice assistants and featuring customisable laser-engraved icons, Senoa puts intuitive control at your fingertips. Proximity lighting, auto-off timers, and multi-way switching without extra wiring make it a flexible choice for smart, thoughtful spaces.

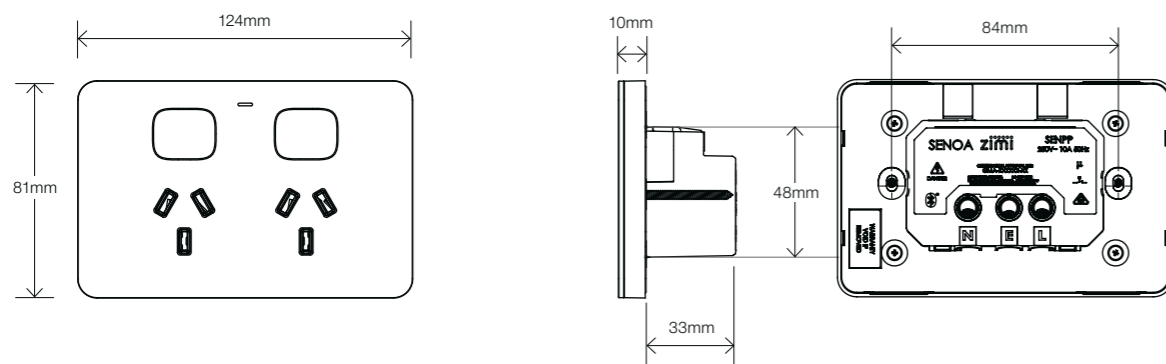


Senoa - Powerpoints



Mounting position Horizontal	Mounting centers 84mm	Mounted extension 10mm	Terminal screws PH2	Control type Touch button	Terminal capacity 4 x 2.5mm ²
Stripping length 13mm	Recessed depth 33mm	Cut-out 95mm x 54mm	Warranty 2 years	Approval number GMA-511359-EA	Compliance standard AS/NZS 3112 & AS/NZS CISPR15

			Twin Powerpoint
Colour	Material	Finish	SKU
White	Polycarbonate / Glass	Gloss	299642
Black	Polycarbonate / Glass	Gloss	299643

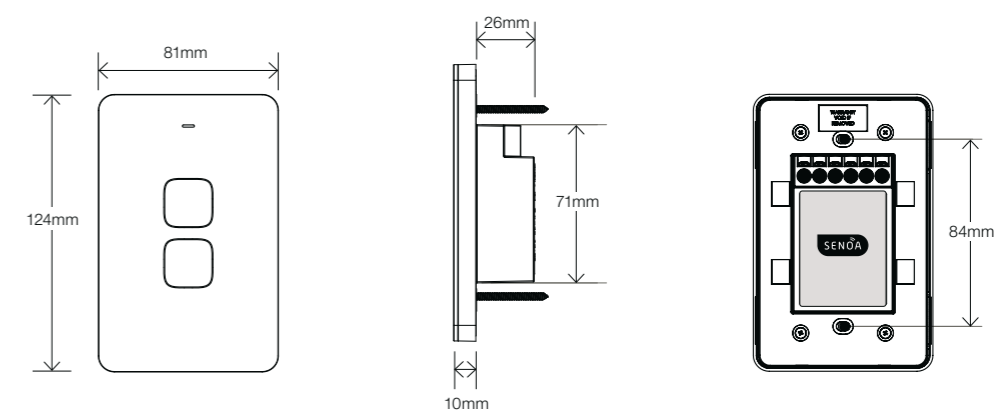


Senoa - Switches and Dimmers



Mounting position Vertical	Mounting centers 84mm	Mounted extension 10mm	Terminal screws PH2	Control type Touch button	Terminal capacity 2 x 1.5mm ²
Stripping length 13mm	Recessed depth 26mm	Cut-out 95mm x 54mm	Warranty 2 years	Approval number GMA-511368-EA	Compliance standard AS/NZ60669.2.1 & AS/NZS CISPR15

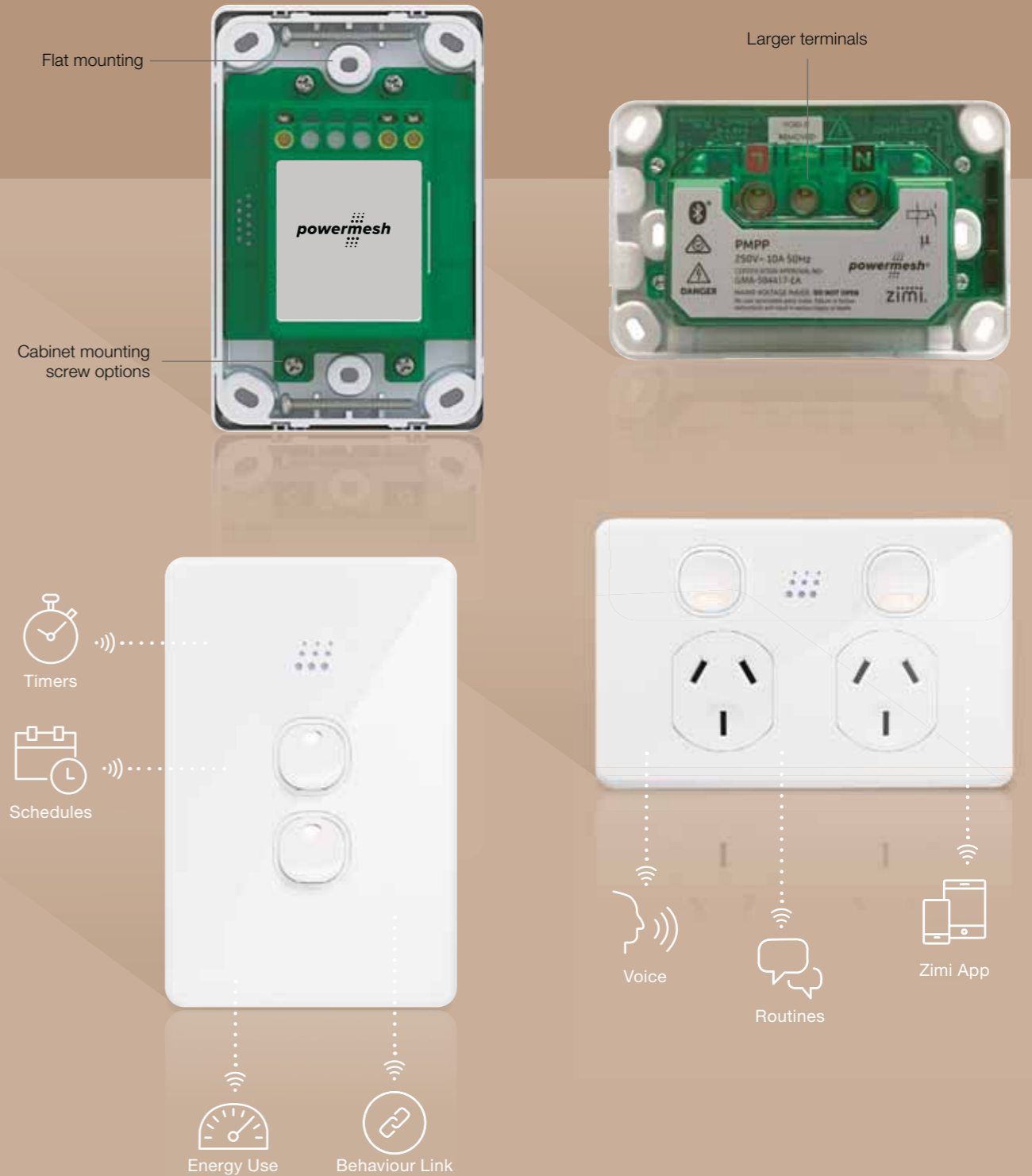
			2G switch	4G switch	6G switch (4 switch + 2 link)	2G Multi (1 dimmer + 1 switch)	4G Multi (2 dimmers + 2 switch)	6G Multi (2 dimmers + 2 switch + 2 link)
Colour	Material	Finish	SKU	SKU	SKU	SKU	SKU	SKU
White	Polycarbonate / Glass	Gloss	299630	299632	299634	299636	299638	299640
Black	Polycarbonate / Glass	Gloss	299631	299633	299635	299637	299639	299641





POWERMESH

Powermesh brings smart home convenience to your fingertips, letting you control lights, appliances, and fans with a touch, voice command or through the Zimi app. Built on a powerful mesh network, Powermesh eliminates the need for rewiring or a central hub - each device strengthens the system. It's a seamless way to future-proof your home with smarter control and intuitive design.

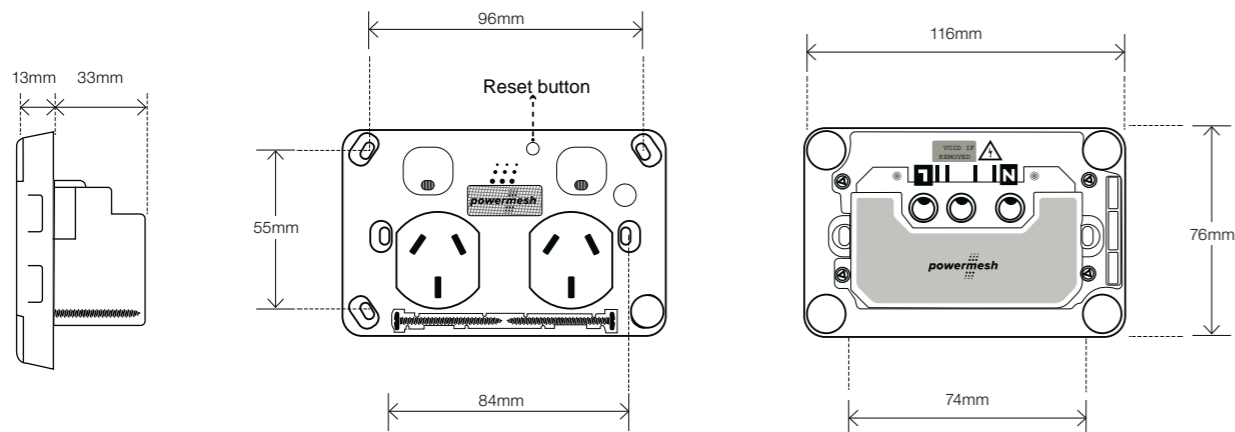


Powermesh - Powerpoints



Mounting position Horizontal	Mounting centers 84mm	Mounted extension 13mm	Terminal screws PH2	Control type Push button	Terminal capacity 4 x 2.5mm ²
Stripping length 12mm	Recessed depth 32mm	Cut-out 95mm x 54mm	Warranty 2 years	Approval number GMA-504417-EA	Compliance standard AS/NZS 3112

			Twin Powerpoint	
Colour	Material	Finish	SKU	
White	Polycarbonate	Gloss	299186	
Black	Polycarbonate	Gloss and Matte	299187	

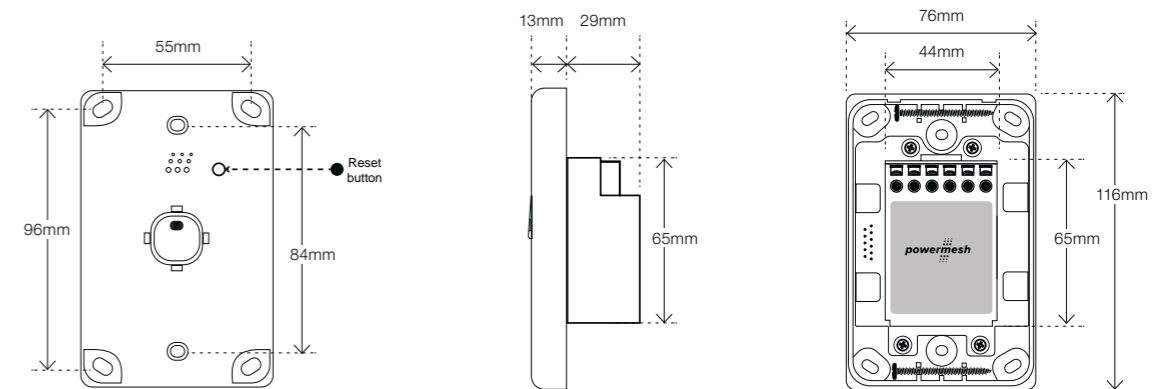


Powermesh - Switches



Mounting position Vertical	Mounting centers 84mm	Mounted extension 13mm	Terminal screws PH2	Control type Push button	Terminal capacity 2 x 1.5mm ²
Stripping length 12mm	Recessed depth 29mm	Cut-out 95mm x 54mm	Warranty 2 years	Approval number GMA-506939-EA	Compliance standard AS/NZS 60669

			Switch			
Colour	Material	Finish	1G switch	2G switch	3G switch	4G switch
White	Polycarbonate	Gloss	299188	299189	299190	299191
Black	Polycarbonate	Gloss and Matte	299192	299193	299194	299195

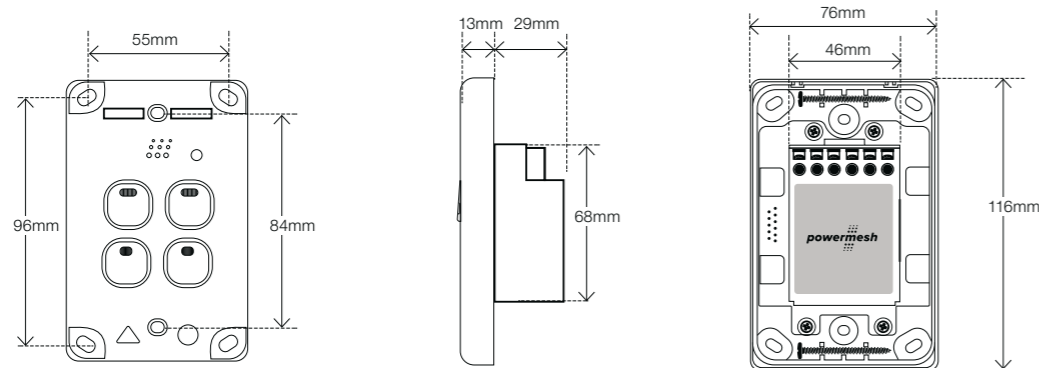


Powermesh - Dimmers & Multi



Mounting position Vertical	Mounting centers 84mm	Mounted extension 13mm	Terminal screws PH2	Control type Push button	Terminal capacity 2 x 1.5mm ²
Stripping length 12mm	Recessed depth 29mm	Cut-out 95mm x 54mm	Warranty 2 years	Approval number GMA-504509-EA	Compliance standard AS/NZS 60669

Colour	Material	Finish	1G Dimmer SKU	2G Multi (1 dimmer + 1 switch) SKU	4G Multi (2 dimmers + 2 switches) SKU
White	Polycarbonate	Gloss	299184	299273	299275
Black	Polycarbonate	Gloss and matte	299217	NA	NA



Powermesh and Zimi - Accessories

From Cloud Connect for remote access, Powermesh accessories are designed to enhance your experience. These thoughtful additions round out a fully integrated smart ecosystem - one that's as easy to live with as it is to set up. Effortlessly manage your ceiling fan speeds and lights with Powermesh's fan controller, designed to deliver the perfect setting with a single tap or voice command. Paired with Zimi, you can automate comfort based on time, temperature or personal routine - all from your phone or smart speaker.

Powermesh fan with light control in white
SKU 299196



Powermesh fan with light cover only in black
SKU: 299197



Powermesh Zimi Cloud
SKU 299183
Approval number GMA-504885-EA
Compliance standard AS/NZS 6158 AS/NZS 3112



Powermesh Garage controller kit
SKU 299199
Approval number GMA-504885-EA
Compliance standard AS/NZS 6158 AS/NZS 3112





Beacon
LIGHTING

Beacon
TRADE

SWITCHES + POWERPOINTS

beaconlighting.com.au